



FLUSHING BYPASS TEMPORARY KIT INSTRUCTIONS

POD HIU
i305 i405 i505 i605 i705
D30 D40 D50 D60

When replacing any part on this appliance, use only spare parts that you can be assured conform to the safety and performance specification that we require. Do not use reconditioned or copy parts that have not been clearly authorised by Ideal Heating.

For the very latest copy of literature for specification and maintenance practices visit our website idealheating.com where you can download the relevant information in PDF format.



This kit is suitable only for the Heat Interface Units listed below:

- | | |
|---------------------------------|-------------------------------|
| First Fix Kit POD HIU Indirect: | First Fix Kit POD HIU Direct: |
| - POD i305 | - POD D30 |
| - POD i405 | - POD D40 |
| - POD i505 | - POD D50 |
| - POD i605 | - POD D60 |
| - POD i705 | |
-

1 INTRODUCTION

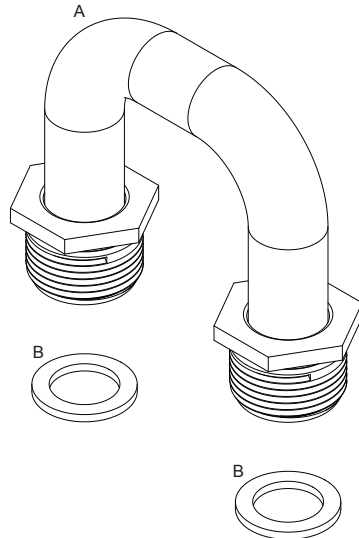
This kit provides facility to flush the primary pipework connected to the appliance as part of installation best practices. The kit can only be used without the appliance installed.

The bypass is not intended to be left permanently connected to the circuit. Alternative accessories are available for this purpose.

For guidance on flushing procedures for heat networks refer to CIBSE CP1.

2 KIT CONTENTS

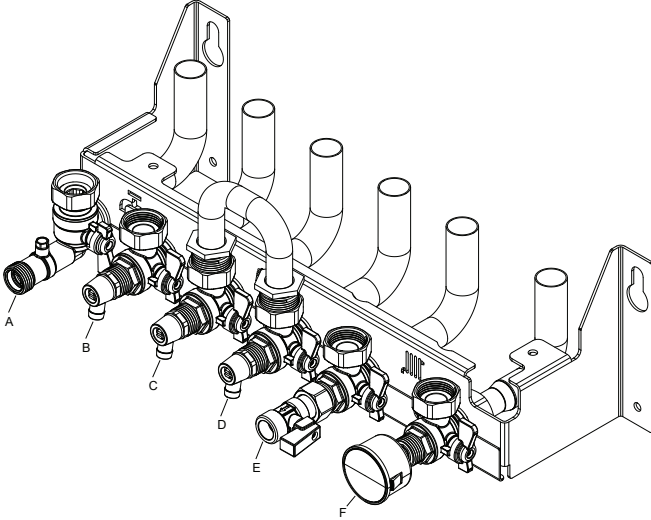
- A. Bypass Pipe.....1 off
- B. Fibre Gasket G3/42 off
- C. Instructions1 off



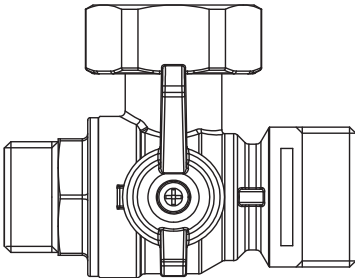
3 INSTALLATION & OPERATION

The below steps assume the appliance's bracketry, valves and pipework have been installed and tested as per the steps listed within the First Fix Kit's installation instructions.

1. Install temporary bypass pipe onto isolation valves C & D using provided gaskets as shown. Tighten connections to a torque value of 16.6 Nm.



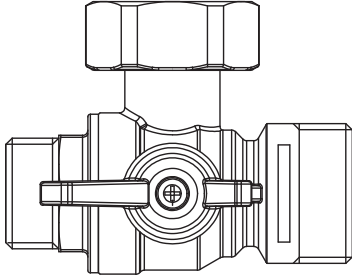
2. Open isolation valves C & D by rotating the handles to the upright position.



Valve shown open

3. Flush the circuit as required. Refer to CIBSE CP1 for best practice.

4. Close isolation valves C & D by rotating the handles to the horizontal position.



Valve shown closed

5. Taking appropriate safety precautions, de-pressurise and drain the temporary loop by opening the drain points on the front of the valve sets.
6. Loosen nuts and remove pipe. Discard fibre gaskets.
7. Continue installation of the appliance as required.

Note: If the appliance is not to be immediately installed, isolation valves must be capped to prevent subsequent contamination of the connections.

NOTES

NOTES



FM 59915
Manufactured under
an ISO 9001
registered quality
management system

Technical Training

Our Expert Academy offer a range of training options designed and delivered by our experts in Heating.
For details please contact:
expert-academy.co.uk

Ideal Boilers Ltd., pursues a policy of continuing improvement in the design and performance of its products.
The right is therefore reserved to vary specification without notice.

Ideal is a trademark of Ideal Boilers.

Registered Office

Ideal Boilers Ltd., National Avenue, Hull, East Yorkshire, HU5 4JB

Tel 01482 492251 Fax 01482 448858

Registration No. London 322 137

Ideal Commercial Technical Helpline: 01482 498376

Ideal Parts: 01482 498665

idealheating.com

ideal
HEATING