

INDIRECT TEMPLATE

USE THIS SIDE FOR MODELS i305, i405, i505, i605 & i705.
 SEE INSTALLATION INSTRUCTIONS FOR FULL DETAILS ON HANGING THE APPLIANCE.
 FOR DOWNWARD PIPING INSTALLATIONS REMOVE AND ROTATE HOSE TAILS PRIOR TO MOUNTING. REPLACE FIBRE GASKETS WITH SPARES PROVIDED.

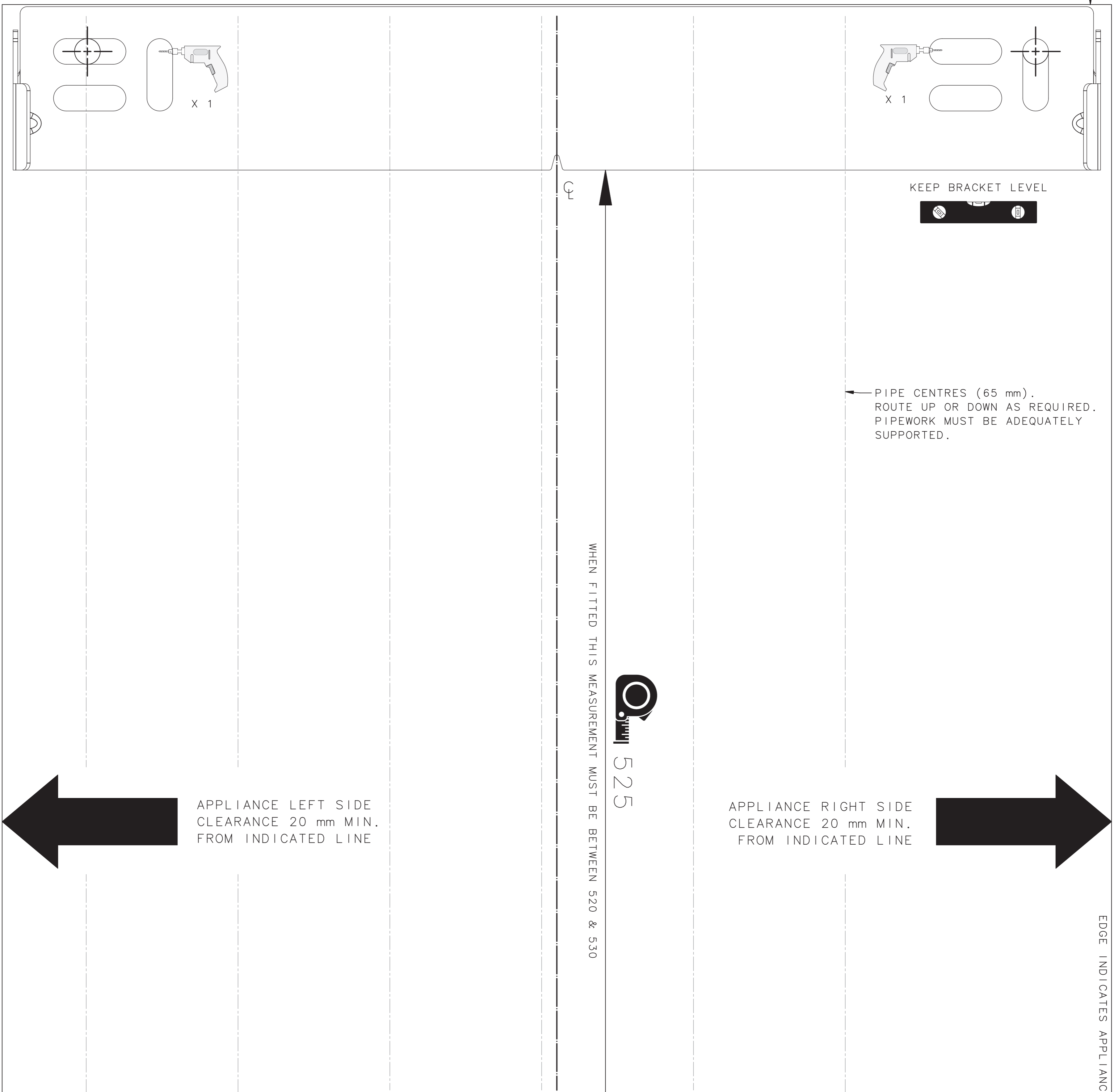
MASONRY WALL: DRILL 4 HOLES Ø12 X 70mm IN POSITIONS SHOWN (2 IN TOP BRACKET, 2 IN LOWER BRACKET).
 SECURE USING PLUGS AND SCREWS PROVIDED. NOT SUITABLE FOR SOLID BRICK.

NON MASONRY WALL: ENSURE WALL IS CAPABLE OF SUPPORTING THE WEIGHT OF THE APPLIANCE. USE SUITABLE FIXINGS. DISCARD THOSE SUPPLIED.

CHECK BRACKET POSITIONS BEFORE MOUNTING APPLIANCE.

100 MIN.
TOP CLEARANCE

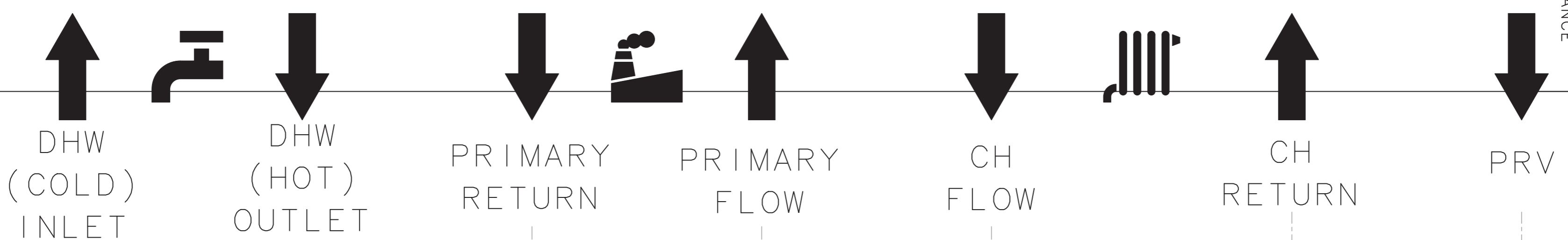
TOP



UPWARDS PIPING OPTION



DOWNWARDS PIPING OPTION



EDGE INDICATES APPLIANCE POSITION

DIRECT TEMPLATE

USE THIS SIDE FOR MODELS D30, D40, D50 & D60.
 SEE INSTALLATION INSTRUCTIONS FOR FULL DETAILS ON HANGING THE APPLIANCE.
 FOR DOWNWARD PIPING INSTALLATIONS REMOVE AND ROTATE HOSE TAILS PRIOR TO MOUNTING. REPLACE FIBRE GASKETS WITH SPARES PROVIDED.

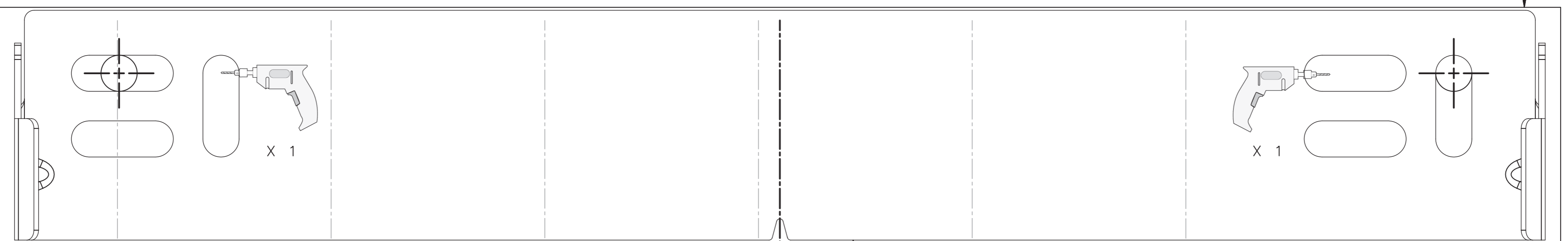
MASONRY WALL: DRILL 4 HOLES Ø12 X 70mm IN POSITIONS SHOWN (2 IN TOP BRACKET, 2 IN LOWER BRACKET).
 SECURE USING PLUGS AND SCREWS PROVIDED. NOT SUITABLE FOR SOLID BRICK.

NON MASONRY WALL: ENSURE WALL IS CAPABLE OF SUPPORTING THE WEIGHT OF THE APPLIANCE. USE SUITABLE FIXINGS. DISCARD THOSE SUPPLIED.

CHECK BRACKET POSITIONS BEFORE MOUNTING APPLIANCE.

TOP CLEARANCE
100 MIN.

TOP

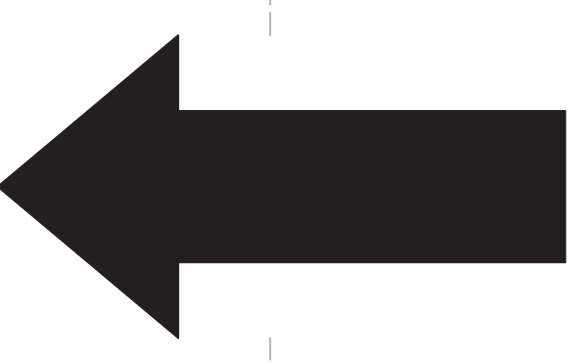


KEEP BRACKET LEVEL

PIPE CENTRES.
 ROUTE UP OR DOWN AS REQUIRED.
 PIPEWORK MUST BE ADEQUATELY SUPPORTED.

FOLD

FOLD

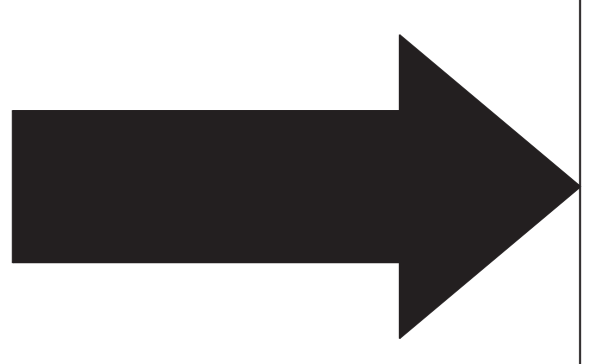


APPLIANCE LEFT SIDE
 CLEARANCE 20 mm MIN.
 FROM INDICATED LINE

WHEN FITTED THIS MEASUREMENT MUST BE BETWEEN 520 & 530



APPLIANCE RIGHT SIDE
 CLEARANCE 20 mm MIN.
 FROM INDICATED LINE

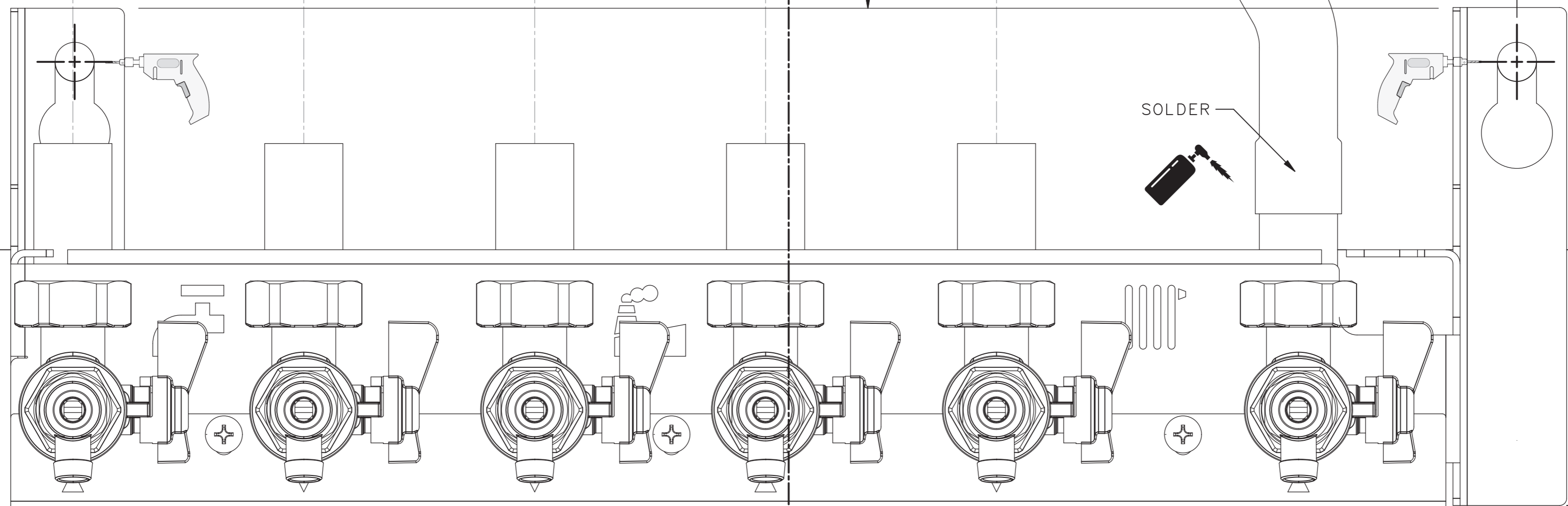


EDGE INDICATES APPLIANCE POSITION

UPWARDS PIPING OPTION



205



SOLDER

KEEP BRACKET LEVEL

BOTTOM CLEARANCE
80 MIN.

DHW
 (COLD)
 INLET

DHW
 (HOT)
 OUTLET

PRIMARY
 RETURN

PRIMARY
 FLOW

CH
 FLOW

CH
 RETURN

DOWNWARDS PIPING OPTION

FOLD

FOLD

FOLD

FOLD