

users

Concord ESi 140 - 380

Your Ideal users guide

300014513-001-A

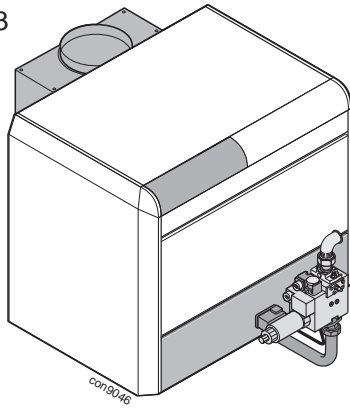
When replacing any part on this appliance, use only spare parts that you can be assured conform to the safety and performance specification that we require. Do not use reconditioned or copy parts that have not been clearly authorised by Ideal Boilers.

i BOILERS *Ideal*
The High Efficiency Pioneers

Concord ESi

Destination Countries: GB, IE

PI No. 0085 BS 0023



Maintenance

The appliance should be serviced at least once a year by a CORGI registered installer.

Electricity Supply

The appliance must be earthed.
Supply 230 V - 50 Hz.

Important Notes

- Do not store objects around or on the boiler, and keep access clear at all times.
- Do not obstruct ventilation ducts, grilles or openings in the boiler room or the passage of combustion and ventilation air to the boiler.
- Do not turn off the boiler if it is to be left unattended in frosty weather.
- If it is known or suspected that a fault exists on the boiler then it **MUST NOT BE USED** until the fault has been corrected by a recognised installer (CORGI registered for gas-fired boilers).
- Flammable materials must not be placed in close proximity to the appliance. Materials giving off flammable vapours must not be stored in the same room as the appliance.

In cases of repeated or continuous shutdown, a recognised installer (CORGI registered for gas-fired boilers) should be called to investigate and rectify the condition causing this and carry out an operational test after each intervention on the device. Only the manufacturer's original parts should be used for replacement.

Minimum Clearances

Clearances of 500mm (20") at the rear, 400mm (16") on the water connection side (left or right), 200mm (8") on the other side and 1000mm (40") at the front of the boiler casing must be allowed for servicing.

INTRODUCTION

The **Concord ESi** is a floor-standing boiler featuring full sequence automatic gas burner.

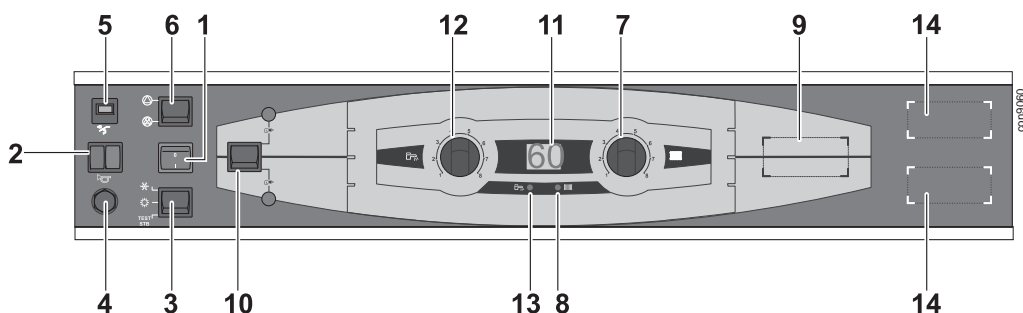
SAFETY

It is essential that the instructions in this booklet are strictly followed, for safe and economical operation of the boiler.

Current Gas Safety (Installation & Use) Regulations or rules in force.

In your own interest, and that of safety, it is the law that this boiler must be installed and maintained by a CORGI registered installer, in accordance with the above regulations.

1 BOILER CONTROLS



- 1. General ON (1) / OFF (0) switch**
- 2. Burner alarm indicator + Reset button**
This light comes on when the safety control box is in safety lockout (out of order).
- 3. Switch Test-STB / ❄️ / ☀️**
❄️: Heating and domestic hot water are in operation (Winter)
☀️: Only domestic hot water is in operation (Summer)
Position **TEST-STB**: Temporary action to test the safety thermostat.
- 4. Safety thermostat with manual reset**
Set at 110°C
- 5. Timed circuit breaker (4 A)**
- 6. Pump shutdown switch**
- 7. Electronic thermostat (30°C and 90°C)**
- 8. "Heating" on light**
- 9. Location for flue gas thermometer (optional)**
- 10. Switch for selecting the number of burner stages (2-stage boilers)**
- 11. Digital display**
Light 8 lit: Boiler temperature display
Light 13 lit: Domestic hot water display
- WHEN SUPPLYING DOMESTIC HOT WATER**
- 12. Electronic thermostat (10 TO 80°C)**
- 13. "Domestic hot water" on light**
- 14. Location for hour run meter (option)**

2 CONTROL OF WATER TEMPERATURES

The water temperature may be controlled by the following control settings:

	Ctrl. Position	Approx. Temp.
1. Boiler flow temperature (CH)	3 to 9	30°C to 90°C
2. DHW (boilers fitted with DHW sensor)	1 to 8	10°C to 80°C

Note.



In DHW mode the boiler flow temperature will automatically be controlled by the DHW temperature limiter.

Settings below positions 4 (CH) and 6 (DHW) are NOT RECOMMENDED.

TO LIGHT THE BOILER

Before turning the boiler on, make sure that the installation is filled with water.

Carry out the start-up operations in the order indicated below (Refer to Frame 1 for Identification):

- Check electrical supply to the boiler is OFF.
- Open the main gas shut-off valve.
- Press and release the safety control box (2) reset button.
- Set the Summer / Winter switch (3) to the "Winter" ❄️ position.
- Press and release the safety thermostat button (4) (under the cap).
- Set the pump shutdown switch (6) to .
- Set the boiler thermostat (7) to the desired setting. Ensure all system controls are calling for heat.
- If the boiler provides DHW also, set the DHW thermostat (12) to the desired setting (6 recommended).
- Switch on the electricity supply to the boiler.
- Set the ON/OFF switch (1) to the "ON"  position.
- The ignition burner will light followed by the main burner.
- If it does not light the red alarm indicator (2) lights up. Press in and release the reset button (2). The controls will reset and attempt to light.

3 DISPLAY FEATURES

MESSAGES - ALARMS The display may show the following messages in the case of a malfunction:

Message	Failure	Component	Probable Cause	Remedy	Notes
<i>RL50</i>	Installation stops	Boiler sensor	The corresponding sensor circuit is interrupted or is short circuited	Inform the installer	<i>If the power supply is interrupted with an RL52 alarm and no corrective action is taken then, when the power is resumed, the boiler will restart but continue to operate in a CH mode only and alarm RL50 will NOT be displayed.</i>
<i>RL52</i>	Installation continues to operate but DHW no longer heated	DHW sensor			
<i>RLtd</i>	No DHW	AD212 kit connector	The calorifier is empty or incorrectly fitted AD212 kit connector	Fill the calorifier or check connector is properly fitted.	The DHW may be reactivated for 24 hours by disconnecting and reconnecting the power supply to the boiler. Check that the connector supplied in the AD 212 kit (DHW Sensor), which has a 22k Ohm resistance and a 100nF capacitor fitted, is correctly connected to terminals 25 and 26.
<i>RLtc</i>				Check that there is no short circuit or the connections are made correctly	

Boiler not operating:

- Check boiler thermostat settings (7 and 12).
- Check safety thermostat (4), reset.*
- Check burner alarm (2), reset.*
- Check circuit breaker (5), reset.*

* Call engineer if repeat malfunction.

CAUTION. To avoid the possibility of injury during the use or cleaning of this appliance care should be taken when handling edges of sheet steel components.

To Shut Down the Boiler

1. For short periods

Set the boiler on/off switch (1) to OFF.

2. For longer periods

Set the boiler on/off switch (1) to OFF, wait 10 minutes then switch the electricity supply to OFF. For longer periods the entire system should be drained, including the domestic hot water supply.

To Relight the Boiler

Refill the system if it has been drained, taking care to ensure no air is in the boiler or system.

Repeat the procedure detailed in 'To light the boiler'.

Frost Protection

If frost is likely, leave the boiler thermostat at a reduced temperature setting. Ensure external controls allow the boiler to operate if necessary. Note that this may not protect remote parts of the system, in which case a separate frost thermostat should be fitted or the system drained and the boiler shut down, as for Long Periods.

Boiler Overheat Thermostat

Boiler overheating is detected by the overheat thermostat connected to the boiler control module. If the boiler overheats, it will shut down the burner but the circulating pump will continue to run. The display may show *HL 50* until the water cools. Press the safety thermostat reset button, under the screw top cap (4), and the burner will relight. If the fault recurs, turn off the boiler and consult a recognised installer (CORGI registered for gas-fired boilers.)

Escape of Gas

Should a gas leak or fault be suspected contact your local gas supplier without delay.

Do NOT search for gas leaks with a naked flame.

Cleaning

For normal cleaning simply dust with a dry cloth.

To remove stubborn marks and stains use a damp cloth and mild detergent.

DO NOT use abrasive cleaning materials.

Ideal Stelrad Group pursues a policy of continuing improvement in the design and performance of its products. The right is therefore reserved to vary specification without notice.

Ideal Boilers, P.O. Box 103, National Ave, Kingston upon Hull, HU5 4JN. Telephone: 01482 492 251 Fax: 01482 448 858. Registration No. London 322 137.

i BOILERS
Ideal

The High Efficiency Pioneers

November 2007

204041 A01



Ideal Stelrad Group

Ideal Consumer Helpline Tel: 01482 498 376

www.idealboilers.com