

THE IDEAL USER'S GUIDE



*Concord
CXS 40 - 120*

i Ideal BOILERS

CAUTION. To avoid the possibility of injury during the use or cleaning of this appliance care should be taken when handling edges of sheet steel components.

ALL MODELS

THE GAS SAFETY (INSTALLATION AND USE) REGULATIONS 1994 impose certain statutory obligations on gas users. This appliance must be installed by a Corgi registered installer.

1. It is **ESSENTIAL** that the instructions in this booklet are strictly followed, for safe, economical operation of the boiler.
2. Do not obstruct ventilation ducts, grilles or openings in the boiler room, or the passage of combustion and ventilation air to the boiler.
3. Do not store objects around or on the boiler, and keep access clear at all times.
4. Switch off and disconnect the electricity supply before carrying out maintenance work.
5. Do not turn off the boiler if it is to be left unattended in frosty weather.

MAINTENANCE

The appliance should be serviced at least once a year by a CORGI registered installer.

WARNING.

This appliance **MUST** be efficiently earthed

CLEANING

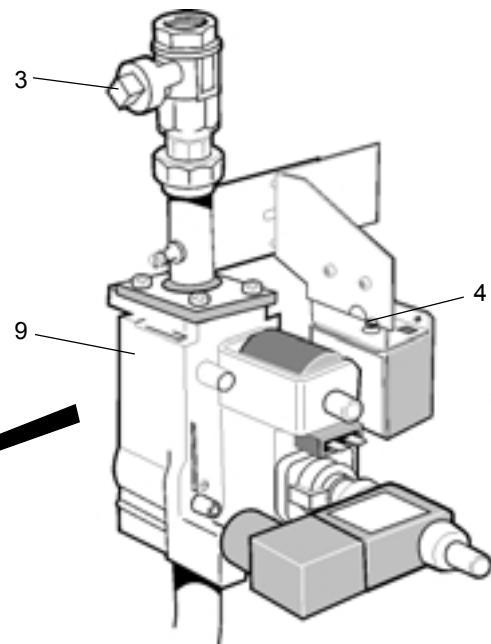
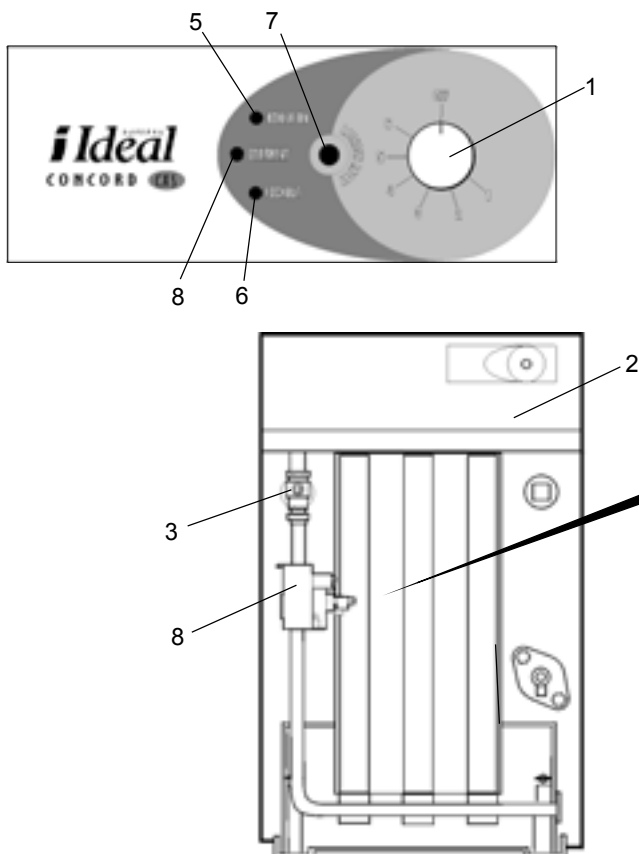
For normal cleaning simply dust with a dry cloth.

To remove stubborn marks and stains use a damp cloth and mild detergent.

DO NOT use abrasive cleaning materials.

Knob setting setting	Approx flow temp °C	Approx flow temp °F
1	60	140
2	65	149
3	70	158
4	75	167
5	80	176
6	85	185

CONCORD CXS 40 - 90 models only



LEGEND

- | | |
|-------------------------------------|-------------------------|
| 1. Thermostat knob | 5. Boiler on light |
| 2. Control box | 6. Lockout light |
| 3. Mains inlet gas cock | 7. Lockout reset button |
| 4. Overheat thermostat reset button | 8. Overheat light |
| | 9. Gas control valve |

TO LIGHT THE BOILER

1. Check that the boiler thermostat knob (1) on the control box (2) is OFF.
2. Ensure that the mains gas inlet cock (3) is open (groove in the square head in line with the gas pipe).
3. Press in and release the overheat thermostat button (4).
4. Switch on the electrical supply to the boiler.
5. Ensure that all system controls (time switch, system controls etc.) are calling for heat.
6. Turn the boiler thermostat knob (1) to position 6.

7. The boiler will light at Low rate and the Boiler-on light (5) will be illuminated. If it does not light the Lockout light (6) will be illuminated. Press in and release the Lockout button (7). The controls will reset and attempt to relight.
8. The burner will remain at Low rate for about 3 minutes before going to High rate.
9. Check all connections for gas soundness, using leak detection fluid.
10. Set the boiler thermostat knob and the system controls to the required settings.
11. Turn off the electrical supply to the boiler.

TO SHUT DOWN THE BOILER

For short periods

Turn the boiler off at the time clock or system controls. Wait 6 min. and then turn the boiler control thermostat knob (1) to OFF. Note the frost warning below.

For long periods

Turn the boiler off at the time clock or system controls. Wait for 6 min. and then turn the boiler control thermostat knob (1) to OFF. Note the frost warning below.

TO RELIGHT THE BOILER

After short periods

Switch on the time switch or system controls and turn boiler thermostat knob (1) to the required setting. The boiler will light providing the external controls are calling for heat.

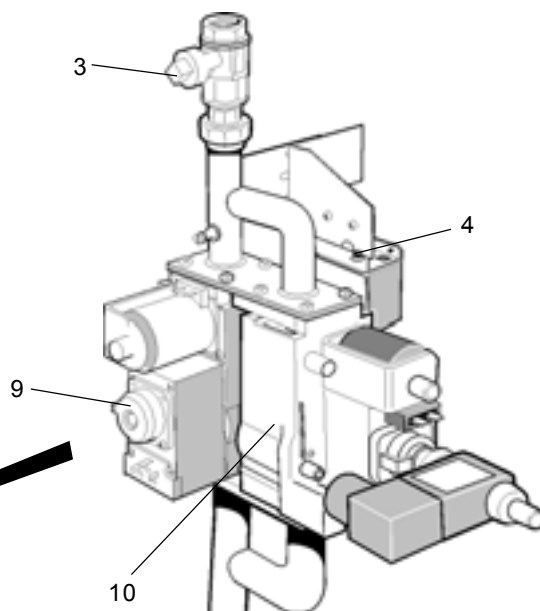
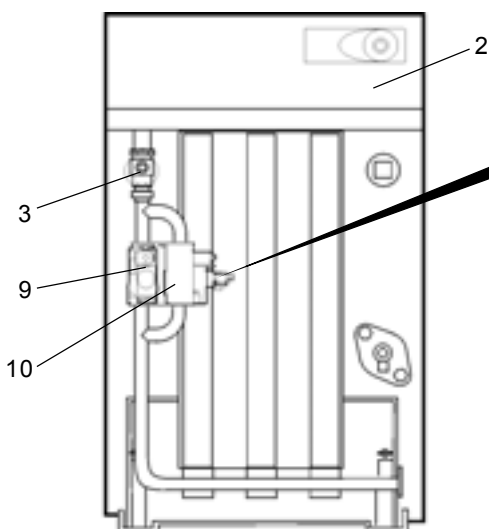
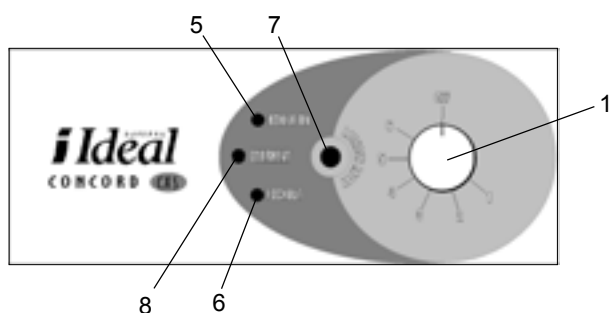
After long periods

Follow the lighting instructions above. Refill the system if it has been drained.

FROST WARNING

If frost is likely, leave the boiler thermostat at position 6 and do not turn off the gas cock. This will enable the built-in frost thermostat to protect the boiler. Note that this may not protect remote parts of the system, in which case a separate frost thermostat should be fitted or the system drained and the boiler shut down for as for long periods.

CONCORD CXS 100 - 120 models only



LEGEND

- | | |
|-------------------------------------|--------------------------|
| 1. Thermostat knob | 5. Boiler on light |
| 2. Control box | 6. Lockout light |
| 3. Mains inlet gas cock | 7. Lockout reset button |
| 4. Overheat thermostat reset button | 8. Overheat light |
| | 9. LH Gas control valve |
| | 10. RH Gas control valve |

Caradon Plumbing Limited, P.O. Box 103, National Ave, Kingston upon Hull, HU5 4JN. Telephone: 01482 492 251 Fax: 01482 448 858. Registration No. London 322 137. Registered Office: National Avenue, Kingston upon Hull, HU5 4JN. *A subsidiary of Caradon plc*

Technical Training

The Caradon Plumbing Limited Technical Training Centre offers a series of first class training courses for domestic, commercial and industrial heating installers, engineers and system specifiers.

For details of courses please ring: 01270 413 624

Caradon Plumbing Limited pursues a policy of continuing improvement in the design and performance of its products. The right is therefore reserved to vary specification without notice.

April 2000

154 871 A01

***i* Ideal** BOILERS

Ideal Installer/Technical Helpline: 01482 498376