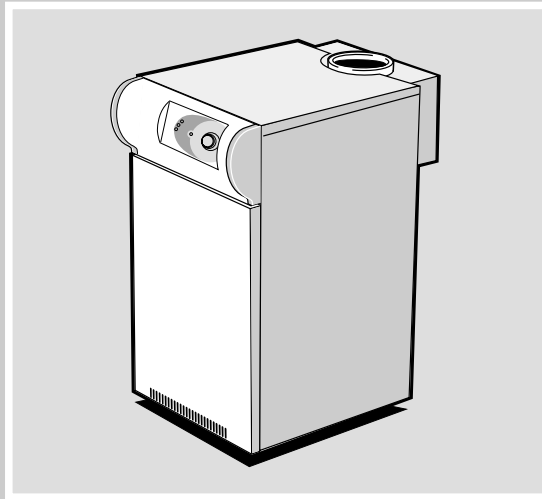


THE IDEAL USER'S GUIDE



Concord
CXAP 40/H-100/H

i **Ideal** BOILERS

CAUTION. To avoid the possibility of injury during the use or cleaning of this appliance care should be taken when handling edges of sheet steel components.

ALL MODELS

THE GAS SAFETY (INSTALLATION & USE) REGULATIONS OR RULES IN FORCE impose certain statutory obligations on gas users. This appliance must be installed by a CORGI registered installer.

WARNING.

This appliance **MUST** be efficiently earthed.

1. It is **ESSENTIAL** that the instructions in this booklet are strictly followed, for safe, economical operation of the boiler.
2. Do not obstruct ventilation ducts, grilles or openings in the boiler room, or the passage of combustion and ventilation air to the boiler.
3. Do not store objects around or on the boiler, and keep access clear at all times.
4. Switch off and disconnect the electricity supply before carrying out maintenance work.
5. Do not turn off the boiler if it is to be left unattended in frosty weather.

MAINTENANCE

The appliance should be serviced at least once a year by a CORGI registered installer.

CLEANING

For normal cleaning simply dust with a dry cloth.

To remove stubborn marks and stains use a damp cloth and mild detergent.

DO NOT use abrasive cleaning materials.

CHANGING CYLINDERS

- a. Ensure that the replacement cylinder is the correct one for the installation.
- b. Extinguish any fire, flame or source of ignition (including cigarettes, pipes and pilot lights) before changing the gas cylinder.
- c. Change cylinders with caution.
- d. Ensure that the gas cylinder valve(s) is/are closed before disconnecting an empty cylinder or before removing any plastic cap or plug on the outlet connection of the replacement cylinder.
Never use tools on cylinder valves, hand wheels or levers.

Note. Cylinders with threaded connections have a LH thread. For cylinders with self-sealing clip-on valves, ensure that the regulator cap is closed before disconnection.

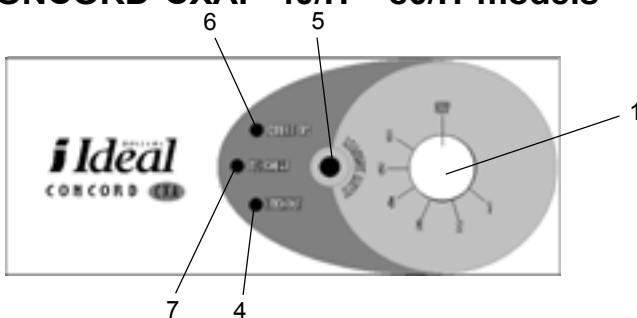
- e. Ensure that the replacement cylinder connections are gastight. Any leaking vapour will have a distinctive odour. Test for leaks, using leak detection fluid.

NEVER USE A NAKED FLAME

- f. It is essential that the correct pressure regulator, with the correct pressure setting and capacity for the installation, be used in accordance with the manufacturers instructions.
- g. In the case of a pressure regulator or a gas appliance which relies upon a sealing washer to maintain a gastight joint, it is essential to check that the washer is present and that it is sound and correctly positioned prior to making the connection.
- h. Where connections are designed to be tightened with a spanner, it is essential that a spanner of the correct size is used and that the union is firm - hand tightness is not sufficient.

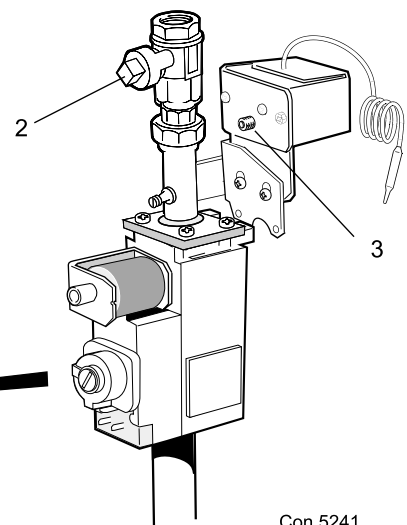
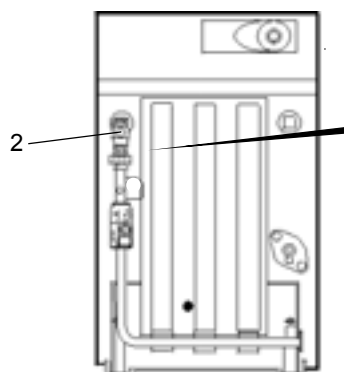
When self sealing valves are incorporated in a gas cylinder, connections should be made in accordance with the manufacturer's instructions and tools should not be used.

CONCORD CXAP 40/H - 80/H models



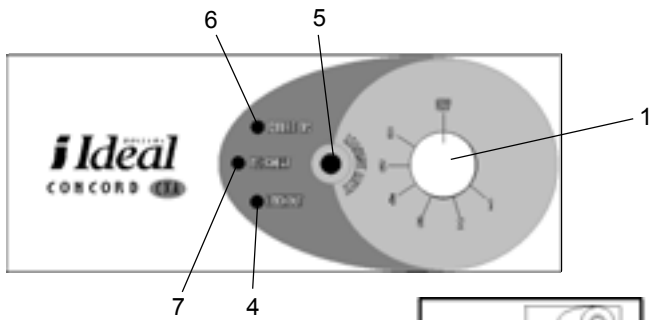
LEGEND

1. Thermostat knob.
2. Mains gas inlet cock.
3. Overheat thermostat button.
4. Lockout light.
5. Lockout reset button.
6. Burner on light.
7. Overheat light



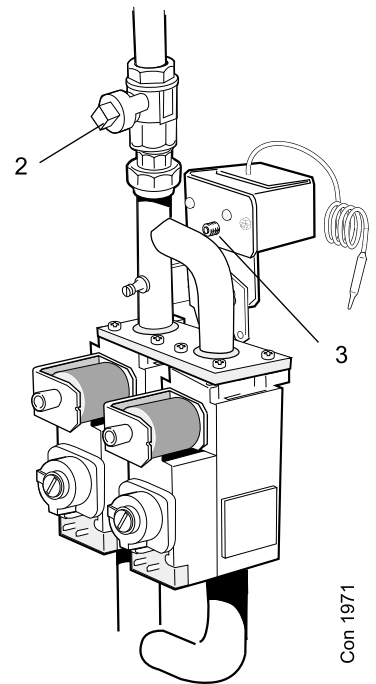
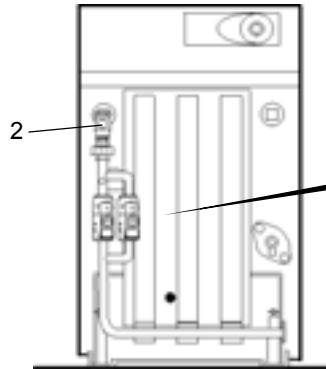
Con 5241

CONCORD CXAP 90/H - 100/H models



LEGEND

1. Thermostat knob.
2. Mains gas inlet cock.
3. Overheat thermostat button.
4. Lockout light.
5. Lockout reset button.
6. Burner on light.
7. Overheat light



Con 1971

ALL MODELS

TO LIGHT THE BOILER

1. Check that the boiler thermostat knob (1) on the control box is OFF.
2. Ensure that the mains gas inlet cock (2) is open (groove in the square head in line with the gas pipe).
3. Press in the overheat thermostat button (3).
4. Switch on the electrical supply to the boiler.
5. Ensure all system controls (time switch, system controls etc.) are calling for heat.
6. Turn the boiler thermostat knob (1) to position 6.
7. If the boiler does not light at the end of the ignition period the Lockout light (4) on the control box will be illuminated. Press in and release the Lockout reset button (5). The controls will reset and after a period of time will attempt to relight.
8. Once the pilot has lit the controls open the main gas valves, the main burners will light and the Burner On light (6) will be illuminated.
9. Set all system controls to the required settings.
10. Set the boiler thermostat knob (1) to the required setting.

CONTROL PANEL LIGHTS

1. The Boiler On light (6) is illuminated while the boiler is firing.
2. If the Overheat light (7) is lit, pull off the casing lower front panel and press in the overheat reset button (3). Replace the lower front panel and follow the boiler lighting instructions above. If the overheat condition persists consult a CORGI registered installer.
3. If the Lockout light (4) is lit press in the Lockout reset button (5). If the lockout condition persists consult a CORGI registered installer.

TO SHUT DOWN THE BOILER

For short periods

Turn the boiler off at the time clock or system controls. Wait for 6 minutes and then turn the boiler control thermostat knob (1) to OFF. **Note the frost warning below.**

For long periods

Turn the boiler off at the time clock or system controls. Wait for 6 minutes and then turn the boiler control thermostat knob (1) to OFF. Turn off the inlet gas cock (groove in the square head across the line of the gas pipe). **Note the frost warning below.**

TO RELIGHT THE BOILER

After short periods

Switch on the time switch or system controls and turn boiler thermostat knob (1) to the required setting. The boiler will light providing the external controls are calling for heat.

After long periods

Refill the system if it has been drained. Follow the lighting instructions above.

FROST WARNING

If frost is likely, leave the boiler thermostat at position 6 and **do not** turn off the gas cock. This will enable the built-in frost thermostat to protect the boiler. Note that this may not protect remote parts of the system, in which case a separate frost thermostat should be fitted or the system drained and the boiler shut down for as for "Long Periods".

Knob setting	Approx flow temp °C	Approx flow temp °F
1	60	140
2	64	147
3	69	156
4	73	163
5	77	171
6	82	180

EMERGENCY ACTION

GAS LEAK

(usually detected by a distinctive smell)

Do NOT use electrical switches

DO NOT look for a leak with a naked flame

IMMEDIATE ACTION:

- CLOSE all supply valves.
- EXTINGUISH all sources of ignition.
- Open all doors and windows.
- If leakage cannot be stopped REMOVE CYLINDERS to a safe place in the open air and advise the supplier. If this is not possible, evacuate the premises and call the fire brigade.
- Do not use the installation until it has been checked by a CORGI registered installer.

EMERGENCY ACTION

FIRE

IMMEDIATE ACTION:

IF SAFE TO DO SO, SHUT OFF GAS SUPPLY

Do not attempt to extinguish the flames by any other means.

Raise the alarm and call the fire brigade stating that a liquified petroleum gas cylinder is involved, and give its location.

DO NOT GO NEAR THE CYLINDER if a cylinder is being heated by fire.

ALERT EVERYONE in the immediate area of the fire and evacuate the building.

ADVISE THE FIRE BRIGADE on their ARRIVAL of the LOCATION of the cylinder.

If a cylinder is not involved in the fire and it is **SAFE TO DO SO**, close all cylinder valves and remove the cylinder to a safe place.

Ideal Boilers, P.O. Box 103, National Ave, Kingston upon Hull, HU5 4JN. Telephone: 01482 492 251 Fax: 01482 448 858. Registration No. London 322 137.

Caradon Ideal Limited pursues a policy of continuing improvement in the design and performance of its products. The right is therefore reserved to vary specification without notice.



i Ideal BOILERS

January 2002

UIN 157299 A02

Caradon
Ideal Limited

Ideal Installer/Technical Helpline: 01482 498 376

www.idealboilers.com