



QAA55 ROOM THERMOSTAT KIT INSTRUCTIONS

IMAX XTRA 2
80 120 160 200 240 280
80P 120P 160P 200P 240P

When replacing any part on this appliance, use only spare parts that you can be assured conform to the safety and performance specification that we require. Do not use reconditioned or copy parts that have not been clearly authorised by Ideal Heating.

For the very latest copy of literature for specification and maintenance practices visit our website idealheating.com where you can download the relevant information in PDF format.



INSTRUCTIONS

CONTENTS

1.1	Introduction.....	2	1.4	Connecting the QAA55 Room Thermostat - 1.....	4
1.2	QAA55 Room Thermostat Kit Parts.....	2	1.5	Connecting the QAA55 Room Thermostat - 2.....	5
1.3	Fitting the QAA55 Room Thermostat	3	1.6	Connecting the QAA55 Room Thermostat - 3.....	6

1.1 INTRODUCTION

The following document provides instructions on how to fit a QAA55 Room Thermostat.

This allows temperature setting of individual heating zones, up to a maximum of three zones using the **QAA55 Kit**.

Please refer to the installation and servicing manual for guidance on adding the additional heat zones.

1.2 QAA55 ROOM THERMOSTAT KIT PARTS

The kits consist of the following parts:

1. QAA Room Thermostat – UIN 533901589
Shown in Fig. 1.
2. Room Sensors Connector Kit - Shown in Fig. 2.

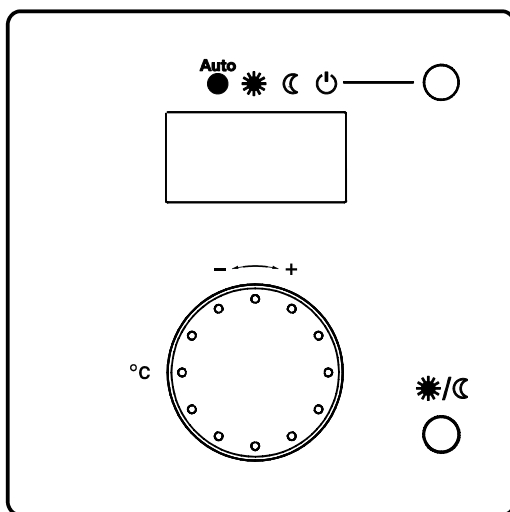


Fig. 1

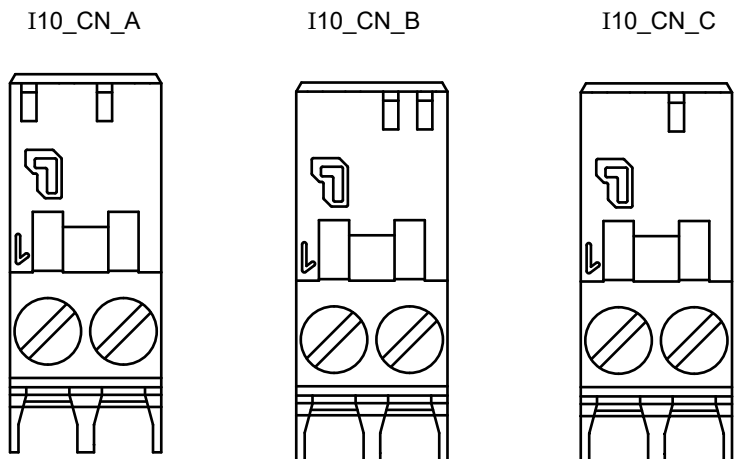


Fig. 2

INSTRUCTIONS

1.3 FITTING THE QAA55 ROOM THERMOSTAT

The room thermostat should be installed approximately 1.5m high on a wall located in the space to be heated.

Avoid locations affected by draughts created by windows / doors, or heating effects created by independent heaters.

A room thermostat must not be fitted to an area where radiators are controlled by TRV's fitted on the radiators.

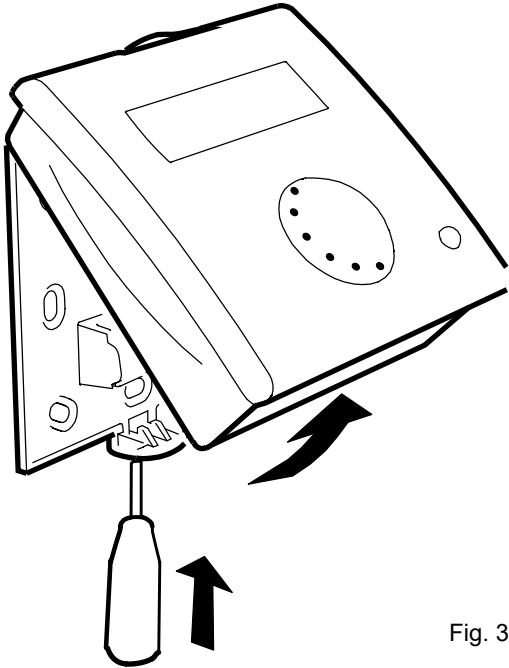


Fig. 3

Use a small flat bladed screwdriver to remove the room thermostat cover as shown in Fig.3

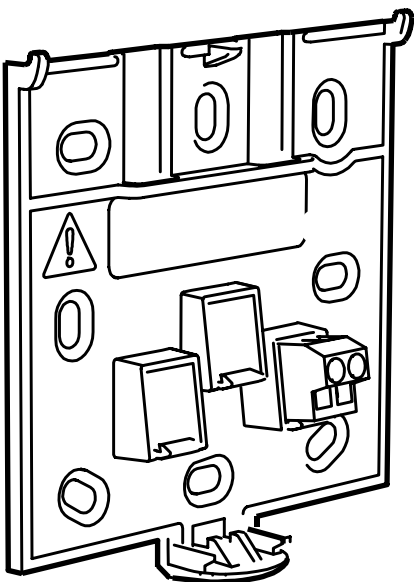


Fig. 4

For rear entry, route the cable through the rear prior to fixing to the wall.

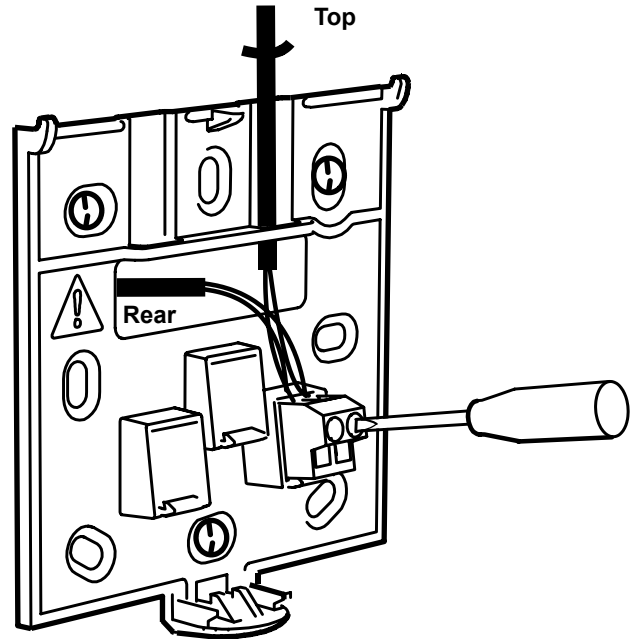


Fig. 5

Feed the 2-wire cable through the rear, or the top, of the back plate and connect the wiring as follows:

1. Connect the red wire to pin 1 of connector (CL+ BSB Data)
2. Connect the black wire to pin 2 of connector (CL- BSB Ground)

These connections are shown Fig.5.

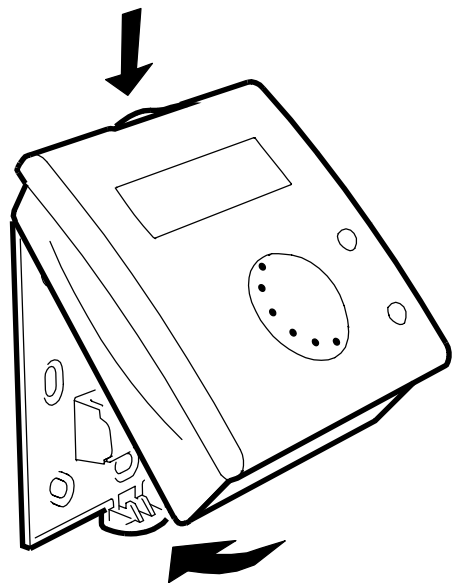


Fig. 6

Use a minimum of 2 screws (not supplied) to fix the Room Thermostat back plate to the wall, as shown in Fig.4.

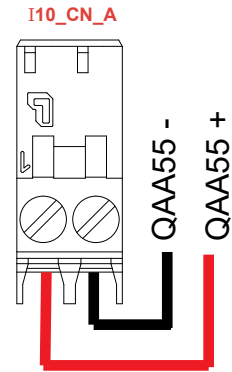
Place the cover back onto the back plate, as shown in Fig.6.

INSTRUCTIONS

1.4 CONNECTING THE QAA55 ROOM THERMOSTAT _1

Refer to the boiler manual for cable routing into the boiler. Secure the cables with existing cable retention clamps or cable tie slots that are on the boiler main control panel. Ensure that isolation is maintained relative to 240V wiring. Configuration of the Room Thermostat to the boiler occurs during the configuration process described within the boiler manual.

1. Connect the CL+ BSB Data red wire to pin 1 of connector I10_CN_A
2. Connect the CL- BSB Ground black wire to pin 2 of connector I10_CN_A.



These connections are shown Fig.7.

Insert connector I10_CN_A into Installer connector I10A, as shown in Fig.8.

Fig. 7

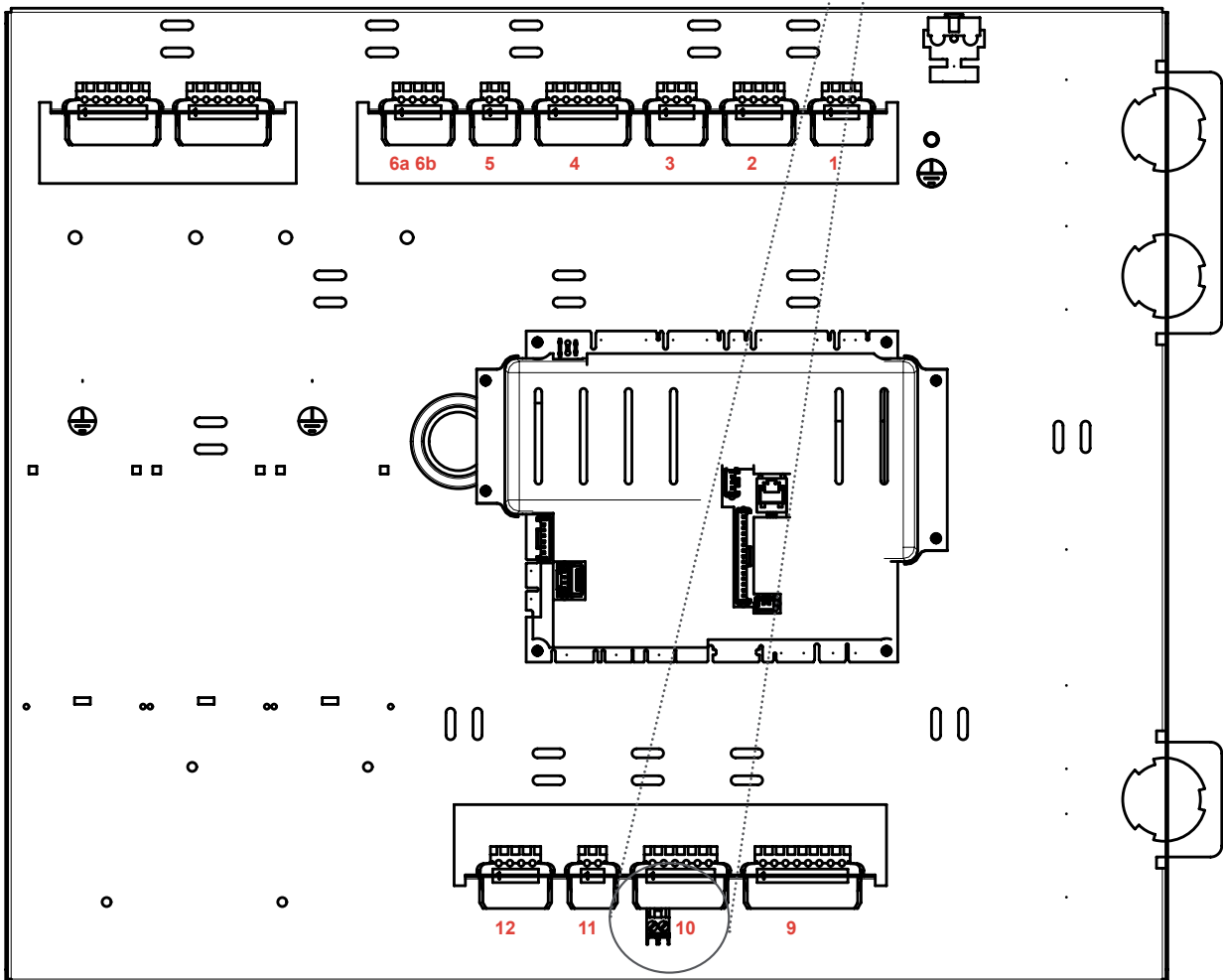


Fig. 8

INSTRUCTIONS

1.5 CONNECTING THE QAA55 ROOM THERMOSTAT _ 2

Refer to the boiler manual for cable routing into the boiler. Secure the cables with existing cable retention clamps or cable tie slots that are on the boiler main control panel. Ensure that isolation is maintained relative to 240V wiring. Configuration of the Room Thermostat to the boiler occurs during the configuration process described within the boiler manual.

If the QAA55 Room Thermostat is required to run heating zone 2 connect the wiring to I10_CN_B as follows:

1. Connect the CL+ BSB Data red wire to pin 1 of connector I10_CN_B
2. Connect the CL- BSB Ground black wire to pin 2 of connector I10_CN_B

These connections are shown Fig.9.

Insert connector I10_CN_B into Installer connector I10B, as shown in Fig.10.

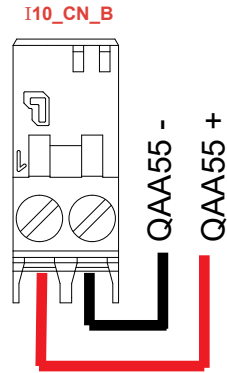


Fig. 9

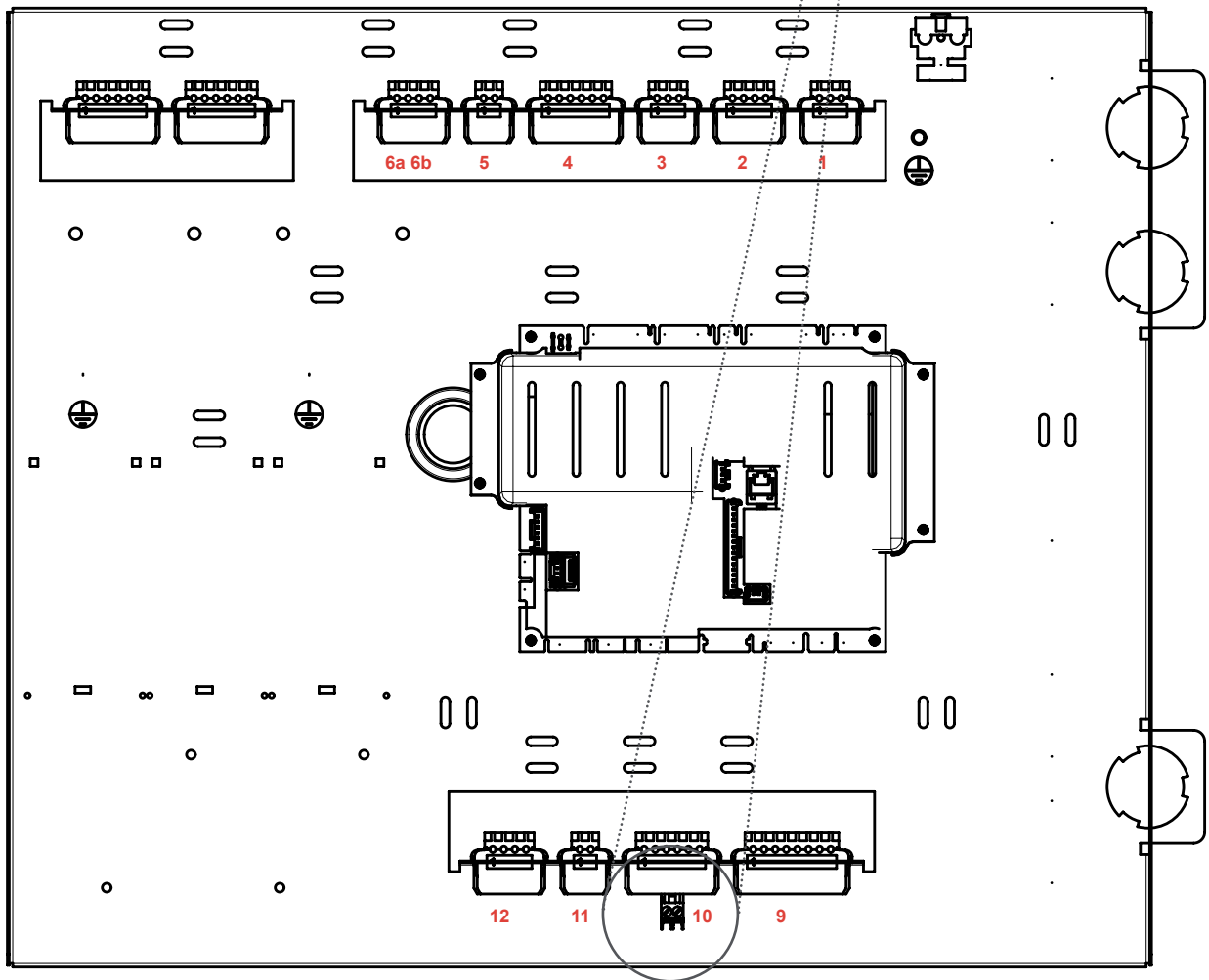


Fig. 10

INSTRUCTIONS

1.6 CONNECTING THE QAA55 ROOM THERMOSTAT _ 3

Refer to the boiler manual for cable routing into the boiler. Secure the cables with existing cable retention clamps or cable tie slots that are on the boiler main control panel. Ensure that isolation is maintained relative to 240V wiring. Configuration of the Room Thermostat to the boiler occurs during the configuration process described within the boiler manual.

If the QAA55 Room Thermostat is required to run heating zone 3 connect the wiring to I10_CN_C as follows:

1. Connect the CL+ BSB Data red wire to pin 1 of connector I10_CN_C
2. Connect the CL- BSB Ground black wire to pin 2 of connector I10_CN_C

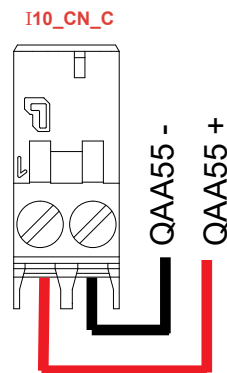


Fig. 11

These connections are shown Fig.11.

Insert connector I10_CN_C into Installer connector I10C, as shown in Fig.12.

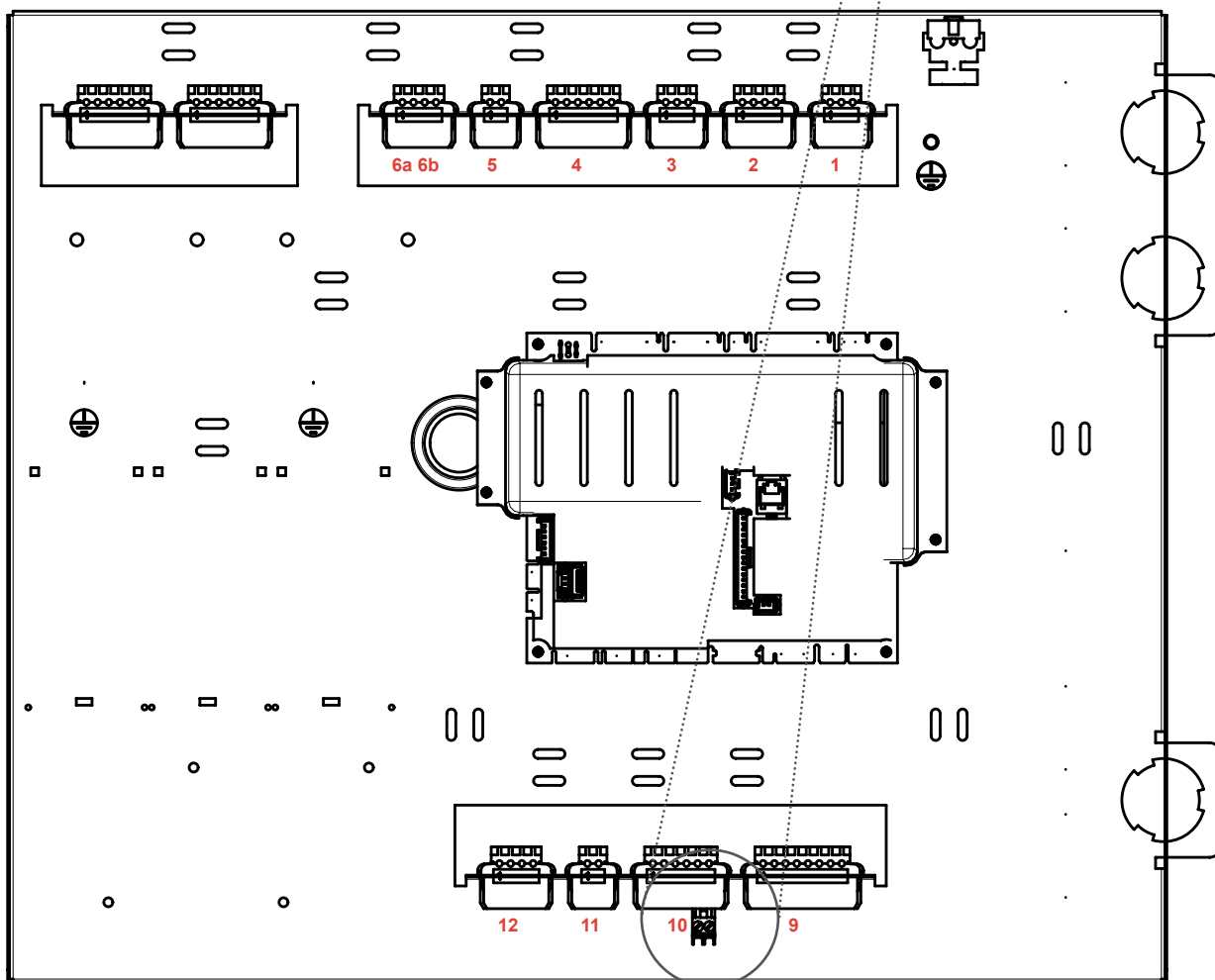


Fig. 12



WEEE DIRECTIVE 2012/19/EC
Waste Electrical and Electronic
Equipment Directive



- At the end of the product life, dispose of the packaging and product in a corresponding recycle centre.
- Do not dispose of the unit with the usual domestic refuse.
- Do not burn the product
- Remove the batteries
- Dispose of the batteries according to the local statutory requirements and not with the usual domestic refuse.



FM 59915

Manufactured under
an ISO 9001
registered quality
management system

At Ideal Heating we take our environmental impact seriously, therefore when installing any Ideal Heating product please make sure to dispose of any previous appliance in an environmentally conscious manner. Households can contact their local authority to find out how. See <https://www.gov.uk/managing-your-waste-an-overview> for guidance on how to efficiently recycle your business waste.

Technical Training

Our Expert Academy offer a range of training options designed and delivered by our experts in heating. For details please contact:
expert-academy.co.uk

Ideal Boilers Ltd., pursues a policy of continuing improvement in the design and performance of its products. The right is therefore reserved to vary specification without notice.

Ideal is a trademark of Ideal Boilers.

Registered Office

Ideal Boilers Ltd., National Avenue, Hull, East Yorkshire, HU5 4JB

Tel 01482 492251 Fax 01482 448858

Registration No. London 322 137

Ideal Commercial Technical Helpline: 01482 498376

Ideal Parts: 01482 498665

idealheating.com

ideal
HEATING