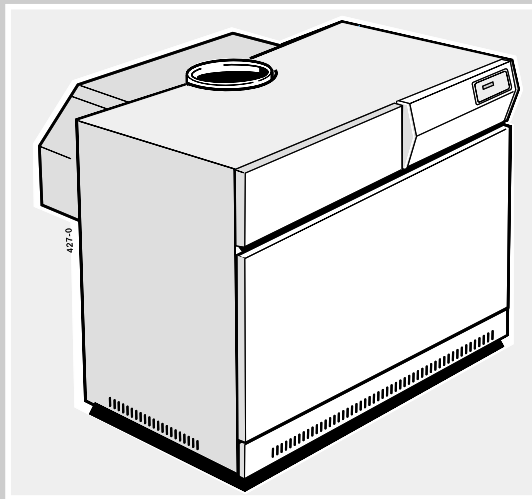


THE IDEAL

INSTALLATION & SERVICING MANUAL



Concord
CXi 110 - 180

i BOILERS
Ideal

CAUTION. To avoid the possibility of injury during the installation, servicing or cleaning of this appliance, care should be taken when handling edges of sheet steel components.

CONTENTS

Air Supply	9
Boiler Assembly - exploded view	10
Boiler Clearances	6
Burner Assemblies - exploded views	
CXi 110-160	29
CXi 180	30
Casing Assembly	14
Chimney System	9
Commissioning	20
Electrical Connections	17
Electrical Supply	9
Fault Finding	33
Gas Safety Regulations	3
Gas Supply	9
Hydraulic Resistance	6
Initial Lighting	20
Installation	10
Mandatory Requirements	8
Option Kits	5
Pump	7
Servicing	27
Short List of Parts	36
Static Head Requirements	7
System Connections	13
Ventilation	9
Water Circulation	5
Water Connections	5
Water Treatment	7
Wiring Diagrams	18

INTRODUCTION

CONSTRUCTION

BOILER BODY

The sectional boiler body is of cast iron and is supplied with a sheet steel combustion chamber and integral draught diverter. The boiler is supplied in sectioned form for site assembly.

CASING

The casing is manufactured in stove enamelled sheet steel and is easily assembled on site.

BURNERS

The 3 burners are of stainless steel construction.

Gas Safety (Installation and Use) Regulations, 1994, amendments 1996 or rules in force.

It is the law that **all** gas appliances are installed and serviced by a CORGI registered installer (identified by Ⓢ) in accordance with the above regulations. Failure to install appliances correctly could lead to prosecution. It is in your own interest, and that of safety, to ensure that the law is complied with.

The **Concord CXi 110-180** range of boilers has been tested and certified by British Gas to prEN656 for use with **natural gas only**.

Note.

Concord CXi 110 - 180 boilers are intended for use as COMMERCIAL BOILERS and are NOT certified for use in domestic applications. A domestic installation is defined as an installation where the boiler takes its combustion air from a living space or from a room directly or indirectly connected with the living space. It is important, therefore, that no external control devices - e.g. flue dampers, economisers etc., are directly connected to this appliance unless covered by these Installation and Servicing Instructions or otherwise recommended by Caradon Plumbing Limited in writing. If in doubt please enquire.

Any direct connection of a control device not approved by Caradon Plumbing Limited could invalidate the British Gas Certification, the normal appliance warranty and could also infringe the Gas Safety Regulations. Table 1, Table 2 and the descriptive notes which follow contain all the essential data likely to be required by the installer.

GAS CONTROLS

The gas controls consist of a high / low arrangement with direct burner ignition.

ELECTRICAL CONTROLS

WARNING. The ON/STANDBY [1/0] button does **NOT** electrically isolate the boiler.

The **Concord CXi** incorporates an advanced microprocessor-based control system which operates all electrical functions of the boiler, including ignition, flame detection, thermostatic control and high/low operation. In addition, the microprocessor has onboard servicing and commissioning instructions and a fault diagnosis programme.

The illuminated LED display gives a continual read-out of the boiler status and functions but, in the (unlikely) event of a fault condition, will display the fault areas.

GENERAL

Table 1 - Performance Data

Boiler			CXi 110	CXi 120	CXi 140	CXi 160	CXi 180
Boiler Input Low Rate	Gross	kW	86.55	94.63	110.79	126.94	152.16
		Btu/h x 1000	295.31	322.88	378.02	433.12	519.17
	Nett	kW	77.98	85.26	99.82	114.37	137.10
		Btu/h x 1000	266.07	290.91	340.59	390.24	467.77
Boiler Input High Rate	Gross	kW	137.38	150.21	175.85	201.49	227.14
		Btu/h x 1000	468.75	512.50	600.00	687.50	775.00
	Nett	kW	123.78	135.33	158.44	181.55	204.65
		Btu/h x 1000	422.34	461.76	540.60	619.44	698.28
Boiler Output High Rate	kW	109.91	120.16	140.68	161.20	181.71	
	Btu/h x 1000	375.00	410.00	480.00	550.00	620.00	
Gas rate	High	l/s	3.63	3.97	4.65	5.33	6.01
		cu ft/h	462.10	505.20	591.50	677.70	764.00
Approx. flue gas volume	At 4.5% CO ₂ & 100°C	cu m/sec	0.114	0.125	0.146	0.167	0.189
		At 4.5% CO ₂ & 212°F	cu ft/min	242	264	309	354
Burner setting pressure	High	mbar	10.8	11	11	10.8	11
		in.w.g.	4.3	4.3	4.3	4.3	4.3
	Low	mbar	4.3	4.3	4.3	4.3	5
		in.w.g.	1.7	1.7	1.7	1.7	2.0

Note. To obtain gas consumption in l/s divide gross heat input (kW) by a calorific value of 37.8 (MJ/m³)

Table 2 - General Data

Boiler		CXi 110	CXi 120	CXi 140	CXi 160	CXi 180
Number of sections		7	7	8	9	10
Flow tapplings	Rc	2 x 2				
Return tapplings	Rc	2 x 2				
Maximum static head	m. (ft)	45.7 (150)				
Maximum pressure	bar (psi)	4.5 (65)				
Gas inlet connection	Rc	1 1/2				
Minimum dynamic gas pressure	mbar	17.5	17.5	17.5	17.5	17.5
	in.	7	7	7	7	7
Electricity supply		230 Volts - single phase, 50 Hz, fuse 5 A				
Nominal flue size (to BS. 835)	mm	250	250	250	250	300
	in.	10	10	10	10	12
Diverter outlet socket internal diameter	mm	288	288	288	288	344
	in.	11.3	11.3	11.3	11.3	13.5
Length of burner bars (overall)	mm	535	535	535	535	535
	in	21.1	21.1	21.1	21.1	21.1
Approximate dry weight	kg	520	520	587	654	721
	lb.	1146	1146	1294	1442	1590
Water content	litre	53	53	60	68	76
	gal.	11.7	11.7	13	15	17

Table 3 - Boiler Control specification Maximum flow temperature 85 °C

Electricity supply	230 V ~ 50 Hz fuse 5A
Ignition	5 attempts followed by non-volatile lockout
Gas valve	High/Low and Off
Gas safety time	Maximum of 10 secs with 5 attempts with 1 minute between attempts.
Safety check	The control de-energises every 4 hours to check internal control functions.
Pump	Pump overrun operates if the flow temperature is greater than 75°C.
Boiler thermostat	The boiler thermostat hysteresis is a maximum of 3°C.

GENERAL

OPTION KITS

Remote indication board (volt free)

This provides the ability for remote indication of lockout and overheat conditions.

Outside sensor

This kit provides temperature compensation when the outside temperature changes.

DUTY

The range of boilers is suitable for: Combined indirect pumped domestic hot water **and** central heating systems; Independent indirect pumped domestic hot water **or** central heating systems.

Fully pumped systems may be open vented or sealed.

The range of boilers is NOT suitable for:

1. Gravity DHW systems.
2. Gravity heating systems.
3. Direct domestic hot water supply.

WATER CIRCULATION SYSTEM

Due to the compact nature of the boiler, the heat stored within the castings at the point of shutdown of the burner must be dissipated into the water circuit, in order to avoid the overheat thermostat tripping. To allow pump operation after burner shutdown, the boiler control box incorporates a pump overrun facility which operates when the boiler switches off and until the flow temperature is below

75°C - in order to make use of this the pump must be wired to the appropriate terminal L₂ (pump) in the boiler control box.

1. The minimum flow rate as given in Table 5 must be maintained whenever the boiler is firing and during the pump overrun period.
2. During the period of pump overrun there must be an open circuit of adequate water volume and/or load. The minimum size of this circuit is given by the use of Graph 1.

Examples shown on Graph 1

- a. For the **CXi 110** and **CXi 120** the minimum circuit during pump overrun could be a load of 7 kW with a volume of 42 litres or any other combination given by the relevant line.
- b. For the **CXi 180** the minimum circuit during pump overrun could be a load of 9 kW with a volume of 70 litres or any other combination given by the relevant line.

The above circuit capacity during pump overrun may be achieved either by provision of an adequate bypass circuit or by ensuring that a zone of suitable size is open for circulation during this period by relevant control of zone valves or pumps.

The wiring diagrams in Frames 16,17 and 18 illustrate the control methods for achieving the above.

3. Pump selection should take account of the hydraulic resistance given in Graph 2.

1 WATER CONNECTIONS

Flow and return connections are 2" BSP.

The distributor tube must be fitted into the return connection. The flow header must be fitted in the flow pipe.

The open vent must be brought to either the 1 1/2" BSP tapping on the flow header or to the unused 2" BSP tapping at the top rear of the boiler.

The cold feed may be brought to the LH front bottom tapping in order to avoid excessive surging or pumping over. The unused bottom rear tapping must not be used for the cold feed pipe as it is practically blocked by the distributor tube.

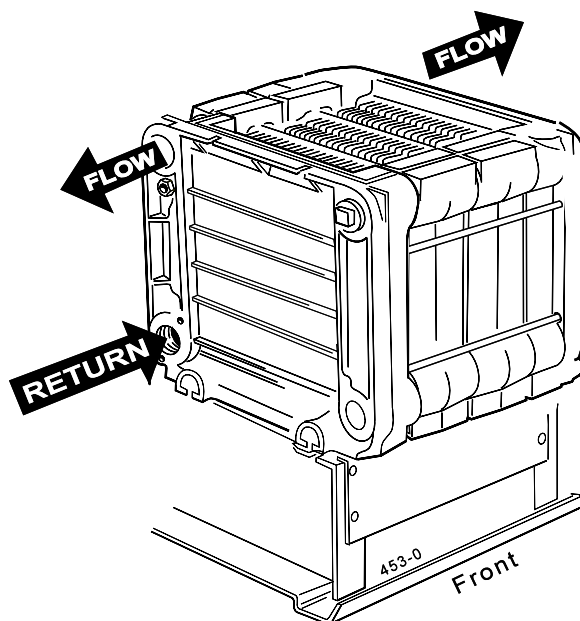
Safety Valve

A safety valve must be sized and fitted in accordance with BS. 6644 for every type of system. The valve should be set at 0.7 bar (10 lb/in.²) above the operating pressure in the boiler. The maximum safety valve setting is 0.7 bar (10 lb/in.²) above the maximum design operating pressure of 4.5 bar (65 lb/in.²).

Cold Feed/Open Vent

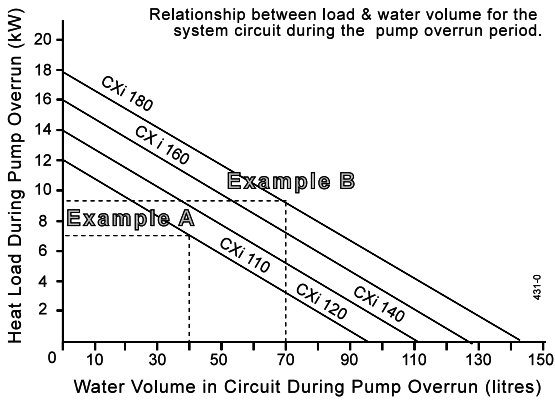
The independent cold feed and the open vent must comply with BS. 6644 and be of the following minimum size.

Boiler Size	Cold Feed	Open Vent
CXi 110	1"	1 1/4"
CXi 120	1"	1 1/4"
CXi 140	1"	1 1/4"
CXi 160	1 1/4"	1 1/2"
CXi 180	1 1/4"	1 1/2"

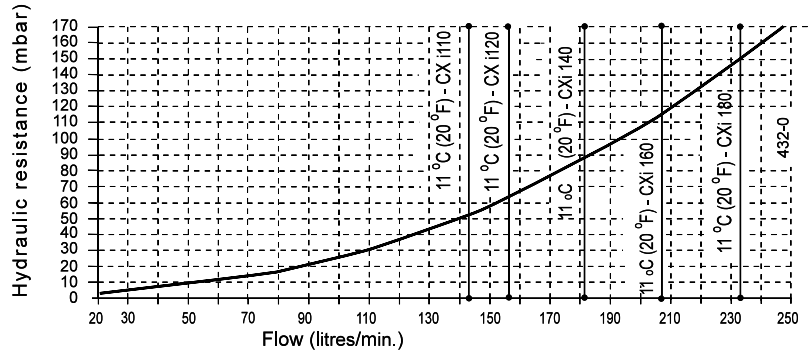


GENERAL

Graph 1 - Heat Load / Water Volume



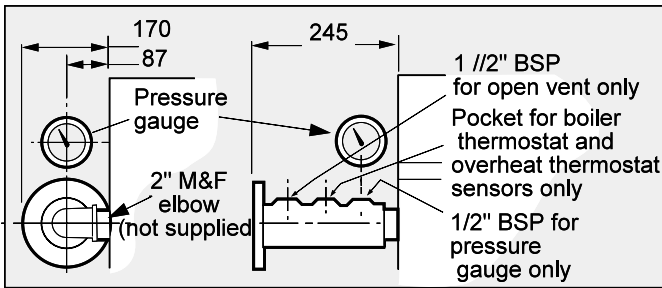
Graph 2 - Hydraulic Resistance



2 CLEARANCES & DIMENSIONS

Table 4

Boiler Size		CXi 110	CXi 120	CXi 140	CXi 160	CXi 180
Front clearance	mm (in)	750 (29 1/2)				
Rear clearance	mm (in)	200 (8)				
Side clearance	mm (in)	100 (4) - not including clearance for side fitted flow header				
Dimension A	mm (in)	1036 (40 3/4)	1036 (40 3/4)	1036 (40 3/4)	1086 (42 3/4)	1140 (45)
Dimension B	mm (in)	175 (7)	175 (7)	175 (7)	197 (7 3/4)	250 (10)
Dimension C	mm (in)	1107 (43 3/4)	1107 (43 3/4)	1230 (48 1/2)	1353 (53 1/4)	1476 (58 1/8)
Dimension D	mm (in)	816 (32 1/8)	816 (32 1/8)	939 (37)	1062 (42 3/4)	1185 (46 5/8)
Dimension E	mm (in)	553 (21 3/4)	553 (21 3/4)	615 (24 1/4)	676 (26 5/8)	738 (29)
Dimension F	mm (in)	220 (8 5/8)	220 (8 5/8)	220 (8 5/8)	220 (8 5/8)	320 (12 1/2)

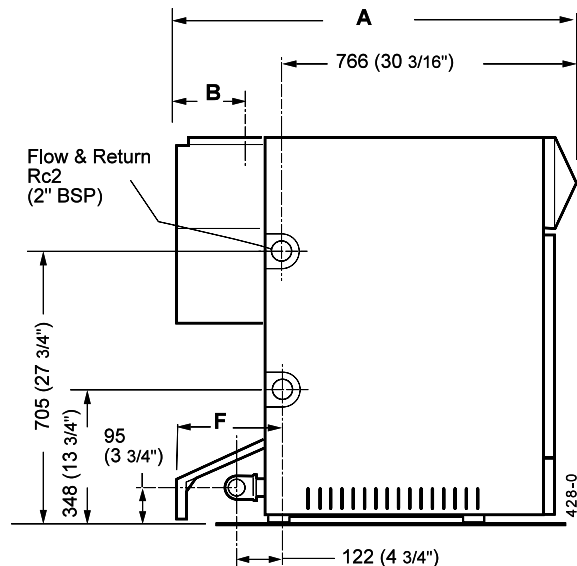
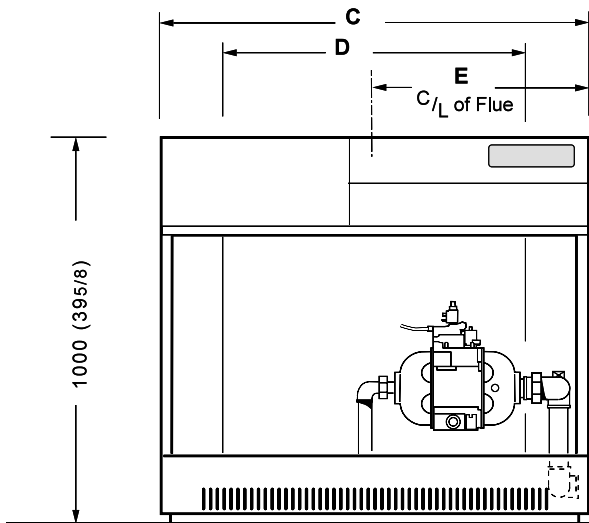


Detail of flow header position options for either left or right hand side of boiler

POSITION OF BOILER

Minimum clearances required from walls or other fixed objects to allow for the free access of combustion air are shown in Table 4 above.

Any combustible material adjacent to the boiler and its flue system must be so placed or shielded as to ensure that its temperature does not exceed 65 °C (150 °F).



PUMP POSITIONS

Whenever practically possible the circulating pump(s) should be positioned so that it pressurises the system being served. The vertical distance between the pump(s) and any cold feed and expansion cistern MUST comply with the pump manufacturers requirements, in order to avoid cavitation. These requirements override the information given in Frame 3 if the static head required for the pump(s) exceeds that required for the boiler.

MINIMUM FLOW OF WATER - Refer to Table 5

The system design must provide for an adequate flow rate through the boiler at all times when the boiler is firing. The minimum flow rate should correspond to a temperature difference across the boiler flow and return of 35°C (63°F), assessed at catalogue rating.

Table 5 - Flow rates for fully pumped systems

Boiler	Minimum flow rates for a temperature difference of 35°C (63°F)	
	l/s	g.p.m.
CXi 110	0.75	9.9
CXi 120	0.82	10.8
CXi 140	0.96	12.7
CXi 160	1.10	14.6
CXi 180	1.24	16.4

WATER TREATMENT FOR HOT WATER AND HEATING BOILERS

There is a basic need to treat the water contained in all heating and indirect water systems, particularly open vented systems. It is assumed, incorrectly, that because boilers are operating in conjunction with what is apparently a closed circuit an open vented system will not, under normal circumstances, allow damage or loss of efficiency due to hardness salts and corrosion once the initial charge of water has been heated up a few times.

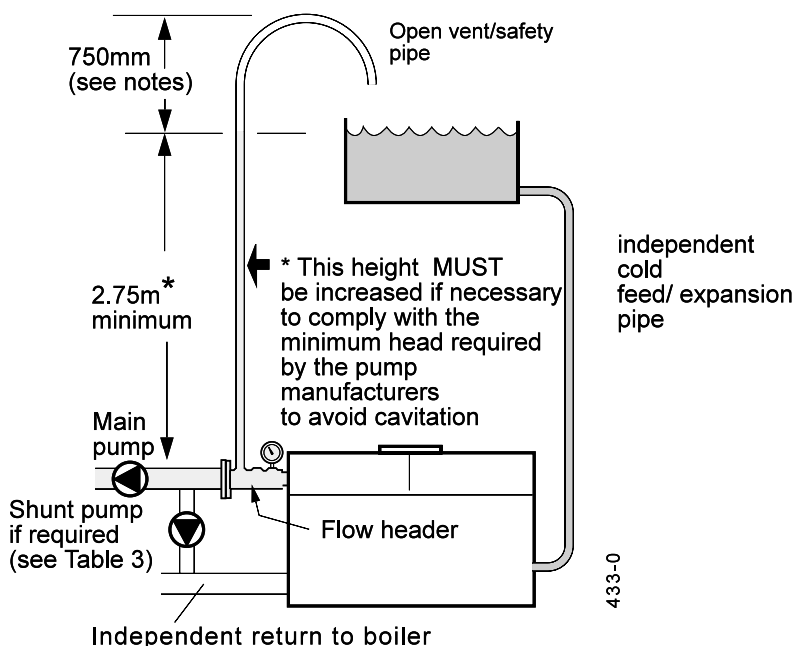
1mm of lime reduces the heat transfer from metal to water by 10%.

In practice the deposition of these salts is liable to cause noises from the boiler body or even premature boiler failure. Corrosion and the formation of black iron oxide sludge will ultimately result in premature radiator failure.

Open vented systems are not completely sealed from the atmosphere if proper venting and expansion of system water is to be achieved. The same tank is used to fill the system with water and it is through the cold feed pipe that system water expands into the tank when the boiler passes heat into the system. Conversely, when the system cools, water previously expanded is drawn back from the tank into the system, together with a quantity of dissolved oxygen.

Even if leakage from the heating and hot water system is eliminated there will be evaporation losses from the surface of the tank which,

3 OPEN VENTED SYSTEMS - minimum static head requirements



Note. This diagram does not show safety valves, water flow switches, etc., necessary for the safe operation of the system.

Particular reference should be made to BS. 6644: Section 2; Subsection 10 and Guidance note PM5 "Automatically controlled steam and hot water boilers" published by the Health and Safety Executive. The information and guidance given below is not intended to override any requirements of either of the above publications or the requirements of the local authority, gas or water undertakings.

Other British Standards applicable are BS.5422 and BS.6700.

The information provided is based on the following assumptions:

1. The open vent MUST be brought to either the 1 1/2" BSP tapping on the flow header provided or to the unused 2" BSP flow tapping at the top rear of the boiler.
2. An independent cold feed/expansion pipe connection is made to the LH lower front connection. Cold feed/expansion pipe connections made to the pumped system return will result in an increase in the static head requirement, caused by the additional resistance of the distributor tube. Surging may also increase.
3. The maximum flow rate through the boiler is based on a temperature difference of 11°C at full boiler output and the circulating pump is positioned in the flow to the system.
4. The boiler is at the highest point of circulation in the system. Systems designed to rise above the boiler flow tappings will automatically require a minimum static head higher than that shown.
5. The position of the open vent/safety pipe above the expansion cistern water level is given as a guide only. The final position will depend upon the particular characteristics of the system. Pumping over of water into the expansion cistern must be avoided.

GENERAL

depending upon ambient temperature, may be high enough to evaporate a large portion of the system water capacity over a full heating season.


There will always be corrosion within a heating or hot water system to a greater or lesser degree, irrespective of water characteristics, unless the initial fill water from the mains is treated. Even the water in closed systems will promote corrosion unless treated.

For the reason stated **Caradon Plumbing Limited** strongly recommend that when necessary the system is thoroughly cleaned, prior to the use of stable inhibitor, which does not require continual topping up to combat the effects of hardness salts and corrosion on the heat exchangers of the boiler and associated systems.

Caradon Plumbing Limited advise contact directly with specialists on water treatment such as:

Fernox Manufacturing Co. Ltd., Tandem House, Marlowe Way Croydon. Surrey CRO 4XS Tel 0870 5601 5000	or	Sentinel Division, Betz Dearborn Ltd., Widnes, Cheshire, WA8 8UD Tel. 0151 424 5351.
---	----	--

INSTALLATION REQUIREMENTS

The appliance must be installed by a CORGI registered installer, identified by .

The installation of the boiler must be in accordance with the relevant requirements of the Gas Safety Regulations, current I.E.E. (BS.7671) Regulations, Model Water Bye-laws, local water authority bye-laws and it should also comply with any relevant requirements of the local gas supplier, local authority and the relevant British Standard Codes of practice and building regulations.

Limitations of Intended Operating Environment

These appliances are NOT suitable for installation where they will be exposed to the elements.

A boiler room shall be constructed or adapted to meet the requirements of BS 6644.

The maximum ambient temperature is 32 °C at 1.5 metres from the floor with a maximum humidity of 90% RH.

FOR SMALL PIPE INSTALLATIONS;

BS. 6891: Installation of low pressure pipework

FOR LARGE PIPE INSTALLATIONS;

British Gas Publication:

IM11: Flues for Commercial and Industrial Gas Fired Boilers and Air Heaters.

Gas Installations

IGE-UP-1: Purging Procedures of Non-domestic Gas Installations. Soundness Testing Procedures for Industrial and Commercial .

IGE-UP-2: Guidance notes on the Installation of Gas Pipework, Boosters and Compressors in Customer's Premises Equal to or Greater than 25mm (Non-domestic).

BS.6644: Installation of Gas Fired Hot Water Boilers 60kW to 2MW.

CP341: Water Supply.

CP342:2: Centralised Hot Water Supply.

Model Water Byelaws

Manufacturers notes must not be taken, in any way, as overriding statutory obligations.

The appliance must be installed in a room separated from living rooms and provided with appropriate ventilation direct to the outside - see Table 6.

4 SEALED (PRESSURISED) SYSTEMS

Working pressure 4.5 bar maximum.

Particular reference should be made to BS. 6644: Section 2; Subsection 11 and Guidance note PM5 "Automatically controlled steam and hot water boilers" published by the Health and Safety Executive.

The information and guidance given below is not intended to override any requirements of either of the above publications or the requirements of the local authority, gas or water undertakings.

In general commercial closed pressurised systems are provided with either manual or automatic water make up.

On both instances it will be necessary to fit automatic controls intended to protect the boiler, circulating system and ancillary equipment by shutting down the boiler plant if a potentially hazardous situation should arise.

Examples of such situations are low water level and operating pressure or excessive pressure within the system. Depending on circumstances, controls will need to be either manual or

automatic reset. In the event of shutdown both visual and audible alarms may be necessary.

Pressure vessels used must comply with BS. 4814 and must be sized on the basis of the total system volume and initial charge pressure.

Initial minimum charge pressure should not be less than 0.5 bar (7.2 psi) and must take account of the static head and specification of the pressurising equipment. The maximum water temperatures permissible at the point of minimum pressure in the system are specified in Guidance Note PM5.

When make up water is not provided automatically it will be necessary to fit controls which shut down the plant in the event of the maximum system pressure approaching to within 0.35 bar (5 psi) of the safety valve setting.

Other British Standards applicable to commercial sealed systems are:-

BS. 6880: Part 2

BS. 1212

BS. 6281: Part 1

BS. 6282: Part 1

BS. 6283: Part 4

GENERAL

FOUNDATION

The boiler must stand on a non-combustible floor (i.e. concrete or brick) which must be flat, level and of a suitable load bearing capacity to support the weight of the boiler (when filled with water) and any ancillary equipment.

If the boiler is mounted on a plinth then the dimensions must exceed the plan area of the boiler by at least 75mm on each side.

VENTILATION

Safe, efficient and trouble-free operation of conventionally flued gas boilers is vitally dependent on the provision of an adequate supply of fresh air to the room in which the appliance is installed. Ventilation by grilles communicating directly with the outside air is required at both high and low levels. The minimum free areas of these grilles must be according to the following scale:

Table 6 - Ventilation Requirements

Total input rating of boilers	Position of air vents	Air vent areas (air direct from outside)
Upto 2 MW	HIGH LEVEL	270 cm ² plus 2.25 cm ² per kW in excess of 60 kW total rated input
	LOW LEVEL	540 cm ² plus 4.5 cm ² per kW in excess of 60 kW total rated input

Position ventilation grilles to avoid the risk of accidental obstruction by blockage or flooding. If further guidance on ventilation is required then consult BS.6644.

AIR SUPPLY BY MECHANICAL VENTILATION

The supply of air by mechanical means to a space housing the boiler should be by mechanical inlet with natural or mechanical extraction. Mechanical extract ventilation with natural inlet must not be used.

Where a mechanical inlet and a mechanical extract system is applied, the design ventilation flow rates should be as in Table 4 of BS.6644.

The requirements for air supply by mechanical ventilation are given in BS.6644.

Note. For mechanical ventilation systems an automatic control should be provided to cause safety shutdown or lockout of the boiler(s) in the event of failure of air flow in either inlet or extract fans.

IMPORTANT.

The use of an extractor fan in the same room as the boiler (or in an adjacent communicating room) can, in certain conditions, adversely affect the safe operation of the boiler. Where such a fan is already fitted (or if it is intended to fit an extractor fan after installation of the appliance) the advice of the gas supplier should be obtained.

Tests for spillage of products from the draught diverter when the extractor fan is running and all doors and windows are shut should be carried out after installation. If spillage is detected, the area of permanent ventilation must be increased.

CHIMNEY SYSTEM

To ensure the safe and satisfactory operation of the boiler then the chimney system (which may be common or individual, in the case of twin or multiple boiler installations) must be capable of the complete evacuation of combustion products at all times. The effective height of the chimney terminal(s) above the boiler outlet(s) must ensure sufficient buoyancy to overcome the resistance of the bends, tees and runs of the flue pipe involved and shall terminate in a down draught free zone. The number of bends and lengths of horizontal flue pipe used should be kept to a minimum in order to reduce gas flow resistance.

Compliance with the recommendations made in BS.6644; British Gas publication IM 11 'Flues for Commercial and Industrial Gas Fired Boilers and Air Heaters' and the Third Edition of the 1956 Clean Air Act Memorandum' should be strictly observed, where applicable.

The chimney design should avoid the formation of excessive quantities of condensate. For this reason it is recommended that all chimneys are insulated and lined. In the case of brick or similar structures a stainless steel rigid or flexible flue liner (grade 304/316) may be used in conjunction with a 50 mm (minimum) thick layer of vermiculite or perlite granules between the liner and the inner skin of the chimney body. Liners should be sealed at both top and bottom.

As the **Concord CXi** range of boilers is supplied complete with an integral draught diverter, a diverter **MUST NOT** be fitted within the chimney system.

Drainage points positioned at the bottom of all vertical chimney sections should be provided. Drain pipes should be no less than 25 mm I.D., manufactured from acid condensate resistant material such as stainless steel and be positioned so that pipe runs and discharge points are not subject to the effects of frost and that flue gases cannot leak into the boiler room.

Care should be taken to ensure the specification of the chimney is suitable for the application by reference to the manufacturers literature. **Caradon Plumbing Limited** can offer advice on the design of suitable chimney systems.

GAS SUPPLY

If there is any doubt regarding the capacity of the gas meter, the available gas pressure, the adequacy of existing service pipes or the size required for new service pipes then the advice of the gas supplier should be requested.

Installation pipework should be fitted and tested for gas soundness in accordance in accordance with BS. 6891;

IGE-UP-1 for small installations
IGE-UP-2 for large installations.

The local gas supplier must be consulted if it is necessary to employ a gas pressure booster.

ELECTRICAL SUPPLY

WARNING. This appliance must be efficiently earthed.

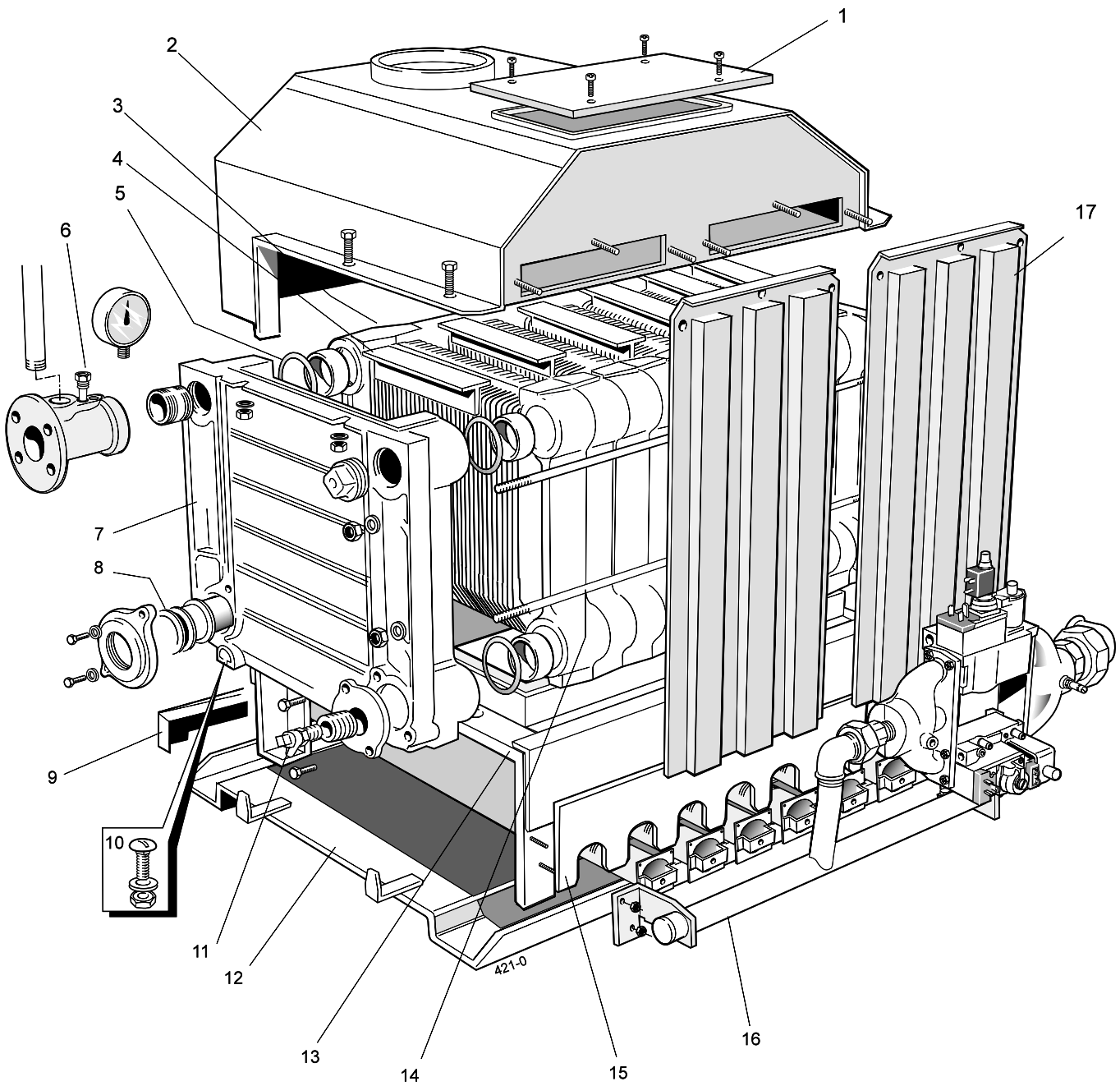
A 230 V - 50 Hz mains supply is required, fused at 5 amps.

Wiring external to the appliance **MUST** be in accordance with the I.E.E. (BS. 7671) Wiring Regulations and any local regulations which apply.

For details of connections see Frame 14.

INSTALLATION

5 CONCORD CXi BOILER ASSEMBLY - Exploded view



Legend

- | | | |
|---|---------------------------|---------------------------|
| 1. Cleanout cover. | 7. End section. | 13. Combustion chamber. |
| 2. Collector hood. | 8. Distribution tube. | 14. Tie rods. |
| 3. Middle section. | 9. Downdraught deflector. | 15. Lightback shield. |
| 4. Flueway baffles. | 10. Section bolt. | 16. Burner manifold assy. |
| 5. Section alignment rings & 'O' rings. | 11. Drain cock. | 17. NOx duct. |
| 6. Thermostat pocket. | 12. Base plate. | 18. Gas cock (not shown). |

INSTALLATION

6 BOILER SECTION ASSEMBLY

The site assembled boiler is supplied in the following packages:

- Combustion chamber / manifold / burner assembly.
- Platework package.
- Jacket package.
- Controls box package.
- End and centre sections.

GENERAL

The installation of the boiler must be in accordance with the Gas Safety (Installation and Use) Regulations 1994, amendments 1996 or rules in force, building regulations, I.E.E. (BS.7671) Regulations and the bye-laws of the local water undertaking. It should also be in accordance with the relevant British Standard Codes of Practice together with any relevant requirements of the local gas supplier and local authority.

ASSEMBLY

The combustion chamber should be positioned as near as possible to the installation site.

IMPORTANT.

It must be remembered that the boiler distribution tube has to be fitted into the rear return tapping of the assembled boiler before final siting.

Prior to assembling the sections it will be necessary to remove the manifold assembly and burners from the combustion chamber. To do this:

1. Undo the two M5 screws and washers securing the spark generator bracket to the combustion chamber. Undo the union securing the gas valve assembly and remove the gas valve and spark generator assembly from the boiler.
2. Undo the 4 nuts securing the burner manifold to the combustion chamber legs.
3. Undo the nuts securing the burner light back shield to the combustion chamber and lift it off.
4. Pull the whole burner assembly forward on its runners, ensuring that **no wires are trapped**, and remove it completely from the combustion chamber.

PREPARATION OF SECTIONS

Each section should be brushed clean on all external surfaces and any debris which may have accumulated within the sections should be removed via the bottom ports.

TOOLS REQUIRED

- Spanners
- Torque wrench
- Pozi screwdriver
- Mallet

Section Assembly - refer to the exploded view

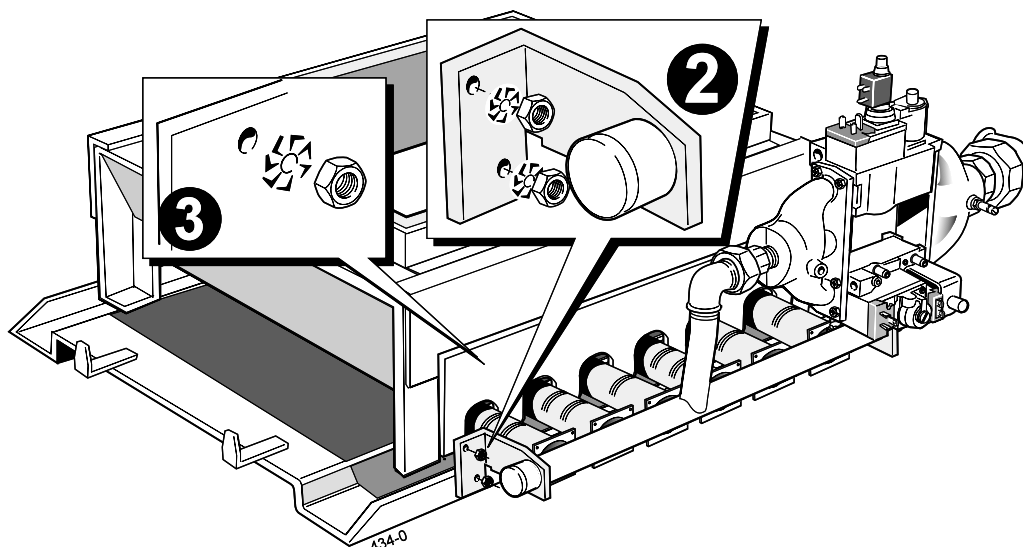
5. Take an end section and lift it onto the combustion chamber so that the combustion chamber side panel return is inside the section rear lip.
6. Locate a slotted steel ring and an 'O' ring seal into each of the 4 ports. It will be necessary to squeeze the steel ring slightly to enable it to be pushed fully into the recess.
7. Lift a middle section onto the combustion chamber and carefully offer it up to the end section until it engages the projecting steel rings. It may be necessary to use a mallet and hardwood block to ensure that the steel rings are pushed fully into the recessing and that the sections are butted up to each other.

Note. Until the final section is fitted and the tie rods fastened, the sections in the assembly are not fixed together therefore **CARE MUST BE TAKEN TO PREVENT** the installed sections coming apart.

8. Repeat the assembly procedure for all of the sections until complete.
9. Fit the 4 tie rods through the holes in the sides of the end sections and fit a flat steel washer, a shakeproof washer and a nut to both ends of each tie rod. Screw up all the nuts equally, in turn and, finally, tighten them to a torque of 38-41 Nm (28-30 lb. ft).
10. For open vented systems a site test must be carried out at a hydraulic pressure equal to 1 1/2 times the design pressure given in Table 2, for a period of 30 minutes.

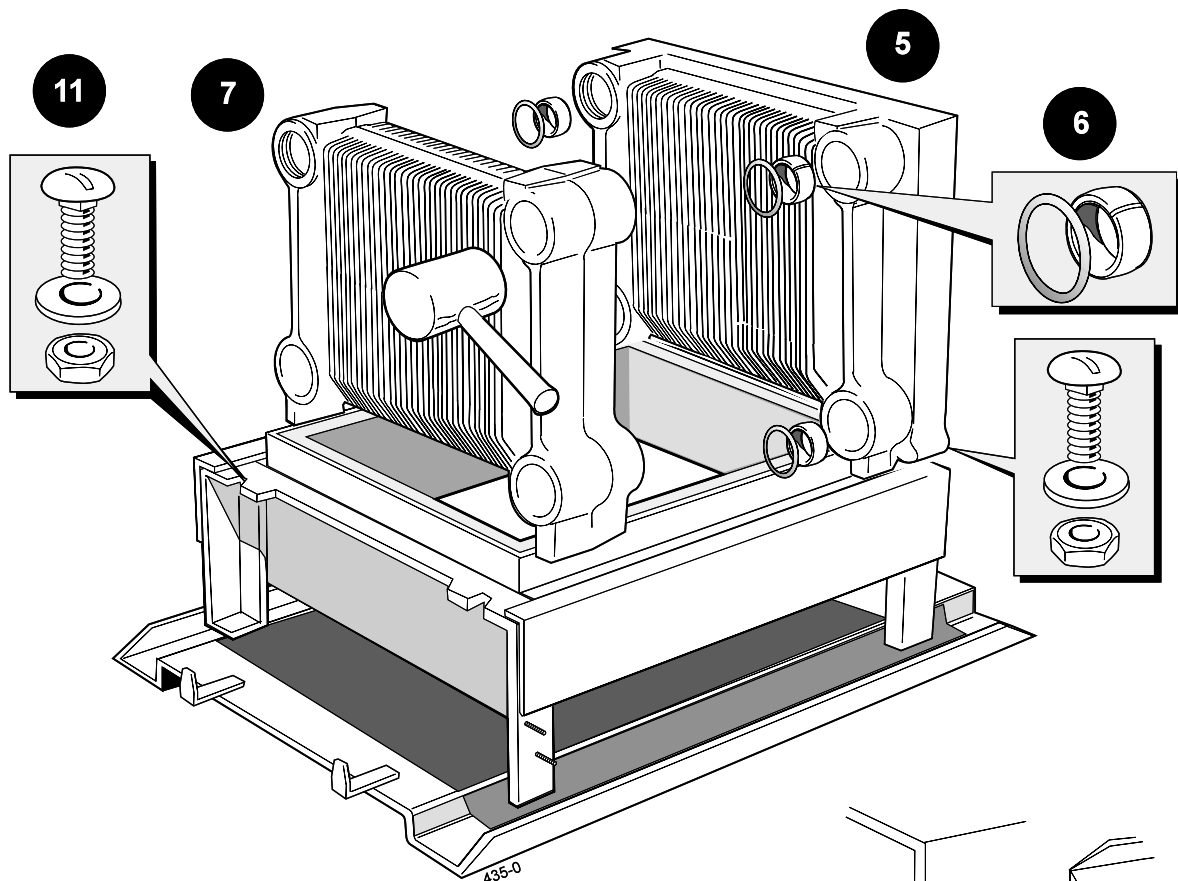
Note. If it is a sealed system the hydraulic pressure must be equal to twice the given design pressure for 30 minutes.

11. Fit the 4 coach bolts into the lugs at the bottom of the end sections and through the hole in the retaining angle of the combustion chamber. Fit a flat washer and nut and secure the section assembly to the combustion chamber.

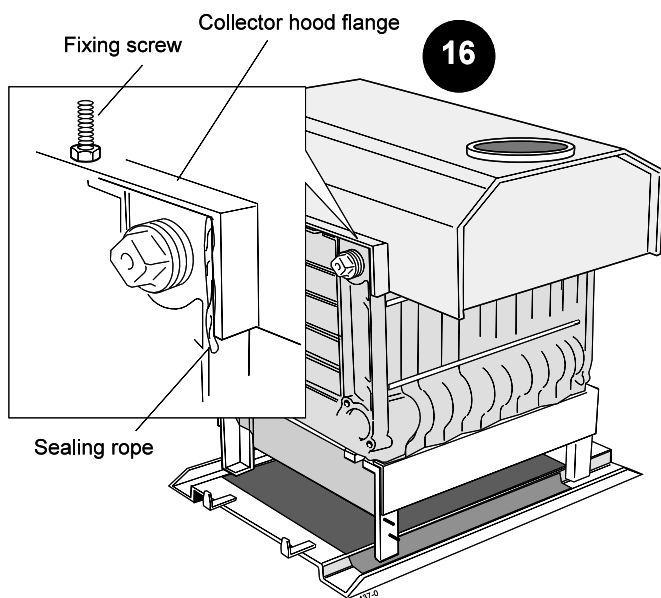
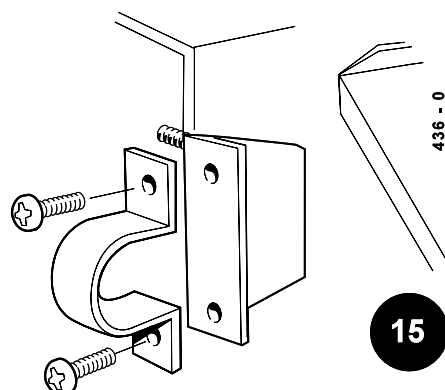


INSTALLATION

7 BOILER SECTION ASSEMBLY - continued



12. Fit a flueway baffle into each of the section flueways. Offer the downdraught deflector to the projecting studs at the back of the combustion chamber and fix, using the nuts and washers provided.
13. Refit the burner assembly to the combustion chamber and tighten the 4 nuts securing the burner manifold to the combustion chamber legs. Offer up the burner light back

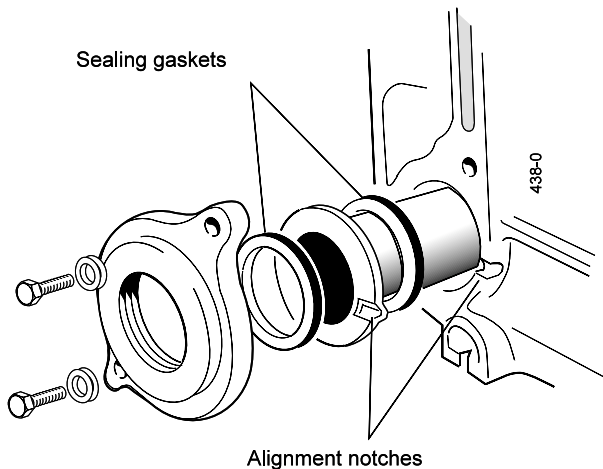


shield to the combustion chamber - with the cutout for the flame detector electrode at the LH end - and fasten, using the M5 nuts and washers.

14. Fit the gas valve and spark generator assembly to the boiler by doing up the union in the gas line and by fastening the spark generator bracket to the combustion chamber using the two M5 screws and washers.
15. Fit the gas inlet pipe and retain by the semi-circular clamp, screws and washers provided. Tighten both unions and the inlet pipe retaining clamp, ensuring that the gas valve assembly is vertical.
16. To fit the collector hood align the back edge of the horizontal side returns with the rear of the section assembly and fasten down the collector hood (using the M6 screws and nuts provided) through the side fixing points.
17. Fit the NOx ducts into the burner aeration intakes and fasten to the collector hood, using the M5 elongated nuts.

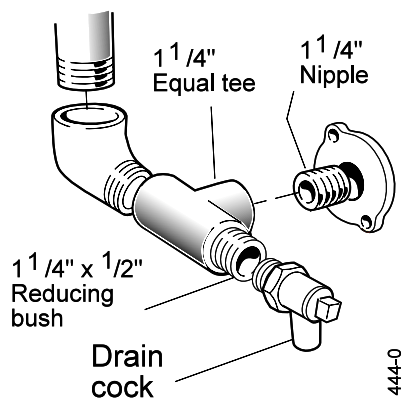
8 BOILER ASSEMBLY

1. Fit the distributor tube into the selected return connection. Ensure that the tube flange aligns horizontally and that the 2 sealing gaskets are correctly assembled on the tube - refer to alignment notches.



Fit the 2" tapped flange, using the M10 x 35mm screws and washers provided.

2. Fit the blank flange to the other lower rear connection, using the gasket and M10 x 25mm screws and washers provided.
3. Fit the blank flange to the RH front connection, using the gasket and M10 x 25mm screws provided.
4. The 1 1/4" tapped flange and gasket should be fitted to the LH front connection with the reducing bush and 1/2" drain cock. If the cold feed/expansion pipe is to be brought directly to the boiler, the close taper nipple and 1 1/4" tee must be fitted so that the drain cock is horizontal. This will reduce the possibility of the drain becoming blocked by debris.



5. Complete the system connections (using suitable jointing compound) as follows:

The cast iron flow header must be fitted in the chosen flow connection which will be either of the 2 top rear tapings. A length of 2" BSP pipe is contained in the Plateware Package for this purpose.

Fit the flow header so that the 1 1/2" vent tapping in the header is vertical. Screw the thermostat pocket into one of the 1/2" tapings.

The other 1/2" tapping is used for the pressure gauge provided. The flow header terminates in a 2 1/2" flange connection.

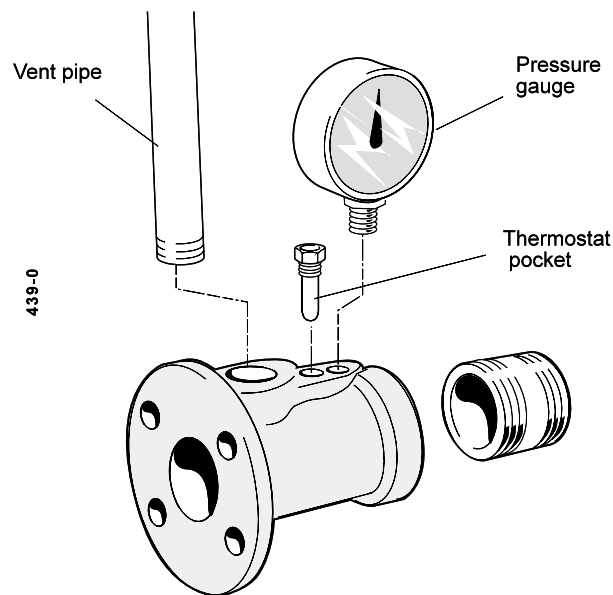
The 1 1/2" BSP tapping on the top of the flow header is for a vent pipe ONLY and MUST NOT be used for any other purpose.

A safety valve may be fitted in the remaining top rear tapping, in accordance with CP332:3.

The unused top rear tapping may be used as an alternative and independent open vent / safety pipe connection. The LH front bottom tapings may be used for an independent cold feed / expansion pipe connection.

In order to avoid air locks, reduction in pipe sizes should be made in the vertical plane or eccentric bushes used.

Finally, plug the unused tapings, using the 2" BSP plugs supplied.



9 FLUE CONNECTION

1. Complete the secondary flue connection.

The boiler is designed to accept flues to BS.835. If a suitable adaptor is used then flues to BS715 may be fitted.

2. Seal with an approved boiler putty.
3. A split socket should be fitted immediately above the boiler to facilitate disconnection of the flue.

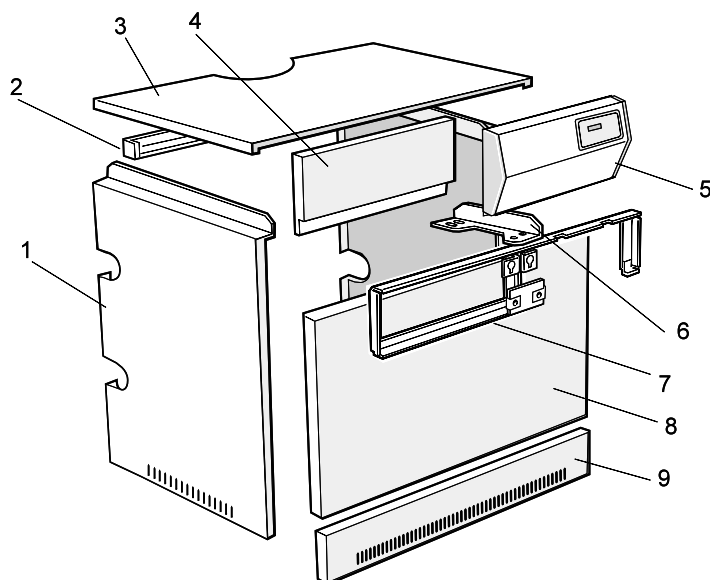
10 GAS CONNECTION

Connect the gas supply to the gas inlet pipe - Table 2 gives details of the inlet pipe size.

The use of an approved gas cock and union is recommended here.

INSTALLATION

11 CASING ASSEMBLY



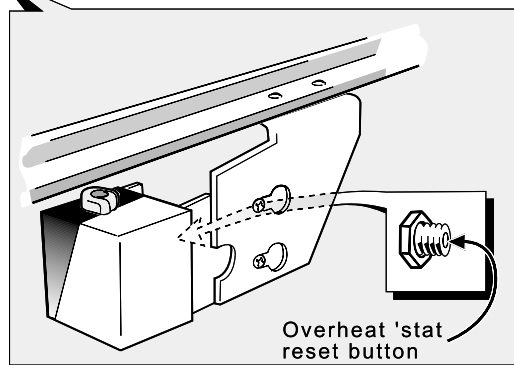
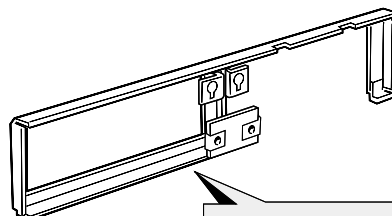
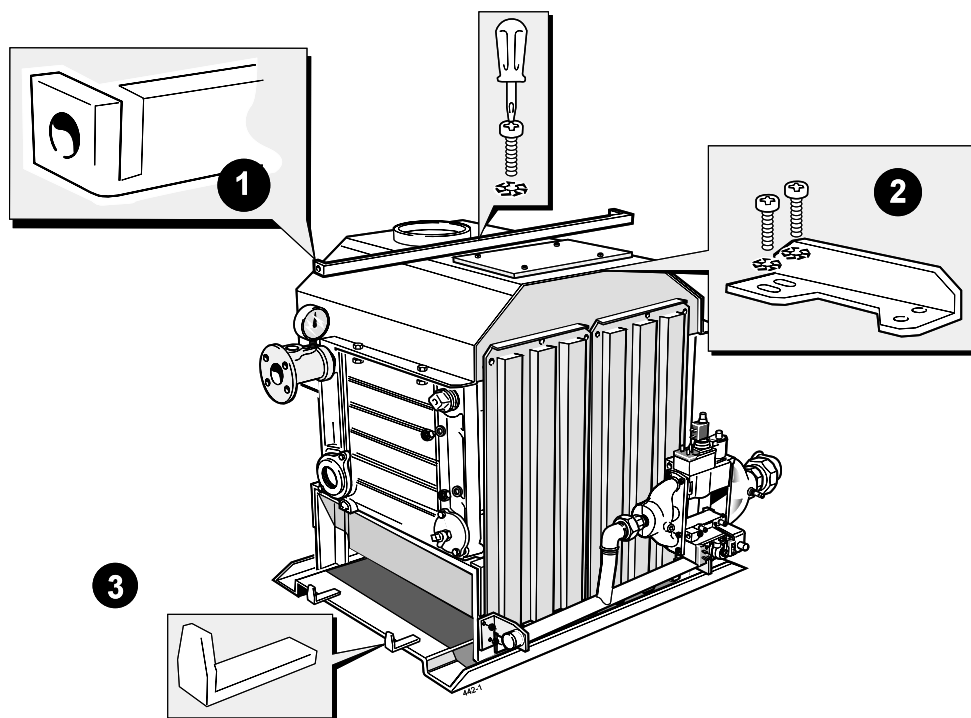
Legend

- 1. Side panel.
- 2. Supporting angle.
- 3. Top panel.
- 4. Upper front panel.
- 5. Control box.
- 6. Bracket.
- 7. Support frame.
- 8. Door panel.
- 9. Lower panel.

1. Fit the support angle to the collector hood and fasten, using the M5 screws and washers.
2. Fit the front fixing bracket(s) to the collector hood and fasten, using the M5 screws and washers through the slotted holes.
3. Fit one side panel over its brackets on the combustion chamber base tray and fasten to the support angle, using the M5 screw and washer.

Repeat for the other side panel.

4. Fit the upper front framework with the overheat thermostat at the bottom and with its green button facing forwards and secure to the front fixing bracket(s), using the M5 screws and washers, and to each side panel, using the No.8 screws.
5. Fit the 4 shoulder screws into the fixings at the bottom of the front return of the casing side panels.
6. Finally, ensure correct alignment by slackening and retightening the screws into the slotted holes in the front fixing bracket(s).

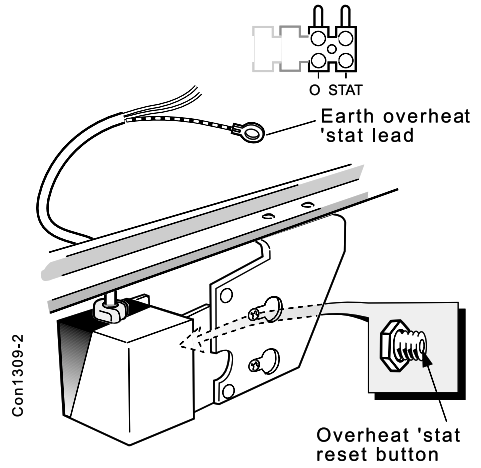
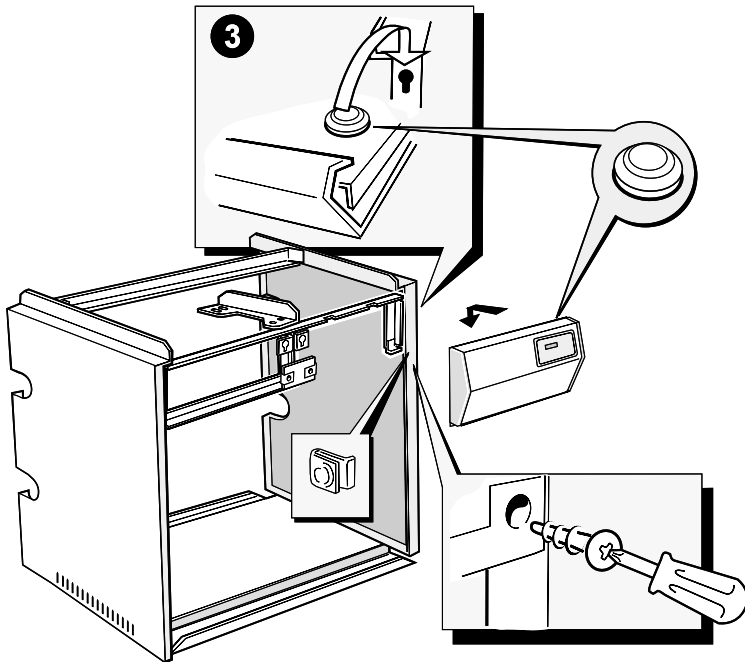


Con 1309-4

12 CONTROL BOX

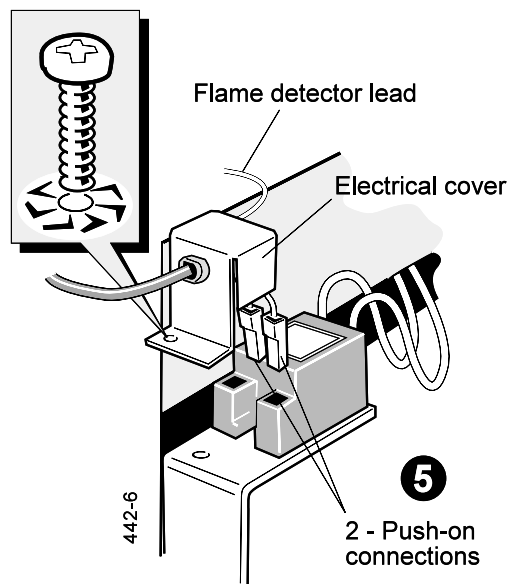
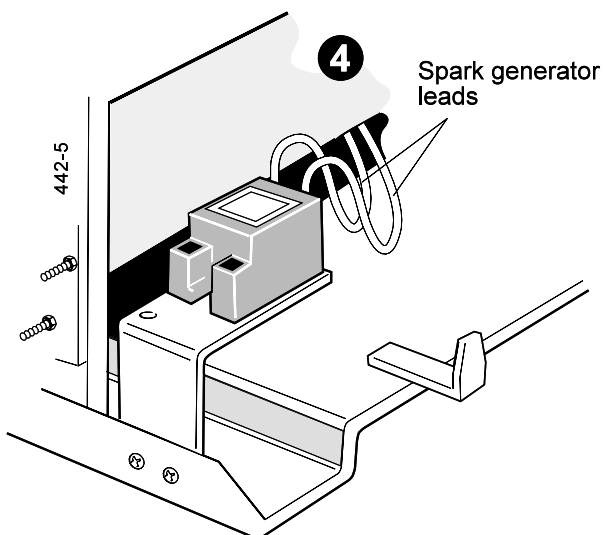
Unpack the control box.

1. Fasten the 2 electrical connections from the overheat thermostat on the upper front framework to the terminals marked 'O STAT' on the plug-in connector from the gas valve plug lead assembly (polarity not important.)
2. Fit the plug-in connector from the gas valve plug lead assembly to the control box and fasten, using the M4 screws and washers.
3. Offer up the control box to the RH side of the upper front framework so that the location buttons on the back of the control box locate in the slots. Push down to locate and fasten, using the No.8 screws.



IMPORTANT

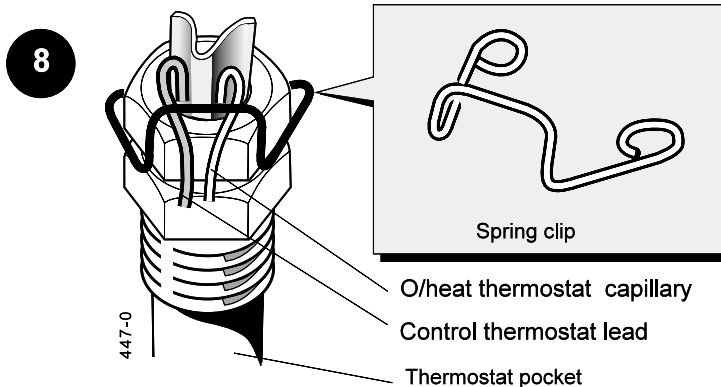
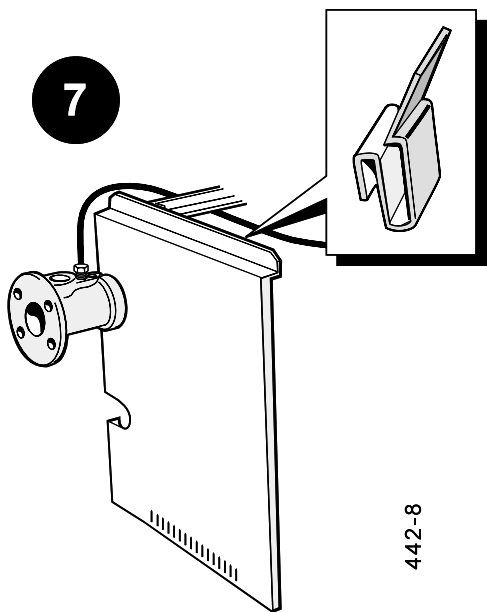
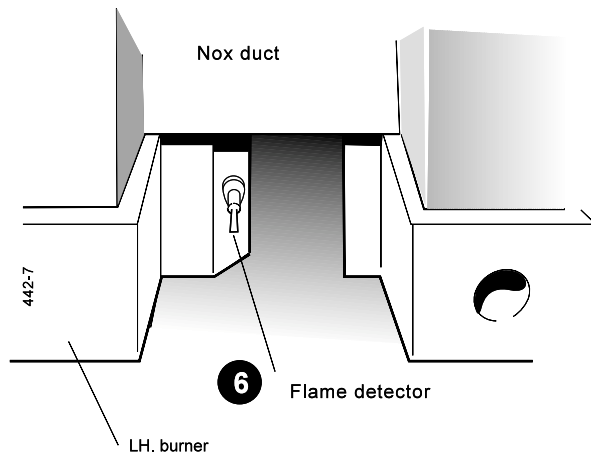
4. Offer up the spark generator assembly to the combustion chamber base tray and secure the bracket, using the M5 screws and washers. Plug the spark generator leads onto the spark electrode connections on the RH end burner - access via the side of the combustion chamber.
5. Ensure the electrical cover is correctly fastened to the spark generator.



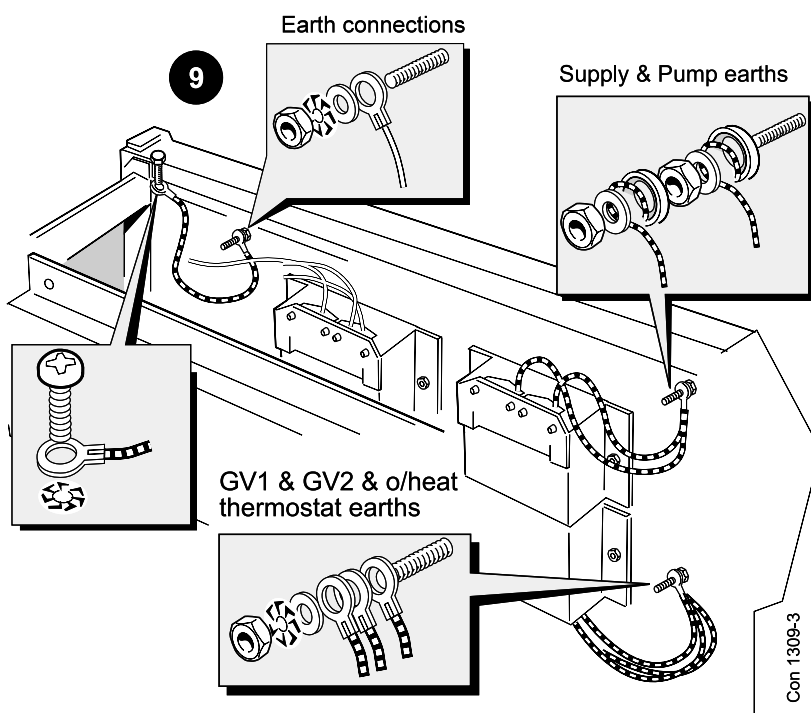
INSTALLATION

13 CONTROL BOX - continued

6. Run the flame detector lead through the clips on the front of the combustion chamber base tray and plug it into the flame detector electrode on the LH end burner. Ensure that any slack is tucked neatly into the clips then fasten the clips.
7. Unstrap the thermostat sensor lead and run both the sensor and the overheat thermostat phial through the clips on the appropriate casing side panel to the flow header, ensuring that both leads run under the support angle.
8. Secure both phials into the thermostat pocket in the flow header, using the spring clip.



9. Fit the earths lead as shown in the illustration.
10. Fit the casing upper front panel with its location buttons in the slots and push down to locate. Fasten at the bottom, using the No.8 screws.
11. Fit the casing lower front panel by locating its slots over the shoulder screws in the side panels and pushing down to locate.



Con 1309-3

14 ELECTRICAL CONNECTIONS

WARNING. This boiler must be efficiently earthed.

Connection must be made in a way that allows complete isolation of the electrical supply - such as a double pole switch, having a 3mm (1/8") contact separation in both poles, or a plug and socket serving only the boiler and system controls. The means of isolation must be accessible to the user after installation.

This should serve only the boiler, together with its controls and pumps. The supply must be wired direct to the boiler control box and must not be interrupted by any system controls. The pump(s) and any system controls must be wired back to the boiler control box.

The mains supply to the boiler must be wired into the boiler terminals L1, N on the plug-in mains voltage connector shown below and in Frame 15. The earth must be wired to the earth post as shown in Frame 13.

The control box incorporates a pump overrun device which is necessary to dissipate residual heat after plant shutdown. It is essential that the main pump (or shunt pump if used) is wired to the pump terminals marked L2, N on the plug-in mains voltage connector shown below and in Frame 15. The earth must be wired to the earth post as shown in Frame 13.

If no external controls are fitted, it is essential that a link is wired in place of it on the "Mains voltage connector".

The flow switch should be connected via volt free contacts to the 'Flow S' terminals. A link may be fitted in place of the flow switch but the control will not be able to analyse the faulty flow switch, if such a failure should occur. Either of the above must be fitted or the boiler will not operate.

Any system controls should be connected, via volt free contacts, to the terminals marked 'EXT C'. **Do NOT connect an external clock to these contacts or any mains voltage.**

All wiring that is associated with the EXT C terminals should be separated from other current carrying cables by a minimum of 100mm. It is preferable to have the volt free contacts as close to the boiler control as possible thereby avoiding long lengths of cable to the EXT C terminals on the boiler control panel.

The boiler provides frost protection via the boiler sensor. If an external frost thermostat is required contact **Caradon Plumbing Limited**.

The internal wiring of the boiler control box is shown in Frame 15.

Wiring should be PVC insulated cable, not less than 0.75mm² (24/0.2mm). All fuses must be ASTA approved to BS. 1362.

The length of the conductors between the cord anchorage and the terminals must be such that the current conductors become taut before the earthing conductor, if the cable or cord slips out of the cord anchorage.

The earth connections MUST NEVER be omitted.

Wire the earths as shown in Frame 13.

All wiring between entry at the rear of the boiler and the connection box must be secured neatly under the cable clips provided.

Wiring must never be allowed to come into contact with any heated surfaces nor should any permanent wiring prevent the withdrawal of the burner tray for servicing.

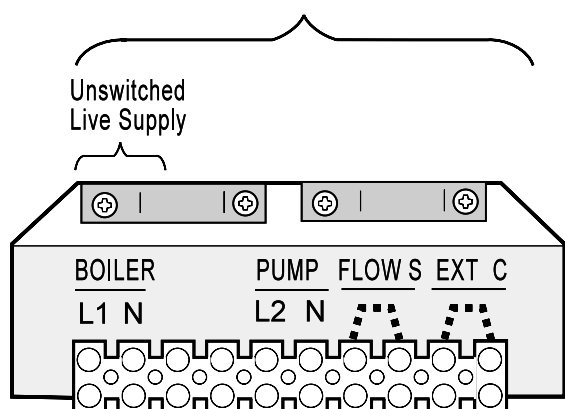
Connect the plug from the rear of the controls box to the High/Low operator on the top gas valve.

Fit the plug-in connector into the mains voltage connection box at the back of the control box and fasten, using the M4 screws and washers.

Check that the other 2 plug-in connectors are fitted into their respective boxes.

Finally, fit the casing top panel and push down to locate.

Installer connections



MAINS Voltage

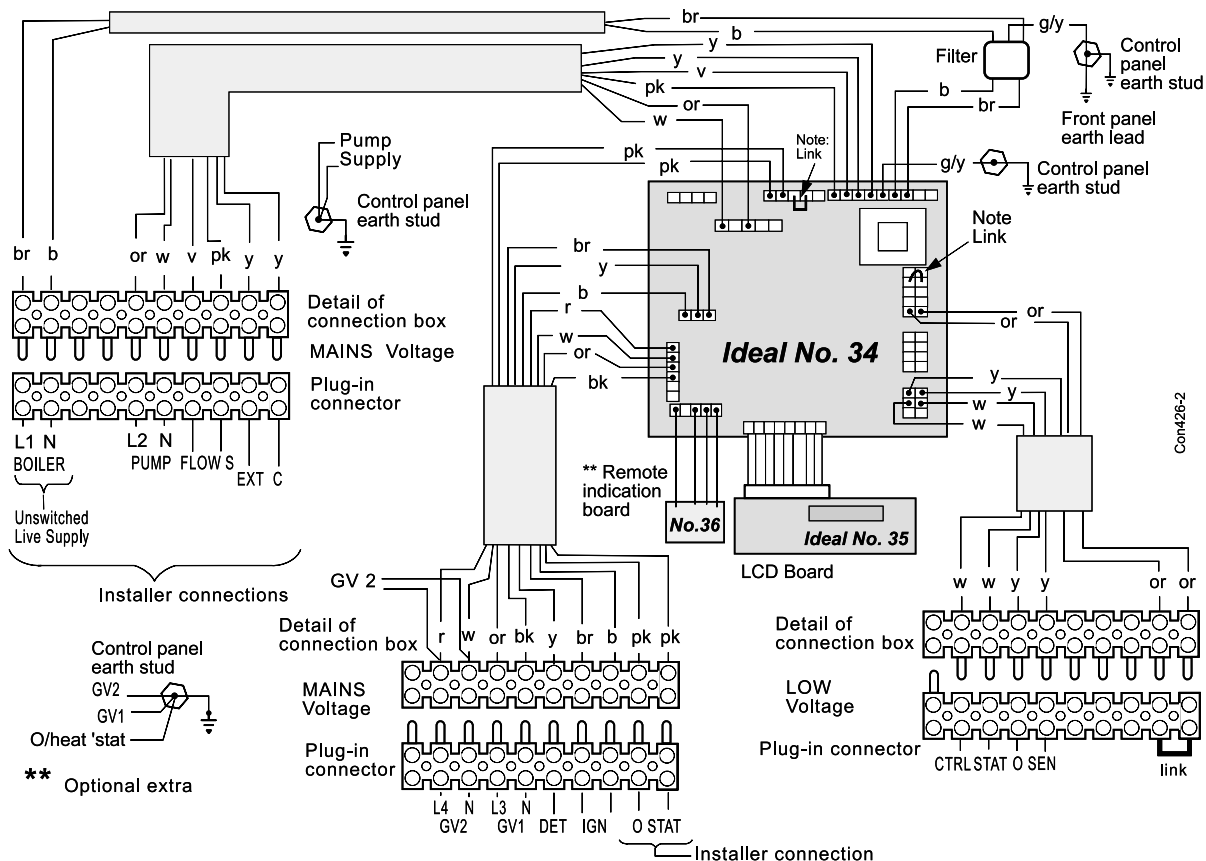
Plug-in connector

INSTALLATION

15 INTERNAL WIRING

LEGEND

b blue	br brown	y yellow	g/y green/yellow	v violet
bk black	r red	w white	or orange	pk pink



16 ZONES WITH BI-DIRECTIONAL MOTORISED VALVES

IMPORTANT

Terminal L2 may control the appropriate pump(s) directly, provided that the total running or starting current does not exceed 6A (resistive or inductive): if this rating would be exceeded then appropriate switchgear must be used to control the pumps indirectly.

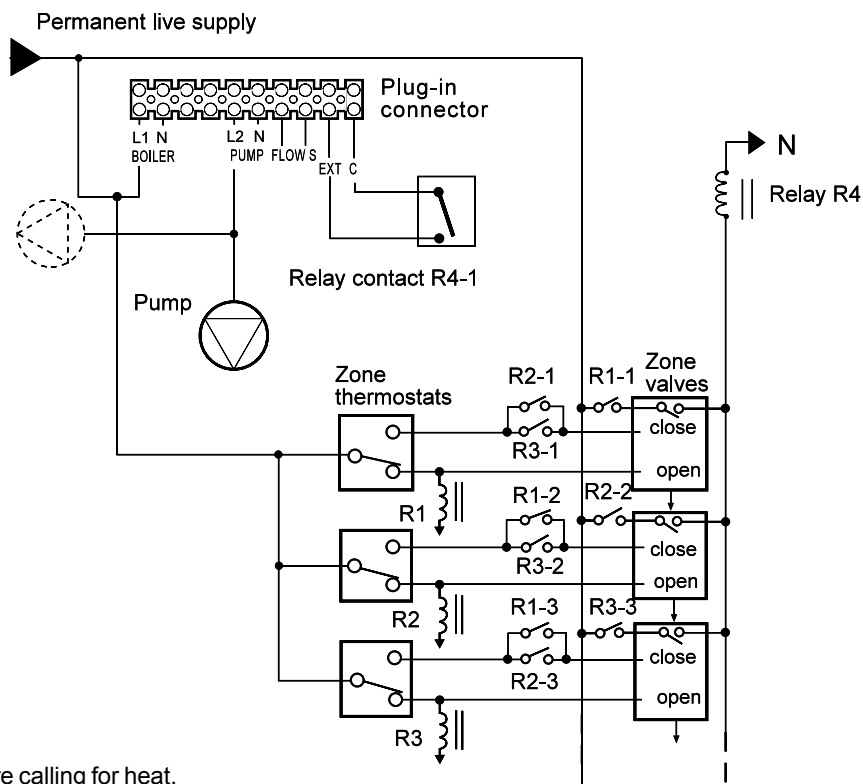
Three zones are illustrated but the principles may be extended as required, provided the above conditions are met. Each relay will then require as many contacts as there are zones.

Overrun

Since any zone may be the load during overrun, all zones MUST individually be able to satisfy the conditions in the foregoing paragraph and Graph 1. If not all zones can do this then consider other means of control, detailed on other sheets.

Normal operation

When any thermostat is satisfied while others are calling for heat, power is available via relay contacts to close the valve for that zone. When all thermostats are satisfied (also when the clock period ends) all relays will be off, so the zone valves which were open will remain open for the pump overrun period.



At the start of the next call for heat (or the next clock period) valves on zones not calling for heat will motor shut.

Water circulation system - refer to page 5

INSTALLATION

17 ZONES WITH INDIVIDUALLY PUMPED ZONES (3 zones shown)

IMPORTANT

Terminal L2 may control the appropriate pump(s) directly, provided that the total running or starting current does not exceed 6A (resistive or inductive): if this rating would be exceeded then appropriate switchgear must be used to control the pumps indirectly.

Three zones are illustrated but the principles may be extended as required, provided the above conditions are met. For each zone (except Zone 1) a relay with 2 c/o contacts is required.

Overrun

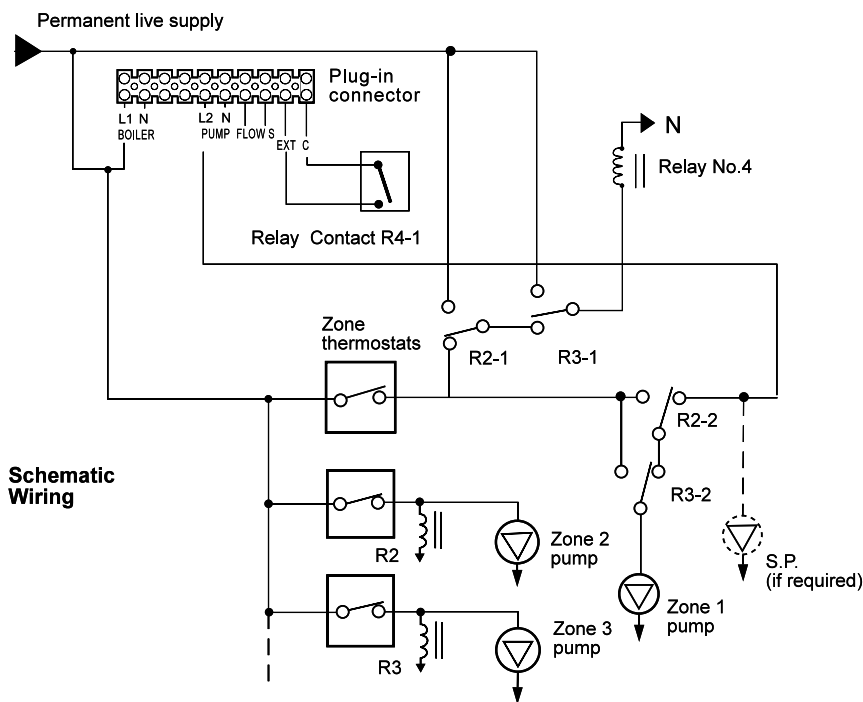
During overrun periods, Zone 1 pump performs the overrun facility; this zone, therefore, must satisfy the conditions in the foregoing paragraphs and Graph 1.

Normal operation

During a call for heat on Zone 1 only, Zone 1 thermostat energises the boiler, which in turn energises Zone 1 pump from terminal L2.

During a call for heat on other zones, the appropriate relay directs power to L1 to energise the boiler, at the same time ensuring that Zone 1 pump is controlled by Zone 1 thermostat.

Water circulation system - refer to page 5



Schematic Wiring

18 ZONES WITH SPRING-RETURN MOTORISED VALVES

IMPORTANT

Terminal L2 may control the appropriate pump(s) directly, provided that the total running or starting current does not exceed 6A (resistive or inductive): if this rating would be exceeded, then appropriate switchgear must be used to control the pumps indirectly.

Three zones are illustrated but the principles may be extended as required, provided the above conditions are met. Only one relay is required, irrespective of the number of zones.

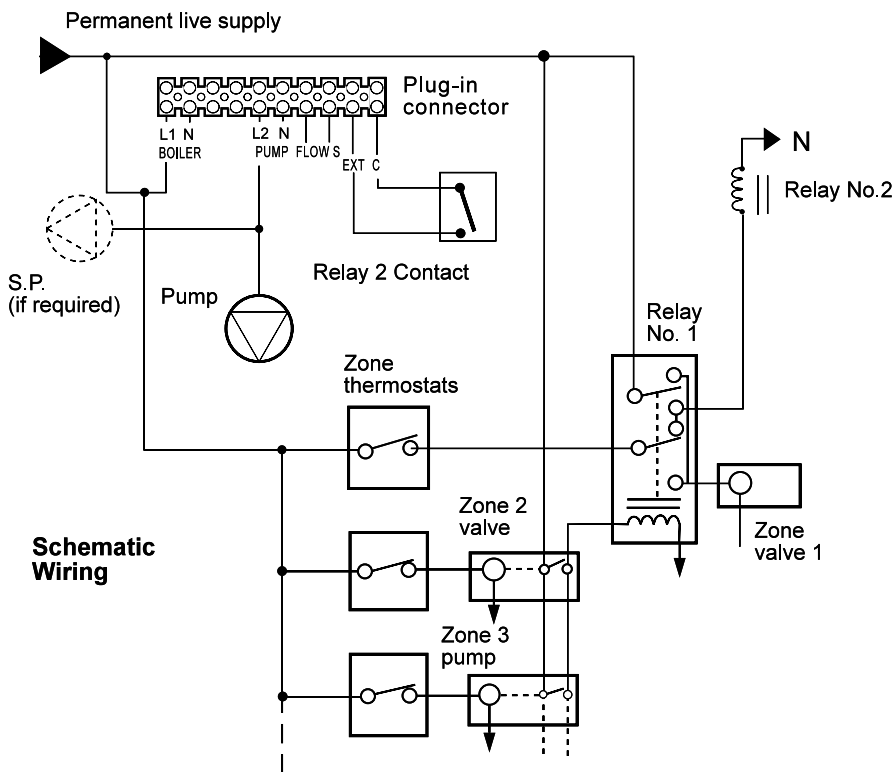
Overrun

During overrun and dormant periods, Zone Valve 1 is held open. This zone, therefore, MUST satisfy the conditions in the foregoing paragraphs and Graph 1.

Normal operation

During a call for heat on Zone 1 only, the boiler energises via Zone 1 thermostat and the normally closed contacts of the relay.

During a call for heat on other zone(s), the relay will be energised by the auxiliary switch on the zone valves. This provides power to energise the boiler. If, in addition, Zone 1 now calls for heat, its thermostat will open Zone 1 valve via the normally open contacts of the relay.



Schematic Wiring

When the clock period ends, Zone valve 1 will (stay) open via normally closed relay contacts to achieve pump overrun.

Water circulation system - refer to page 5

INSTALLATION

20 COMMISSIONING AND TESTING

GENERAL

Check that all drain cocks are closed, that any stop valves fitted to the flow and return pipes are open and that the system has been filled and properly vented.

PURGING

Check that the electricity supply is switched OFF.

Extinguish all naked lights and open all doors and windows. DO NOT SMOKE. Check that the gas supply is turned ON at the meter and open the main gas inlet cock. Loosen the union and allow air to be purged from the gas line until gas is smelled. Refer to BS 6891 or IGE-UP-1 for further details. Retighten the union.

TESTING FOR GAS SOUNDNESS

Close the gas supply cock at the meter.

Remove the screw in the inlet pressure test point, Frames 24/25, and connect a gas pressure gauge to the test point - take particular care to ensure a gastight connection. Open the gas supply cock at the meter and the appliance gas cock; record the static pressure. Next, close the gas supply cock at the meter. Wait for 1 minute for temperature stabilisation then observe the pressure gauge over a period of 2 minutes.

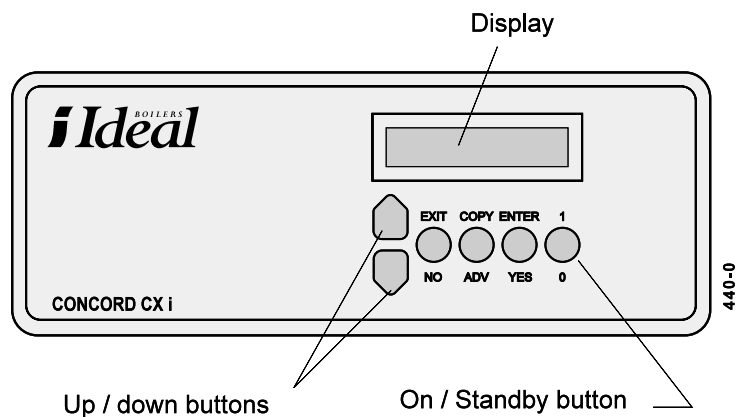
Any leaks must be cured.

Replace all pressure test point screws.

21 INITIAL LIGHTING

The **Concord CXi** incorporates an advanced microprocessor based control system which operates all electrical functions of the boiler including automatic ignition, flame detection, thermostatic control and high/low burner operation. In addition, the microprocessor also has onboard commissioning and servicing instructions and a fault diagnosis programme.

The next section describes the minimum procedure to light and commission the boiler. Full operating instructions for the microprocessor control and details of the high/low operation system are included in Frames 26-31.



22 LIGHTING INSTRUCTIONS

1. Check that the gas and electricity supplies to the boiler are turned OFF.
2. Connect a gas pressure gauge to the inlet pressure test point. (Frame 24).
3. Turn on the gas and electricity supplies. The display will initially show a start-up code followed by:

STANDBY 0

4. Press the [1/0] button. The display will change to:

BOILER ON 1

then change every few seconds to indicate the boiler status. The boiler will commence its ignition sequence.

5. The boiler should light, initially at low rate, for a period of approximately 3 minutes before proceeding to maximum rate. If the boiler fails to light, allow the controls to cycle until ignition is established. If the boiler fails to light after 5 attempts the display will show "Detection Fault". In this

case, the ignition sequence should be reset by pressing the [COPY] button. Check that the gas inlet pressure is at least the minimum value stated in Table 2 when the boiler is firing at maximum rate (High).

6. Whilst the boiler is warming up, observe the display to become familiar with its operation. The display changes automatically between the:

- Boiler status and flow temperature
- Hours run
- Temp set
- Programmer status
- Enter for menu
- Day
- Date and time

Note that, as the boiler flow temperature approaches the thermostat setting, the boiler is automatically reduced to low rate.

This feature is designed to improve overall operating efficiency and reduce short cycling under low load conditions. The controls will automatically switch the boiler between high and low, upon demand.

23 CHECKING THE MANIFOLD PRESSURES

Turn the boiler OFF by pressing the [0/1] button and allow the flow temperature to cool to less than 50 °C.

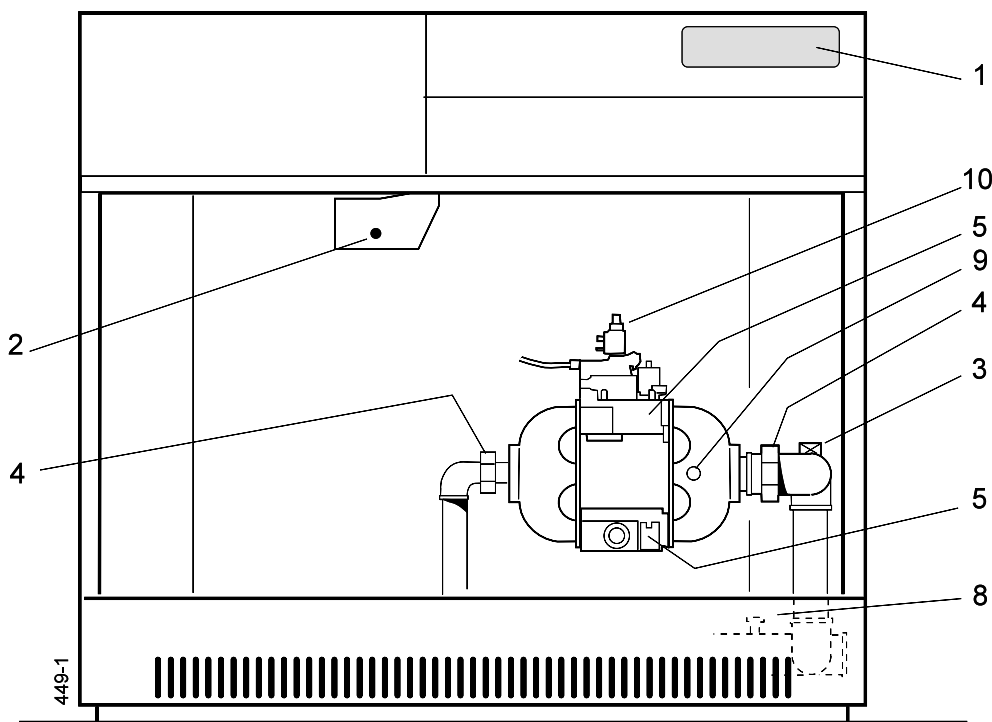
Connect a pressure gauge to the burner manifold test point (Frames 24 or 25).

Press the [0/1] button again to turn the boiler ON.

The boiler will operate at low rate for approximately 3 minutes before proceeding to high rate (this will only happen if the flow temperature is below 55 °C otherwise the boiler will proceed immediately to high rate).

Observe the burner pressures and compare them to the values given in Table 1. If either pressure differs by more than 10% reset the pressures by following the procedure in Frames 24 & 25.

24 ADJUSTING THE MANIFOLD PRESSURES



LEGEND

- | | | |
|--------------------------------------|--|---|
| 1. Fascia panel display. | 6. Screw - minimum adjuster. | 2. If desired, it is possible to use the onboard commissioning instructions, using the [UP] / [DOWN] arrow buttons. However the following paragraphs provide more detailed instructions and are recommended until the installer is familiar with the Concord CXi . |
| 2. Overheat thermostat reset button. | 7. Gas rate adjuster - maximum. | 3. It is essential to adjust the maximum setting first. |
| 3. Main gas inlet cock. | 8. Burner setting pressure test point. | 4. Adjust the system controls to ensure that the boiler will operate at high rate for a reasonable period. |
| 4. Union. | 9. Inlet pressure test point. | 5. Remove the dust cover from the adjustment screw in the bottom valve and gently screw the adjustment <i>in</i> fully. |
| 5. Gas control valve. | 10. High/low solenoid connector. | 6. Remove the dust cover from the adjustment screw on the top (high/low) valve and, using a hexagon key or equivalent, screw the adjuster gently fully in. Then screw the adjuster out until the burner pressure to approximately 11.5 mbar. |

1. Press the [ENTER] button on the fascia panel, press either the [UP] or [DOWN] arrow button until the display shows:

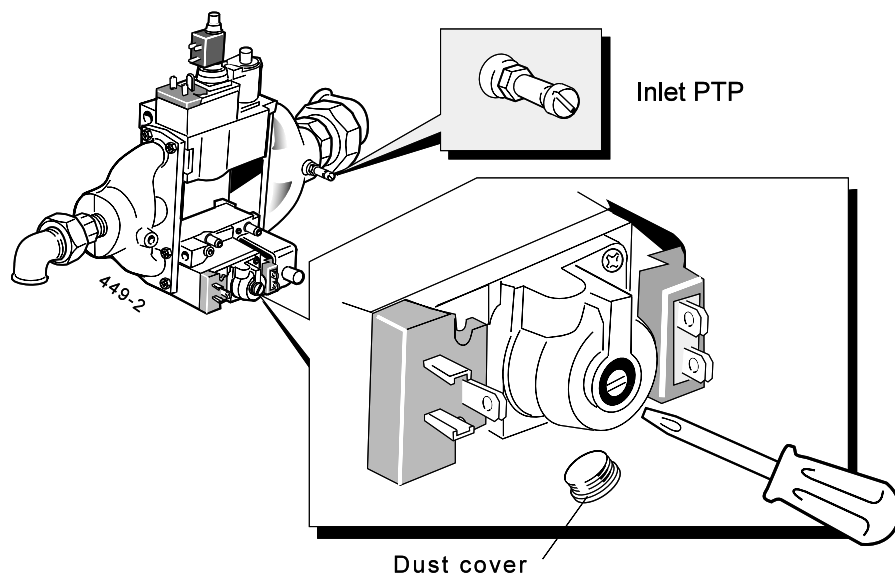
COMMISSIONING

then press [ENTER]. The microprocessor is now in commissioning mode. Failure to enter the commissioning mode will result in a fault condition being detected when the following actions are carried out.

Finally, screw *out* the adjustment on the bottom valve until the burner pressure is correctly set to the value given in Table 1.

INSTALLATION

25 ADJUSTING THE MANIFOLD PRESSURES - continued



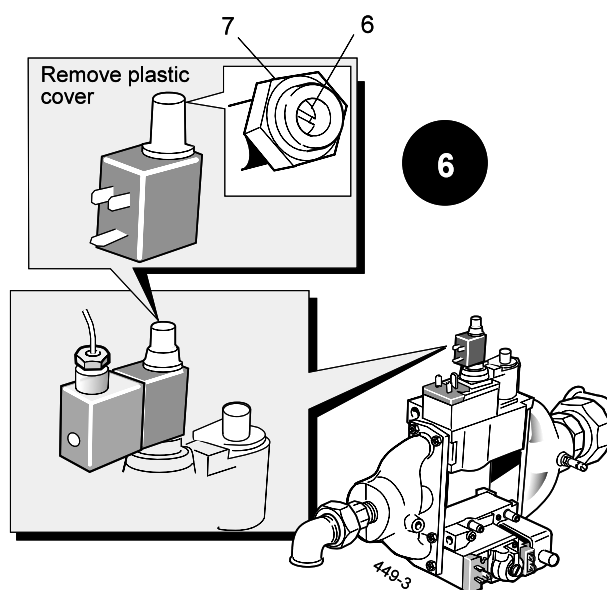
After setting, allow the boiler to operate for 3 minutes to stabilise then recheck the setting.

Note - CXi 180 only.

Do not adjust the middle valve, which is factory set.

7. Press the [0/1] button to turn the boiler off then:
 - a. disconnect the 'high' solenoid plug from the top valve.
 - b. **CXi 180 only** - disconnect one solenoid plug from the middle gas valve.
 - c. Disconnect one solenoid plug from the bottom valve.

Turn the boiler on and set the low pressure to the value given in Table 1, using the low rate adjustment screw inside the spindle of the top valve.



8. Turn the appliance off and reconnect all the solenoid plugs. Do not overtighten the solenoid plug fixing screws. Refit the dust cover over the adjustment screws and refit the pressure test point screw. Check for gas soundness.
9. Press [EXIT] to leave the commissioning mode and return to the main menu.
10. Press [EXIT] again to return to the status displays.

26 OPERATING INSTRUCTIONS

The **Concord CXi** features direct burner ignition, high/low burner operation and a microprocessor control system.

Upon a demand for heat, the controls open the low rate gas valve and provide a rapid spark at the ignition electrode for up to 10 seconds.

The burner will light and remain at low rate for approximately 3 minutes before proceeding to high rate, when the microprocessor opens the remaining gas valve(s).

If the boiler fails to light, the gas valve is closed and there will be a delay of 1 minute before the cycle is repeated. If, after 5 attempts, the burner has failed to light, the boiler will go to lockout and

DETECTION FAULT

will be displayed on the screen.

When the boiler flow temperature reaches the thermostat set point, the controls will turn the burner to low rate. If the flow temperature continues to rise the burner will be turned off at 3 °C above the set point. If, however, the temperature falls below the set point whilst on low fire, the controls will automatically turn the burner back up to maximum rate.

This system has the advantages of ensuring that the boiler accurately maintains the set temperature (without the large temperature swings that can be associated with on/off boilers), prevents rapid or short cycling and provides more efficient system operation.

27 ADDITIONAL FEATURES OF THE CONTROL SYSTEM

In addition to the operational characteristics described above, the control system incorporates the following features accessible to the user or service engineer:

ADJUSTABLE BOILER TEMPERATURE CONTROL

This is factory pre-set at 82°C but may be adjusted by the user between 60°C and 85°C. Refer to Frame 31.

PROGRAMMER TIMER

A maximum of 3 time periods per day can be programmed in to the boiler.

Note. This a boiler timer only and does not replace a conventional system programmer serving more than 1 heating zone.

OUTSIDE SENSOR (optional extra)

If the optional outside sensor is fitted the control system will recognise this and automatically regulate the boiler flow temperature with respect to changes in the external temperature. If the sensor is fitted an extra status information screen will appear, stating whether the device has been activated or not (i.e. compensator on/off).

COMMISSIONING INSTRUCTIONS

These are provided to assist the installer to commission the boiler.

SERVICING INSTRUCTIONS

These are provided to assist the service engineer.

FAULT DIAGNOSIS

In the unlikely event of a fault condition, the microprocessors will identify the fault area and display a suitable message on the display.

Further to these accessible features there are other features present in the system which the installer/service engineer should be aware of.

HOURS RUN LOG

This feature enables the installer to determine the workload of the boiler.

PUMP OVERRUN

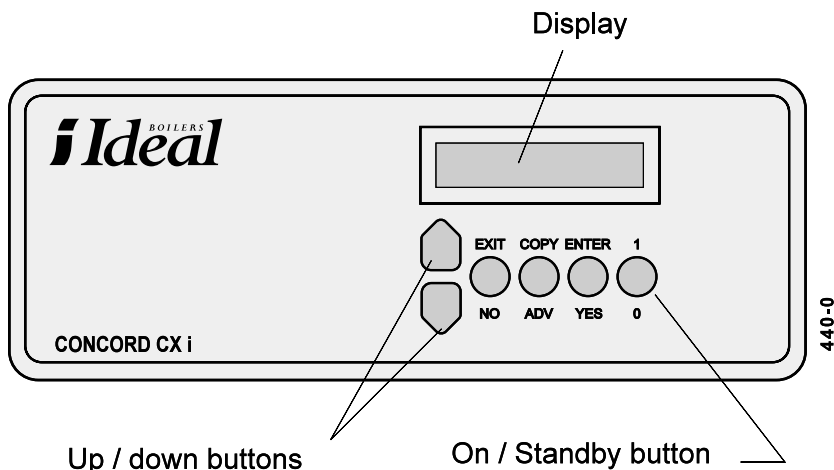
If the flow temperature is above 75 °C at the time of boiler shutdown the controls will maintain pump operation until the residual heat within the appliance has been dispersed and the flow temp is below 75 °C.

ANTI-CYCLE DEVICE

On any heating system, if the heating load is very low, there is a tendency for the boiler to cycle on and off rapidly. This is inefficient and can lead to shortened boiler life. The high/low operating system of the **CXi** minimises the risk of this but, in addition, the controls prevent the boiler from short cycling by preventing subsequent ignition within a period of 2 minutes. When active, the display will show:

ANTICYCLE (flow temp)

28 DESCRIPTION AND OPERATION OF BOILER CONTROLS



at STANDBY. If the boiler is at STANDBY the rotating information screens will not be in evidence.

To switch the boiler on press the On/Standby [1/0] button. The display will show :-

BOILER ON 1

This display will be retained for 5 seconds before the information screens are displayed.

INFORMATION SCREENS

If the optional outside temperature kit, enabling weather compensation, has been fitted the display will indicate the compensated set point temperature.

An example of the display is as follows :-

MONDAY
14 : 10 19 / 09 / 95
ON HIGH 50 °C
HOURS RUN 250
TEMP SET 82 °C
PROGRAMMER ON
"ENTER" FOR MENU

ON / STANDBY [1/0] BUTTON

Turns the boiler on and to STANDBY.

WARNING.

STANDBY does **NOT** electrically isolate the boiler.

When this switch is in the STANDBY position the display will show :-

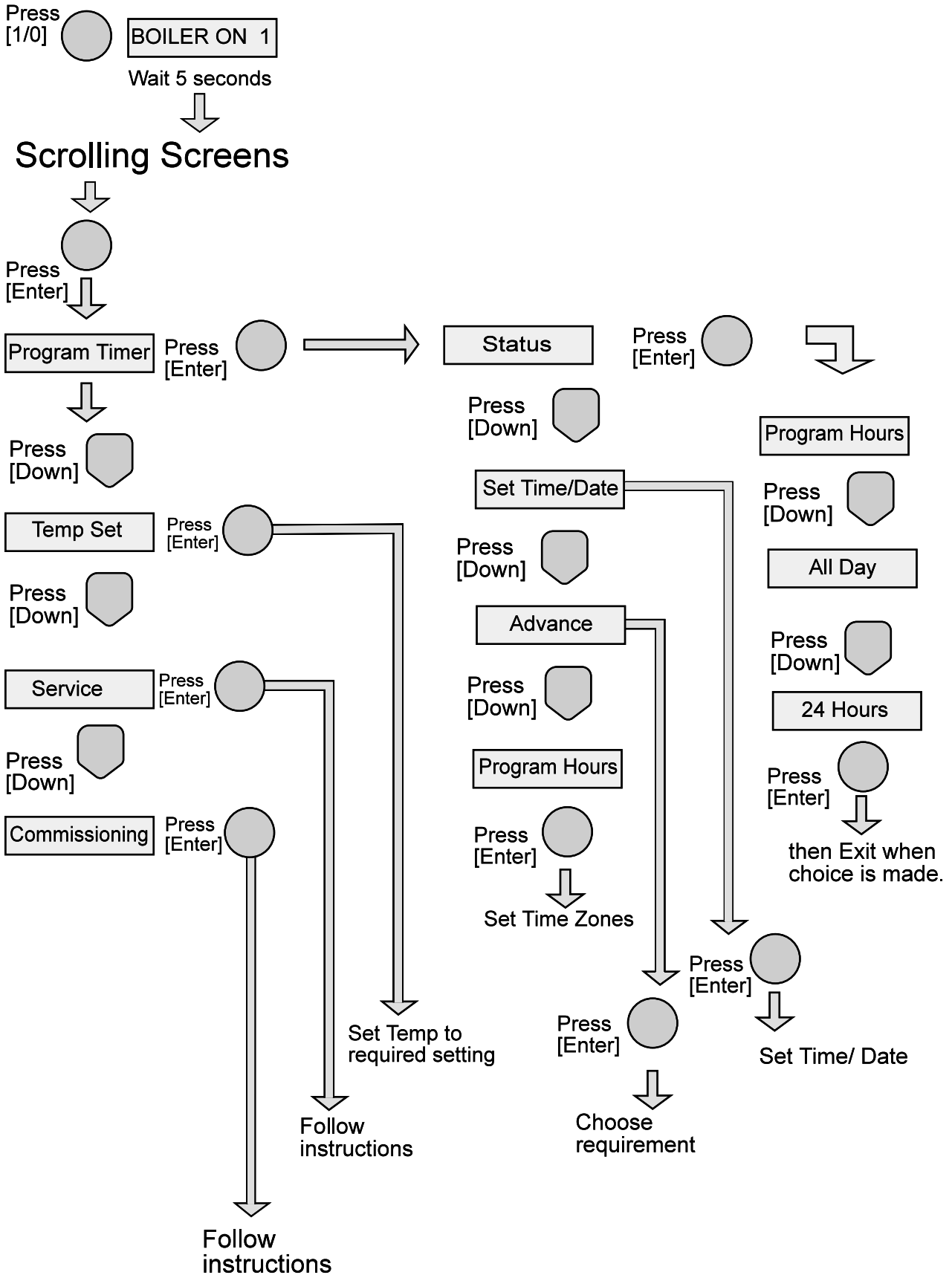
STANDBY 0

On initial start up the boiler will indicate the hardware and software code, the boiler type and indicate if the boiler is ON or

INSTALLATION

29 DESCRIPTION AND OPERATION OF BOILER CONTROLS - continued

The diagram below shows the sequence of steps to be taken when reading the instructions on the following pages.



30 DESCRIPTION AND OPERATION OF BOILER CONTROLS - continued

MENU

To access the menu screen ensure that the information screens are being displayed.

Any key, except the [1/0] button, may now be pressed to access this feature but, as indicated on the information screen, the [ENTER] button is the preferred means.

On entering this option the first screen displayed will be:-

PROGRAM TIMER

The [DOWN] button can be pressed consecutively to access the features required, which are as follows:-

TEMP SET

SERVICE

COMMISSIONING

If the weather compensation option is fitted then a further screen will be displayed after commissioning.

The [UP] button will access the above options in reverse. When the required option is displayed and the [ENTER] button pressed another set of menus will be available, as discussed on the following pages.

PROGRAMMER TIMER

The programmer has 3 time zones per day for each day of the week. Each day can be programmed for the requirements of that day, giving 7 programmed days or, using the copy facility, any number of days can be the same. If a particular time zone is not required then the ON and OFF periods should be programmed for the same time.

Each button has an auto repeat function.

The programmer is based on a 24 hour clock and the boiler comes with a backup programme set for :

All Day

The boiler will respond to this programme unless an alternative is programmed in.

Using the [UP] or [DOWN] button select the "Programmer Timer" from the menu and press [ENTER]. The following menus will be available using the [UP] or [DOWN] buttons:

STATUS

or

SET TIME/DATE

or

ADVANCE

or

PROGRAM HOURS

- to select any of them use the [UP] or [DOWN] button until the required option is displayed then press [ENTER].

STATUS

Enables the selection of programme hours, all day usage or 24 hour.

If the "Programme Hours" option is selected the boiler will go on and off, subject to the times programmed.

If ALL DAY usage is selected the boiler will come on at the first "ON" period selected and off on the last "OFF" period selected, ignoring all other time settings. Based on the above backup programme this means the boiler would run, subject to any other external controls, from 07:30 to 22:00 hours.

If 24 HOUR is selected, the programme times will be ignored and the boiler will run subject to the external controls until one of the other options is again selected.

SET TIME/DATE

Enables the correct time and date to be entered.

The display will show a flashing day of the week as follows :-

TUESDAY

The correct day can be selected by use of the [UP] or [Down] button - when correct the [ENTER] button should be pressed. The time and date will now be displayed as follows:-

10:57 20/09/95

with first - 2 digits, the hours, flashing.

By use of the [UP] or [DOWN] button the correct hour is selected and the [ENTER] button pressed. The minutes will now be flashing and, by use of the [UP] or [DOWN] button, the correct minutes selected and the [ENTER] button pressed.

This method is repeated until the correct day, month and year are selected. On selecting the correct year and pressing [ENTER] the hours will flash. Then, if all the data is correct, the [EXIT] button should be pressed for the control to accept this information.

ADVANCE

Enables the programme to be advanced by 1 hour.

The following display will be available:-

ADVANCE 1HR Y/N?

If the [YES] button is pressed and the programmer is in an OFF period, the boiler will be brought on for 1 hour, subject to external controls. If the boiler is on with less than 1 hour to a programmed OFF period then the difference between this time and 1 hour is the time of the extended ON period. If the boiler is in the 24 hour mode this option will have no effect.

If this advance has been selected, to cancel it then the same

31 DESCRIPTION AND OPERATION OF BOILER CONTROLS - continued

procedure should be followed but the [NO] button pressed.

PROGRAMME HOURS

Enables a user-timed programme to be entered.

The following display will be available:-

MON 1 ON 06 : 30

with the hours, 06, flashing

Using the [UP] or [DOWN] button, select the correct hour and press [ENTER]. The *minutes* will now flash and the correct minutes should be selected, using the [UP] or [DOWN] button, followed by pressing [ENTER]. This will cause the hours to flash and, if the correct ON time has been entered, the [EXIT] button should be pressed. The display will now show the OFF for time zone 1.

This procedure should be repeated for all 3 time zones for Monday.

After the last [EXIT] the display will ask if this day's programmes require to be copied to Tuesday. If the [YES] button is pressed Tuesday's programme will be the same as Monday. This action can be repeated for all the days or as many as required,

If the [NO] button is pressed then all 3 time slots will need to be programmed with the required times.

TEMPERATURE SET POINT

Enables the temperature at which the boiler is required to operate to be set. It has a range of 60 °C - 85°C.

Using the [UP] or [Down] button, select the TEMP SET from the menu and press [ENTER]. The following will be displayed:-

TEMP SET 82

with the temperature flashing.

The [UP] and [DOWN] button should be pressed until the correct temperature is selected and then the [ENTER] button should be pressed - the temperature selected will become stationary. Pressing the [EXIT] button will ensure that the control accepts the new setting and return to the menu.

High / Low Operation

In the example above, when the boiler flow temperature is equal to 82 °C the high rate gas valve will close, allowing the boiler to run at low rate. When the flow temperature exceeds the set temperature by 3 °C (in the example above, 85 °C) the low rate gas valve will close and the boiler will be off. The information screen will display

STANDBY.....85. C

The boiler will remain OFF for a minimum of 3 minutes or until the boiler flow temperature has dropped by 3 °C, whichever is the greater time.

If the boiler load is such that it cycles between high and low

operation the boiler will fall through 3 degrees before the high rate gas valve is energised.

Delayed High Rate Gas Valve Operation

When the boiler is started from cold the high rate gas valve will be delayed for 3 minutes and then energised. If the boiler flow temperature is equal to or greater than 55 °C then this delay will NOT occur.

Notes.

1. *If a fault occurs with the boiler thermostat the fault display screen will show "C/H Sensor Fault".*
2. *When the low rate gas valve is de-energised, as the temperature required has been obtained, the boiler will go into an anti-cycle route for 2 minutes. The display will indicate anti-cycle and the current flow temperature.*

SERVICING

The SERVICE option is intended as a memory aid to the more comprehensive servicing instructions to be found in this manual.

Using the [UP] or [DOWN] button select "Service" from the menu and press [ENTER]. The following display will be available:-

REFER TO SERVICE

GUIDE ON DOOR

The 2 screens will alternate to display this whole message. When using this option, arrow keys will be in evidence to indicate if the [UP] or [DOWN] buttons should be used. It is IMPORTANT that these instructions are carried out precisely and in the order displayed.

COMMISSIONING

The "Commissioning" option is intended as a memory aid to the more comprehensive commissioning instructions to be found in this manual.

Using the [UP] or [DOWN] button select "Commissioning" from the menu and press [ENTER]. The following display will be available:-

REFER TO SERVICE

GUIDE ON DOOR

The 2 screens will alternate to display this whole message. When using this option arrow keys will be in evidence to indicate if the [UP] or [DOWN] buttons should be used. It is IMPORTANT that these instructions are carried out precisely and in the order displayed.

FAULT DIAGNOSIS

In the unlikely event of a fault condition the microprocessors will identify the fault area, displaying a message indicating the nature of the fault to assist a speedy and effective repair.

See "Fault Finding" section for more details.

SERVICING

32 SPILLAGE CHECK

Check that there is no spillage of combustion products from the boiler draught diverter by carrying out a spillage test, as detailed in BS. 5440:1.

33 TESTING

Check that the main burner responds correctly to manual on/off operations of any controls fitted in the gas control circuit. Check, in the following manner, the operation of the flame failure safety device.

1. Extinguish the main burner by turning off the main gas inlet cock. Refer to Frames 41 and 42.
2. Check that the display shows "Detection lockout".
3. Turn on the gas cock and reset by pressing [COPY].
4. Fit the casing front panel.
5. **Important Commissioning / Operating Instructions:**
Do not operate this appliance for long periods or take any combustion readings with the casing or any part of the casing removed.

34 ADJUSTMENT OF WATER FLOW RATE THROUGH THE BOILER

When commissioning the heating/domestic hot water system the shunt pump must be adjusted to give the minimum flow rate given in Table 4, when that part of the system intended to be used for dissipation of residual heat only is in operation.

35 HANDING OVER

ROUTINE OPERATION

Full instructions covering routine lighting and operation of the boiler are given on the Lighting and Operation Instruction Label located on the inside of the casing door.

Draw the attention of the boiler owner or his representative to the Lighting and Operating Instruction Label on the inside of the front panel. Give a practical demonstration of the lighting and shutting down of the boiler.

Describe the function of the boiler and system controls and show how they are adjusted and used.

Hand over these and the User's Instructions to the customer and request him to keep them in a safe place for ready reference.

IMPORTANT. Point out to the owner that the boiler must have regular maintenance and cleaning, at least annually, in order to ensure reliable and efficient operation. Regular attention will also prolong the life of the boiler and should preferably be performed at the end of the heating season.

Recommend that a contract for this work should be made with a CORGI registered engineer.

SERVICING

36 SERVICING

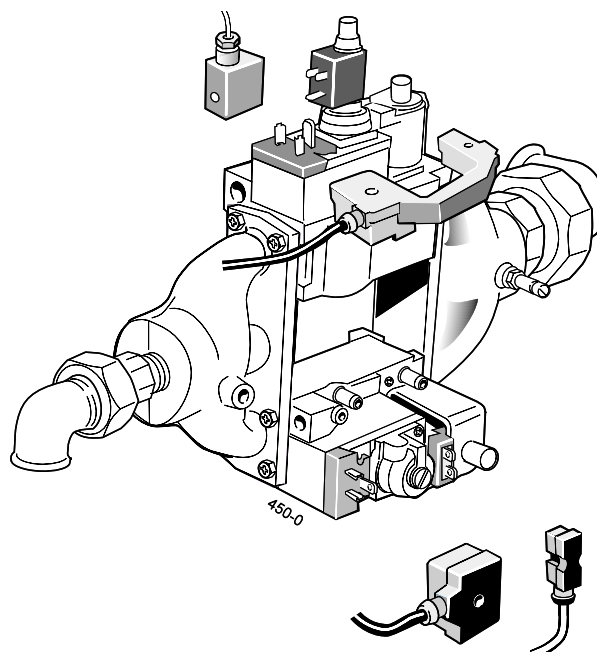
Caradon Plumbing Limited does not accept any liability resulting from the use of unauthorised parts or the repair and servicing of appliances not carried out in accordance with the Company's recommendations and specifications.

A comprehensive service should be carried out at least once a year. The User is advised to make a contract with a CORGI registered engineer.

WARNING. ALWAYS turn OFF the gas supply at the gas cock and switch OFF and disconnect the electricity supply to the appliance BEFORE servicing or replacing any components.

CLEANING THE BOILER

Remove the casing door panel. Lift and remove the casing lower front panel. Undo and pull off all the plugs from the gas valve solenoids. Turn off the gas at the gas inlet cock. Undo the 2 unions at either side of the gas valve assembly and remove the assembly complete.



37 SERVICING - continued

Pull off the leads to the spark electrode on the RH end burner - access via the side of the combustion chamber. Pull off the lead to the flame detector electrode at the LH end burner.

Lift off the casing top panel. Undo the 3 elongated nuts from each of the NOx ducts and remove all the ducts. Undo the M5 nuts and washers retaining the burner light back shield and remove it. Undo the four M6 nuts and washers securing the burner tray and carefully pull it from the boiler, ensuring that **no wires are trapped**. Undo the screws securing the cleanout cover(s) and remove. Lift out the flue baffles.

Remove all loose deposits from the heat exchanger (especially from between the fins), using the brush provided, and remove all debris from the combustion chamber floor - take care not to damage the insulation.

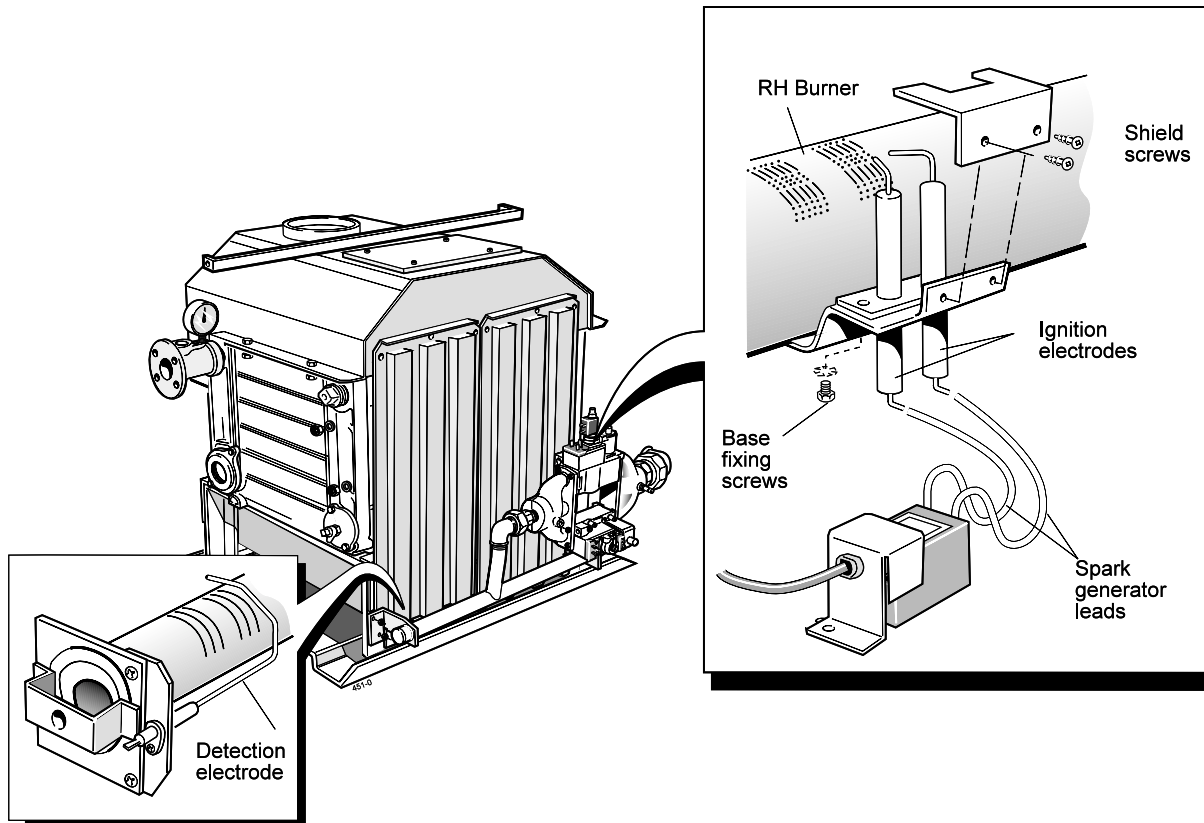
Examine the burner assembly. Clean the burner bars by brushing them down with a stiff bristle (not wire) brush. Check each bar carefully to ensure that all flame ports are clear, that there are no cracks and that all surfaces are free from accumulated deposits.

If available, an industrial vacuum cleaner may be useful to assist in this work. When cleaning the burner bars, take care to avoid damage from rough handling to the ignition or detection electrodes.

Inspect the ignition and detection electrodes.

Ensure that they are clean and in good condition. In particular, check that:

1. The ignition electrode shield and base fixing screws are tight.
2. The electrodes are correctly positioned .
3. Reassemble in reverse order. Ensure that no wires are trapped when replacing the burner tray. Refit the flue baffles, cleanout cover, light back shield, NOx ducts, electrode connections and casing panels.
When refitting the plugs to the gas valve solenoids do NOT overtighten the fixing screws.



38 REPLACEMENT OF COMPONENTS - Refer to Frames 5, 41 and 42.

GENERAL

WARNING. ALWAYS turn OFF the gas supply at the gas inlet cock and switch OFF and DISCONNECT the electricity supply **BEFORE** working on the appliance.

39 GAS CONTROL VALVE

1. Undo and pull off all the plugs from the gas valve solenoids.
2. Turn off the gas at the gas inlet cock. Undo the 2 unions at either side of the gas valve assembly and remove the assembly (complete) to a suitable working area.
3. In order to be able to remove the faulty gas valve it will be necessary to slacken or remove all the screws on either the inlet or the outlet manifold and *only* those 4 screws securing the faulty gas valve on the other manifold. The faulty gas valve can then be removed and replaced. Ensure that the arrow on the gas valve points in the direction of flow.
4. Ensure that new 'O' ring seals are fitted and that the 'O' ring seals on the remaining gas valves are correctly in place. Ensure that all screws are retightened.
5. Test for gas soundness.
6. Recommission the appliance and set the manifold pressure, as described in Frames 23-25.

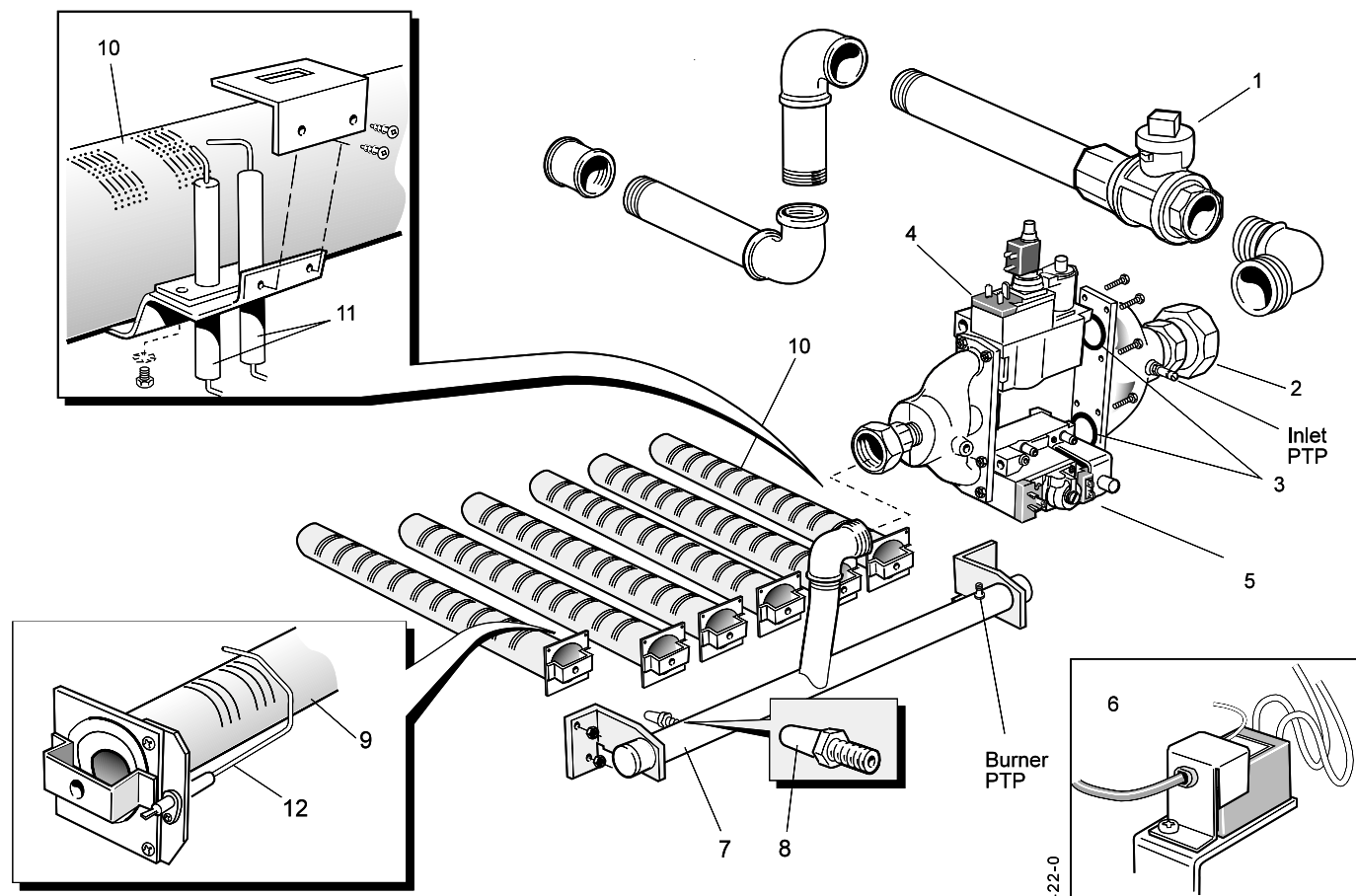
40 MAIN BURNER

1. Remove the burner tray from the boiler, as described in Frames 36-37.
2. Each burner can be removed by lifting it at the back and pushing it backward to clear the injector. Disconnect the spark electrode assembly and heat shield from the RH burner (or the flame detector electrode from the LH burner), as necessary.
3. Reassemble in reverse order.

41 BURNER AND CONTROLS ASSEMBLY - Exploded View - CXi 110-160

LEGEND

- | | | |
|-------------------------|-----------------------|-----------------------------------|
| 1. Main gas inlet cock. | 5. Gas control valve. | 9. Main burner. |
| 2. Gas inlet union. | 6. Spark generator. | 10. Main burner RH. |
| 3. 'O' ring seal. | 7. Burner manifold. | 11. Ignition electrodes. |
| 4. Gas control valve | 8. Main injector. | 12. Detection electrode assembly. |
- PTP Pressure test point.

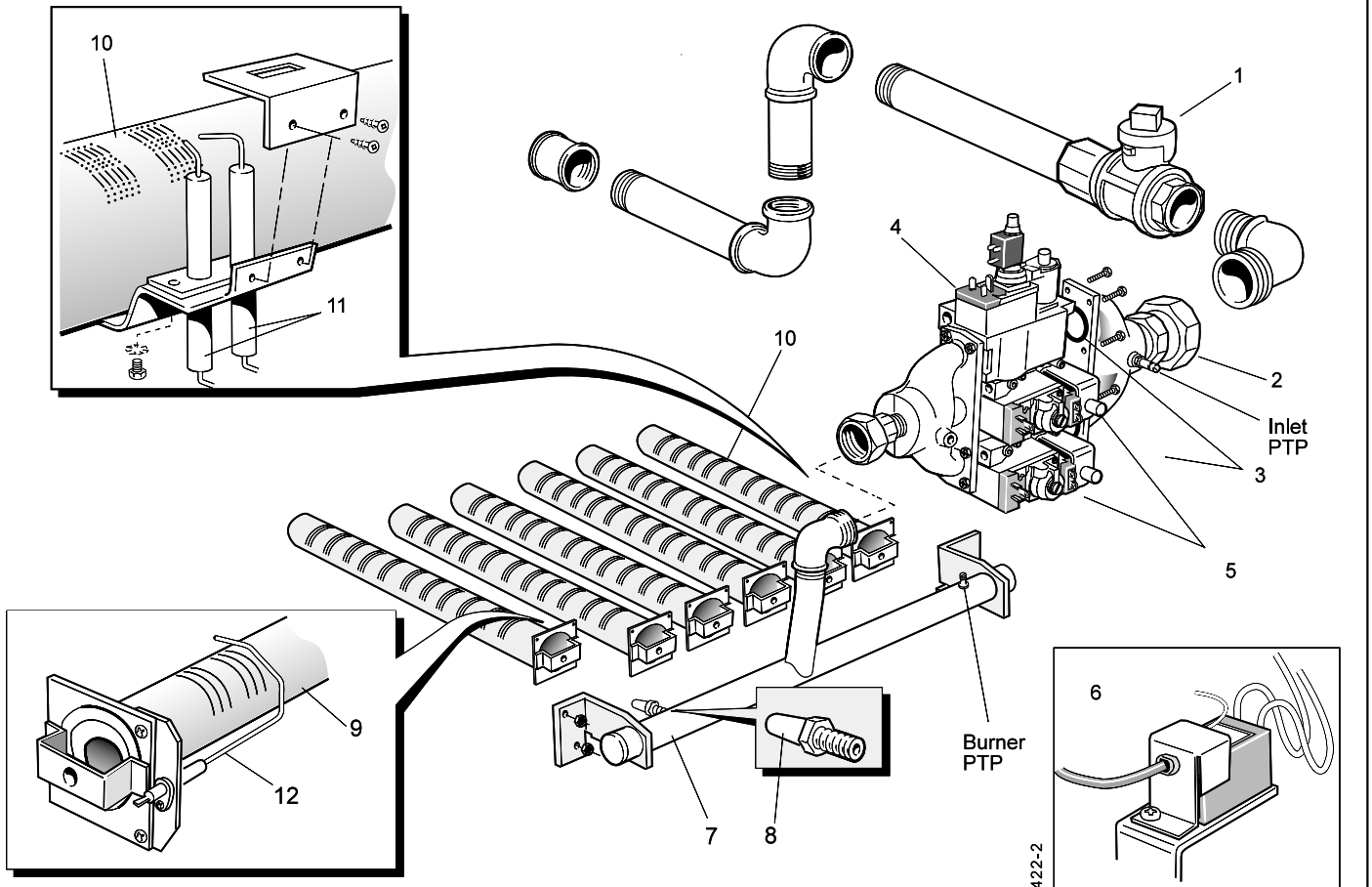


SERVICING

42 BURNER AND CONTROLS ASSEMBLY - Exploded view - CXi 180

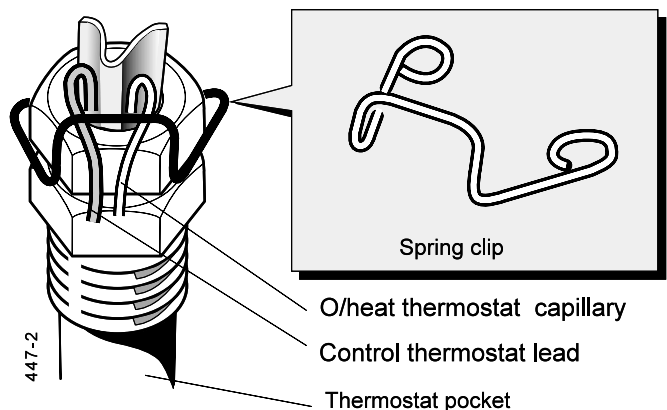
LEGEND

- | | | |
|-------------------------|---------------------|-----------------------------------|
| 1. Main gas inlet cock. | 6. Spark generator. | 10. Main burner (RH). |
| 2. Gas inlet union. | 7. Burner manifold. | 11. Ignition electrodes. |
| 3. 'O' ring seal. | 8. Main injector. | 12. Detection electrode assembly. |
| 4. Gas control valve. | 9. Main burner. | PTP Pressure test point. |
| 5. Gas control valve. | | |



43 OVERHEAT THERMOSTAT

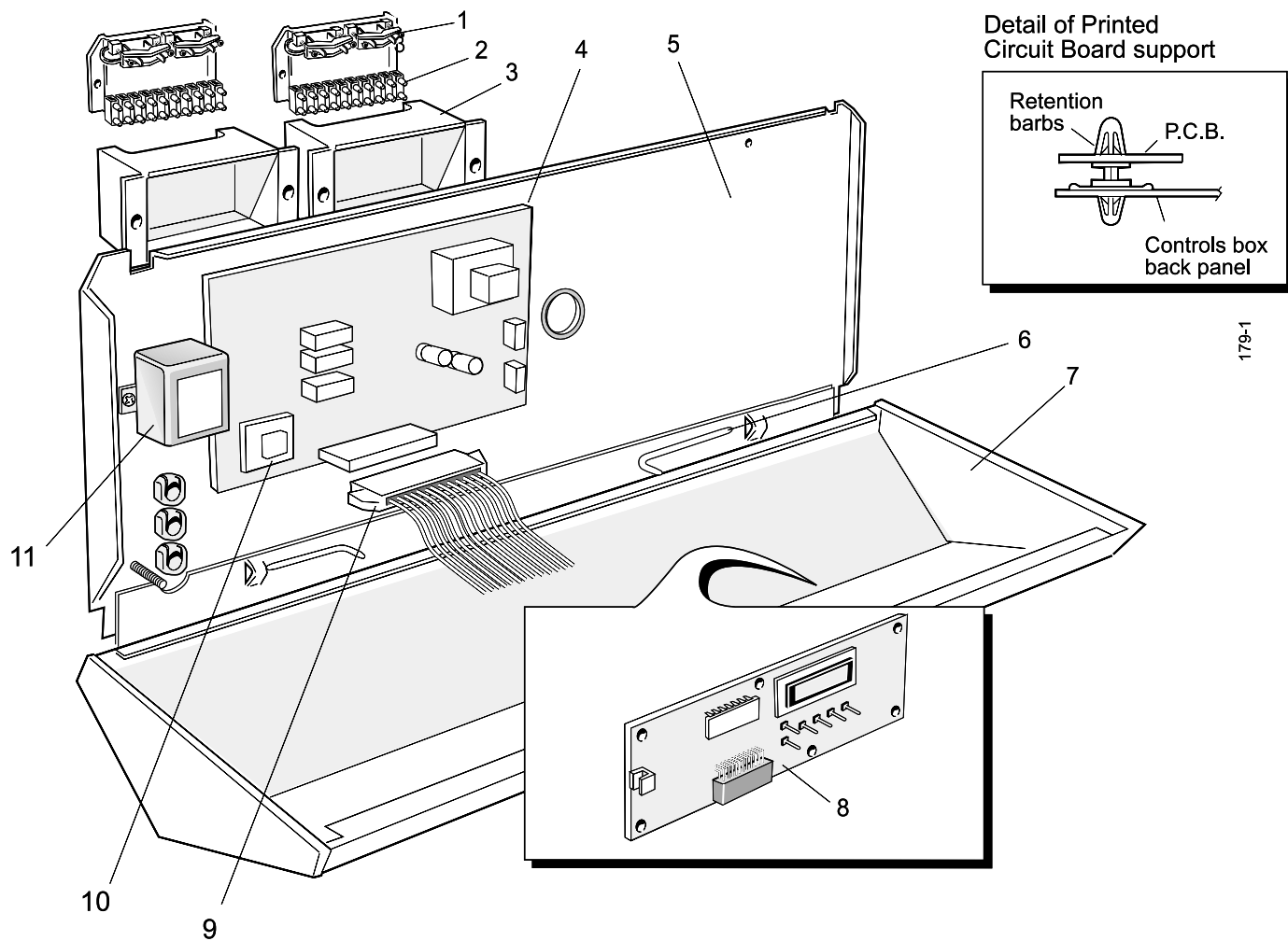
1. Pull out the spring clip in the thermostat pocket in the flow header and pull out the overheat thermostat phial and capillary.
2. Ensure that the electrical supply is switched OFF.
3. Lift off the jacket front panel and top panel.
4. Unclip the capillary from its clips on the jacket side panel.
5. Undo the 2 screws securing the overheat thermostat assembly and withdraw the assembly.
6. Undo the 2 screws securing the thermostat cover to the support bracket and withdraw the thermostat from the cover.
7. Remove the push on terminals from the thermostat body noting their positions.



8. Fit the new thermostat in reverse order (ensuring that the capillary is located in the notch provided in the support bracket). Reconnect the push on terminals to thermostat terminals 1, 2 and earth.

Ensure that the thermostat capillary is re-routed through the jacket side panel clips and that the phial is secure in the pocket fitted to the flow header using the spring clip.

44 CONTROL BOX - Basic Boiler Exploded View

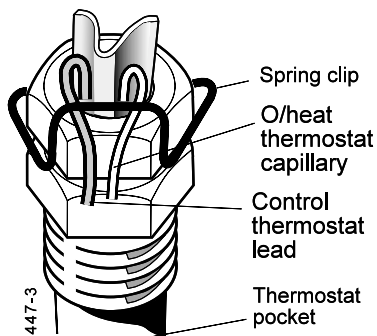


LEGEND

- | | | |
|----------------------------------|----------------------------------|---------------------------------------|
| 1. Wiring clamp. | 5. Back panel. | 9. Ribbon cable. |
| 2. Connection box plug. | 6. Hinge pin. | 10. Printed circuit board No. RTC/34. |
| 3. Connection box. | 7. Controls box. | 11. EMC filter. |
| 4. Printed circuit board No. 34. | 8. Printed circuit board No. 35. | 12. Controls box fascia (not shown). |

45 CONTROL SENSOR

1. Lift off the casing top panel.
2. Trace the sensor lead to the pocket in the flow header, remove the spring clip and remove the sensor phial.
3. Unclip the sensor lead from its clips on the casing. Undo the screws on the connector box plug and remove it.
4. Fit the new sensor and reassemble in reverse order.



46 PC BOARD NO. 34

1. Remove the casing door panel.
2. Slacken the 2 screws securing the control box front panel. Carefully lift it up and hinge forward.
3. Release the ribbon cable from PCB No. 34 by pushing the retaining tabs sideways.
4. Release all plug connections from the board.
5. Remove the real time clock board (PCB No. RTC/34) from PCB No. 34 by pulling gently forward.
6. Release PCB No. 34 from the 7 plastic mounting pins and 2 screws and pull it forward.
7. Reassemble in reverse order.

SERVICING

47 PC BOARD NO. 35

1. Remove the casing door panel.
2. Slacken the 2 screws securing the control box front panel. Carefully lift it up and hinge forward.
3. Release the ribbon cable plug from PCB No.35.
4. Release PCB No.35 from the 6 plastic mounting pins and replace the board.
5. Reassemble in reverse order.

48 PC BOARD NO. RTC/34

1. Remove the casing door panel.
2. Slacken the 2 screws securing the control box front panel. Carefully lift it up and hinge forwards.
3. Remove the real time clock board (PCB No. RTC/34) from PCB No. 34 by pulling gently forward.
4. Reassemble in reverse order.

49 COMBUSTION CHAMBER INSULATION REPLACEMENT

The insulation boards used in the combustion chambers of these products contain man-made fibres, refractory fillers, organic and inorganic binders and as such are deemed to be harmless to humans.

Caradon Plumbing Limited, however, recommend that for your own comfort and to comply with good working practise the procedure described below is followed.

IMPORTANT. Turn OFF the gas and **DISCONNECT** the electricity supply.

To replace the insulation boards the major boiler components (including the heat exchanger and burners) have to be removed to gain access to the combustion chamber.

Prior to removal of the boards the following protective equipment should be worn:

- Face mask supplied with the spare part.
 - Gloves supplied with the spare part.
- 1 Damp down the combustion chamber area containing the insulation boards.
 2. Remove the insulation boards. The replacement boards are supplied in a plastic bag. This bag should be retained and the discarded boards should now be placed into it.
 3. Sweep any dampened particles and place in the plastic bag.
 4. Fit new insulation boards.
 5. Remove the gloves and face mask and place them in the plastic bag.
 6. Wash your hands and any areas of skin which may have come into contact with any of the particles from the insulation board.
 7. Seal the plastic bag and dispose of it and its contents into a commercial tip.

50 BOILER CONTROL

WARNING

The ON/STANDBY [1/0] button does **NOT** electrically isolate the boiler.

Before attempting any electrical fault finding ALWAYS carry out the preliminary electrical system checks, as detailed in the Instructions for the British Gas Multimeter or other similar commercially available meter.

The preliminary electrical system checks are the FIRST electrical checks to be carried out during a fault finding procedure.

On completion of any service / fault finding task which has required the breaking and remaking of electrical connections the following checks MUST be repeated:

- a. Earth continuity
- b. Polarity
- c. Resistance to earth

Detailed instructions on the replacement of faulty components are contained in the 'Servicing' section of these Installation & Servicing Instructions.

GENERAL INFORMATION

If a flow switch is not connected to the boiler a link should be fitted between the 2 terminals for the flow switch. If the terminals are left disconnected the display will indicate "No flow" and the boiler will not operate.

Anti-cycle will be in operation each time the boiler thermostat is satisfied and a rapid demand for heat is required. The same situation will occur if the external controls operate rapidly. This feature reduces component wear and ensures continuous trouble-free operation. The Anti-cycle duration is 1 to 3 minutes.

If the system pump, with a maximum current of 3A, is connected to the boiler pump terminals, pump overrun will be in operation if the flow temperature is greater than 75 °C when the heat demand is satisfied and will continue to run until the boiler flow is less than 75 °C. If the flow temperature is less than 75 °C when the demand for heat is satisfied the pump will cease to operate.

Frost protection is inbuilt with the boiler. If the flow temperature falls to approximately 3 °C then the boiler will operate until the flow temperature exceeds 4 °C. If an external frost thermostat is required the internal programmer should be set to [24 hours] under the programme status menu and an external programmer and frost thermostat wired and connected to the volt-free external control terminals on the boiler.

There is an option kit available with 2 sets of volt-free contacts. 1 set of volt-free contacts is for "Lockout" and "Overheat" combined and 1 set of volt free contacts is for "Boiler run".

There is an option kit available to enable temperature compensation to be used. The outside temperature adjusts the boiler flow temperature to satisfy the heating load and ensure efficient boiler operation.

The gas valves operate on a **High/Low** and **Off** principle. At start up, with the flow temperature less than 55°C, the boiler will start at low rate and, after 1 to 3 minutes, the high rate gas valves will open. On reaching the set point, determined by the

user, the boiler will go to low rate and when the temperature reaches the set point plus 3 °C the low rate gas valve will close. When the temperature falls 2 °C the boiler will start at low rate and remain there until the temperature falls to the set point less 2 °C then the high rate gas valves will operate.

On start up, the high rate gas valves will operate immediately after detection if the boiler flow rate is greater than 55 °C.

In order to determine the continued correct operation of the control, every 4 hours the boiler will shut down for a maximum of 30 seconds to do a self-check operation and restart automatically.

The control will display the number of operational hours of the boiler to the nearest hour and cannot be reset.

The boiler thermostat has a range of 60 °C-85 °C, in 1 °C steps, with an accuracy of ± 2 °C and hysteresis of 3 °C.

The full sequence control enables 5 attempts at ignition, with 1 minute intervals between attempts, followed by nonvolatile lockout if detection does not take place.

If the [0/1] switch on the front panel is at "Standby.....0" then the pump will continue to run indefinitely. In this state the frost protection can not operate.

In "Lock-out" the pump will continue to run only if the temperature is greater than 75 °C. If it is less then the pump will be OFF.

FAULT FINDING

The boiler control has a unique fault diagnostic feature which can, in the unlikely event of a failure, display a message indicating the nature of the fault to assist a speedy and effective repair.

The faults that are diagnosed are; overheat thermostat, pump, boiler sensor, gas valve(s), air pressure switch (if fitted), fan (if fitted), float switch (if fitted), outside sensor (if fitted) with indication of combustion lockout.

In the unlikely event of a fault the display will indicate precisely the fault and give a step by step indication of the method of correcting the fault.

If the HT generator should cease to function it is impossible to automatically display this condition. Should this fault occur then:-

DETECTION FAULT

would be displayed and the subsequent display screens would direct attention to the spark generator.

Should a gas valve fail, the diagnostics will indicate that it is valve 1 or 2 that is at fault. If the boiler has a gas line of 2 double solenoids the diagnostics will indicate which solenoid of the double solenoid is at fault.

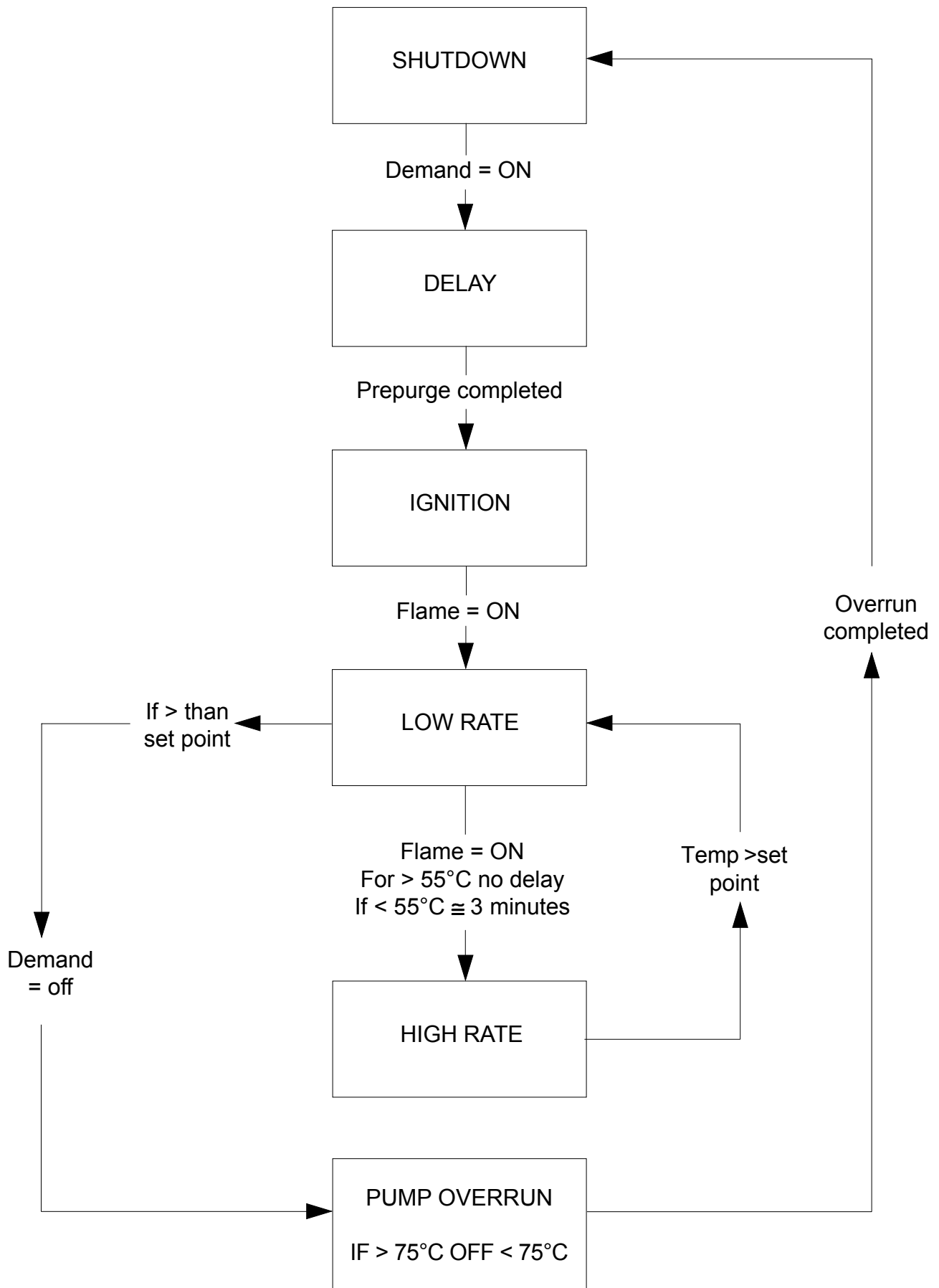
The last fault instruction will be retained.

FAULT CODES

Fault codes numbered 1 to 24 are displayed where applicable. In this event contact **Caradon Plumbing Limited**.

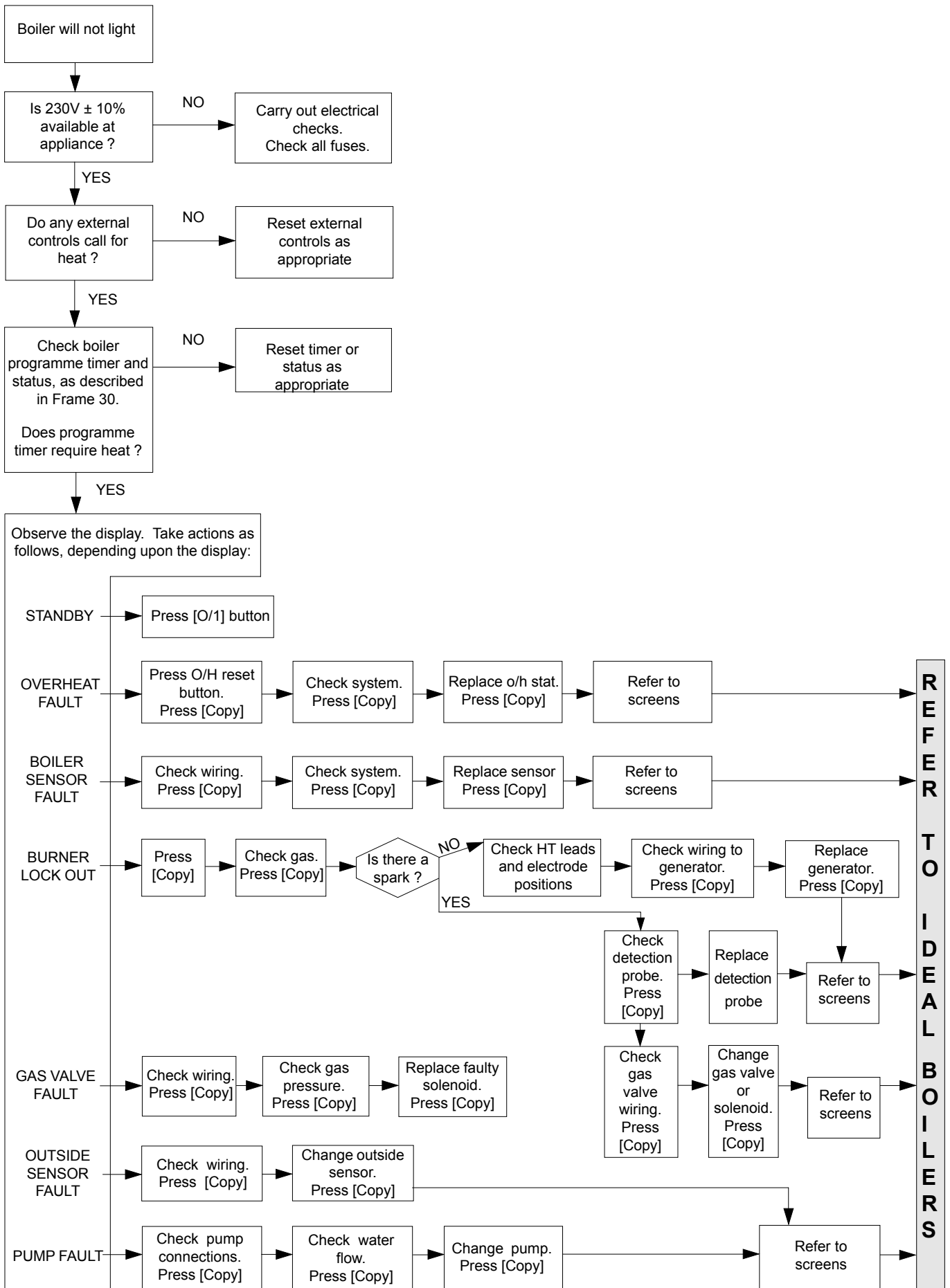
FAULT FINDING

51 SIMPLE FLOW CHART OF OPERATION



FAULT FINDING

52 FAULT FINDING FLOW CHART



SHORT LIST OF PARTS

The following are parts commonly required as replacements, due to damage or expendability.

Their failure or absence is likely to affect the safety and/or performance of this appliance.

When ordering spare parts please quote:

1. Boiler model
2. Boiler serial no. (refer to the data plate on the combustion chamber)
3. Boiler P.I. No. (refer to the data plate on the combustion chamber)
4. Description
5. Quantity
6. Product no.

Key No.	Description	Qty.	Product No.
28	Gas valve HONEYWELL Hi/Lo VR4605P B2003 CXi 110, 120, 140, 160 & 180	1	111 867
28A	HONEYWELL VR4605 A 1104 CXi 110	1	138 896
	HONEYWELL VR4605 A 1104 CXi 120	1	138 896
	HONEYWELL VR4605 A 1104 CXi 180	2	138 896
28B	HONEYWELL VR4605 AB 1019 CXi 140 & 160	1	111 896
28C	Plug - gas valve CXi 110, 120, 140, 160 & 180	1	111 872
28D	Plug and lead - gas valve CXi 110, 120, 140 & 160	1	139 269
28E	Plug and lead - gas valve CXi 110, 120, 140 & 160	1	112 431
28F	Plug and lead - gas valve CXi 110, 120, 140, 160 & 180	1	139 270
28G	Plug and lead - gas valve CXi 180	1	111 870
29	Spark generator	1	139 300
31	Injector 4.02 mm diameter CXi 110	6	013 175
	Injector 4.2mm diameter CXi 120	6	013 180
 CXi 140	7	013 180
 CXi 160	8	013 180
 CXi 180	9	013 180
32	Flame detection electrode	1	
33	Main burners Worgas CXi 110	5	138 663
 Worgas CXi 120	5	138 663
 Worgas CXi 140	6	138 663
 Worgas CXi 160	7	138 663
 Worgas CXi 180	8	138 663
34	Main burner (RH end) Worgas CXi 110 - 180	1	138 664
36	Ignition electrode	1	112 365
45	Control box assembly complete	1	138 695
46	Thermistor	1	112 289
47	PCB 34	1	069 957
48	PCB 35	1	069 960
49	Real time clock	1	069 958
50	PCB 34 and real time clock	1	069 959
51	Ribbon cable	1	069 961

SHORT LIST OF PARTS

Key No.	Description	Qty.	Product No.	
56	Casing assembly complete	CXi 110 & 120	1	138 767
		CXi 140	1	138 768
		CXi 160	1	138 769
		CXi 180	1	138 770
57	Casing - Front panel	CXi 110 & 120	1	138 480
		CXi 140	1	138 479
		CXi 160	1	138 478
		CXi 180	1	138 477
58	Casing - LH side panel	CXi 110 to 180	1	076 978
59	Casing - RH side panel	CXi 110 to 180	1	079 979
60	Casing - Lower front panel	CXi 110 & 120	1	138 475
		CXi 140	1	138 474
		CXi 160	1	138 473
		CXi 180	1	138 472
61	Casing - Upper front panel	CXi 110 & 120	1	138 470
		CXi 140	1	138 469
		CXi 160	1	138 468
		CXi 180	1	138 467
62	Casing - Top panel	CXi 110 & 120	1	138 465
		CXi 140	1	138 464
		CXi 160	1	138 463
		CXi 180	1	138 462
63A	Overheat thermostat - RAK 77.4/3835		1	153914

Technical Training

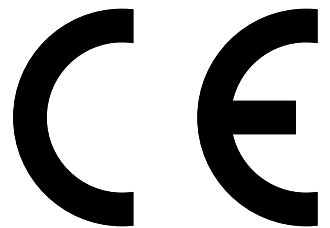
The Caradon Plumbing Limited Technical Training Centre offers a series of first class training courses for domestic, commercial and industrial heating installers, engineers and system specifiers.

For details of courses please ring: 01270 413 624

Caradon Plumbing Limited pursues a policy of continuing improvement in the design and performance of its products. The right is therefore reserved to vary specification without notice.

January 2000

138 959 A05



***i* Ideal** BOILERS

Caradon Plumbing Limited, P.O. Box 103, National Ave, Kingston upon Hull, HU5 4JN. Telephone: 01482 492 251 Fax: 01482 448 858. Registration No. London 322 137. Registered Office: National Avenue, Kingston upon Hull, HU5 4JN. *A subsidiary of Caradon plc*

Ideal Installer/Technical Helpline: 01482 498376

***Your feedback
and your chance to win a free boiler***

At Ideal we've been leaders in the design and engineering of robust and reliable boilers for over 90 years. We want to continue as leaders by listening to your suggestions for how to improve our boilers and our service. We'll be giving away a free boiler for the five best ideas every year (to be selected by our Technical Director). Please complete this form, using extra sheets if required, and post it or fax it to us on 01482 498699.

Boiler details

Model / Size (e.g. Classic RS 230, Mexico CF 3/60 etc. Details on control panel door)

Date of Installation

Installer details

Name

Address

Post Code

Telephone (Please include STD code)

How I would improve this boiler:

My general comments for Ideal:

Caradon 
Plumbing Solutions



Ideal Installer/Technical Helpline: 01482 498376

Further information

If you would like information about Ideal Boilers please complete this sheet and fax it to us on 01482 498699 or post it to Caradon Plumbing Limited, PO Box 103, National Avenue, Kingston upon Hull, HU5 4JN.

Installer details

Name

Address

Post Code

Telephone (Please include STD code)

General information required

- Please send me details of Ideal Training Courses.
- Please arrange for a technical representative to contact me.
- Please arrange for me to join an Ideal factory tour.

Range guides required

- The Ideal Guide: a specifier's and installer's introduction to the Ideal domestic boiler range.
- The Ideal Householders Guide: to assist the installer when presenting to his/her customers.

Technical manuals required

- The Ideal C class combi boiler
- The Ideal Classic wall hung boiler
- The Ideal Classic System wall hung boiler
- The Ideal Classic LX Deluxe wall hung boiler
- The Ideal Mexico floor standing boiler
- The Ideal Minimiser heat-saving boiler
- The Ideal Response combi boiler
- The Ideal Response SE super efficiency combi boiler
- The Ideal Systemiser SE super efficiency system boiler
- The Ideal Concord high output boiler
- The Ideal Buccaneer oil fired boiler

Caradon 
Plumbing Solutions

Caradon Plumbing Ltd., PO Box 103, National Avenue, Kingston upon Hull, HU5 4JN. Telephone: 01482 492251 Fax: 01482 448858.

Ideal Installer/Technical Helpline: 01482 498376