



FLUE DAMPER KIT INSTALLATION

IMAX XTRA 2
80 120 160 200 240 280
80P 120P 160P 200P 240P

When replacing any part on this appliance, use only spare parts that you can be assured conform to the safety and performance specification that we require. Do not use reconditioned or copy parts that have not been clearly authorised by Ideal Heating.

For the very latest copy of literature for specification and maintenance practices visit our website idealheating.com where you can download the relevant information in PDF format.



INSTRUCTIONS

CONTENTS

1.1	Introduction.....	2	1.3	Installing the Motorised Flue Damper into the Flue.....	2
1.2	Flue Damper Kit Parts	2	1.4	Electrical Connections of the Motorised Flue Damper	3

1.1 INTRODUCTION

The following document provides instructions on how to install the Imax Xtra 2 motorised flue damper.

1.2 FLUE DAMPER KIT PARTS

The kits consist of the following parts:

1. Motorised flue damper - Shown in Fig.1.

Note: The 150mm diameter motorised flue damper is for use with 80kW, 120kW and 160kW Imax Xtra 2 boilers. The 200mm diameter motorised flue damper is for use with 200kW, 240kW and 280kW Imax Xtra 2 boilers.

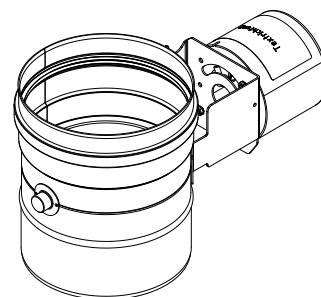
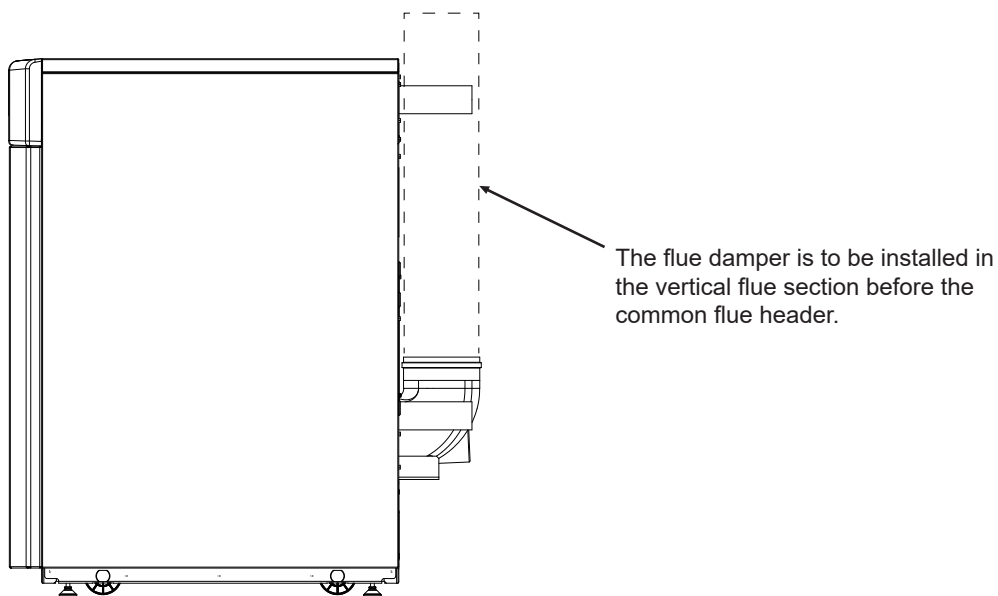


Fig. 1

1.3 INSTALLING THE MOTORISED FLUE DAMPER INTO THE FLUE

The motorised flue damper has a chamfer on the male end for inserting into a flue piece and a lip seal on the female end to receive another section of flue.



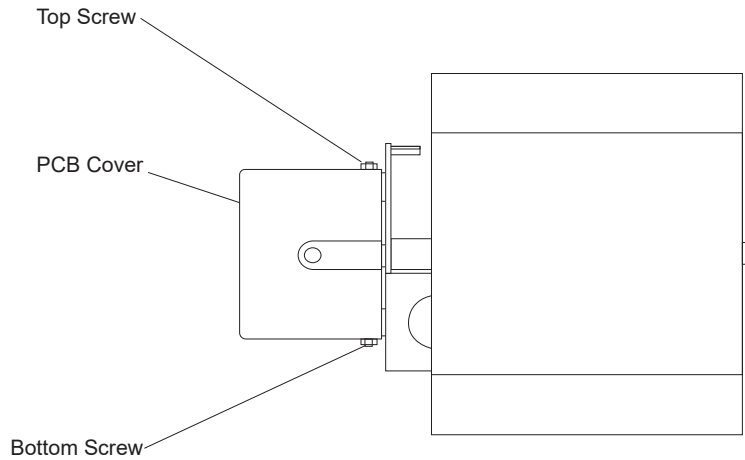
INSTRUCTIONS

1.4 ELECTRICAL CONNECTIONS OF THE MOTORISED FLUE DAMPER

Turn off the power to the boiler and then remove the front panel, as shown in the main installation manual.

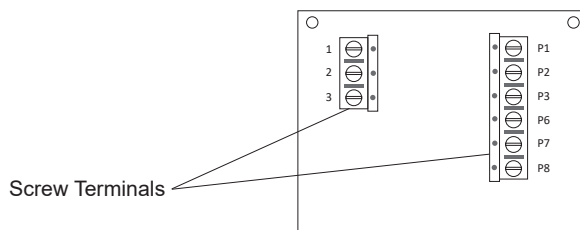
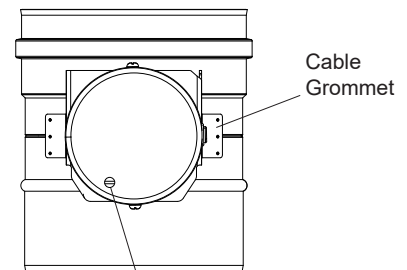
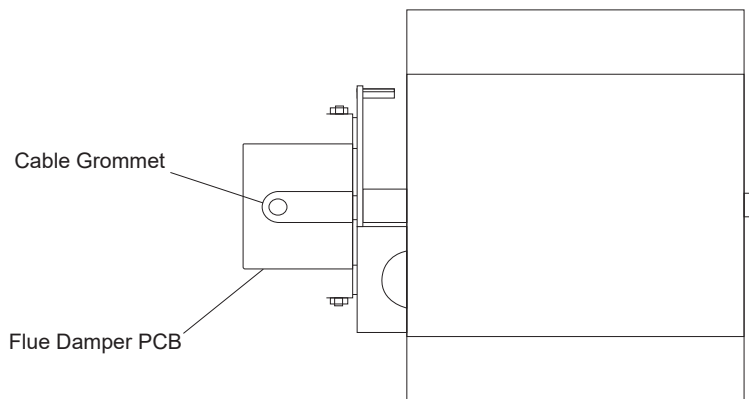
Using the figure below as a guide remove the PCB cover of the flue damper as follows:

1. Unscrew the Top Screw and place somewhere safe.
2. Unscrew the Bottom Screw and place somewhere safe.
3. Pull the PCB Cover away from the Flue Damper and place somewhere safe.



Using the figures below as a guide connect the wiring to the flue damper PCB as follows:

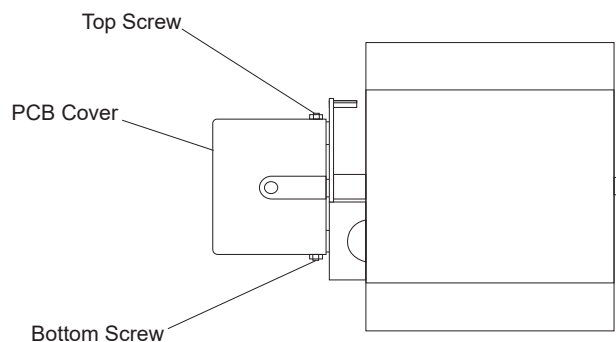
1. Thread the five wires through the cable grommet located on the Flue Damper Control box.
2. Connect the Live wire to Pin 1 of the screw terminal of the flue damper PCB.
3. Connect the Neutral wire to Pin 2 of the screw terminal of the flue damper PCB.
4. Connect the Earth wire to the earthing point of the Flue Damper.
5. Connect the Flue Damper Signal wire to Pin P1 of the screw terminal of the flue damper PCB.
6. Connect the Flue Damper Feedback wire to Pin P3 of the screw terminal of the flue damper PCB.



INSTRUCTIONS

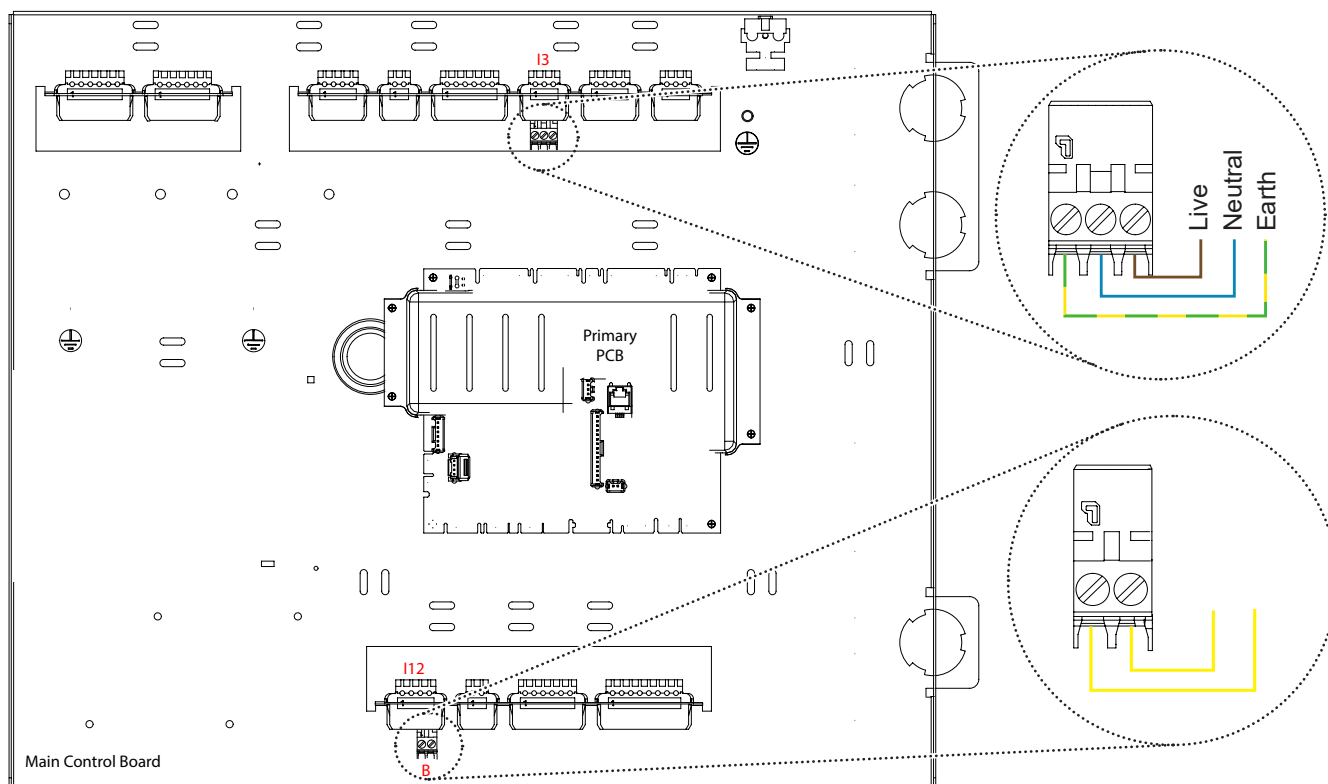
Using the figure below as a guide place the PCB cover back onto the flue damper control box as follows:

1. Slide the PCB cover back over the Flue Damper PCB.
2. Place the Top and Bottom Screws back into place and tighten to secure the PCB cover back in place.



Using the figures below as a guide connect the wiring from the flue damper to the Imax Xtra 2 as follows:

1. Remove connector I3_CN from Installation Connection I3.
2. Connect the Live wire to Pin 3 of connector I3_CN.
3. Connect the Neutral wire to Pin 2 of connector I3_CN.
4. Connect the Earth wire to Pin 1 of connector I3_CN.
5. Push connector I3_CN back into Installation Connection I3.
6. Remove connector I12_CN_B from Installation Connection I12.
7. Connect the Flue Damper Signal wire to Pin 1 of connector I12_CN_B.
8. Connect the Flue Damper Feedback wire to Pin 2 of connector I12_CN_B.
9. Push connector I12_CN_B back into Installation Connection I12.



INSTRUCTIONS

The schematic below shows the wiring for the Flue Damper.

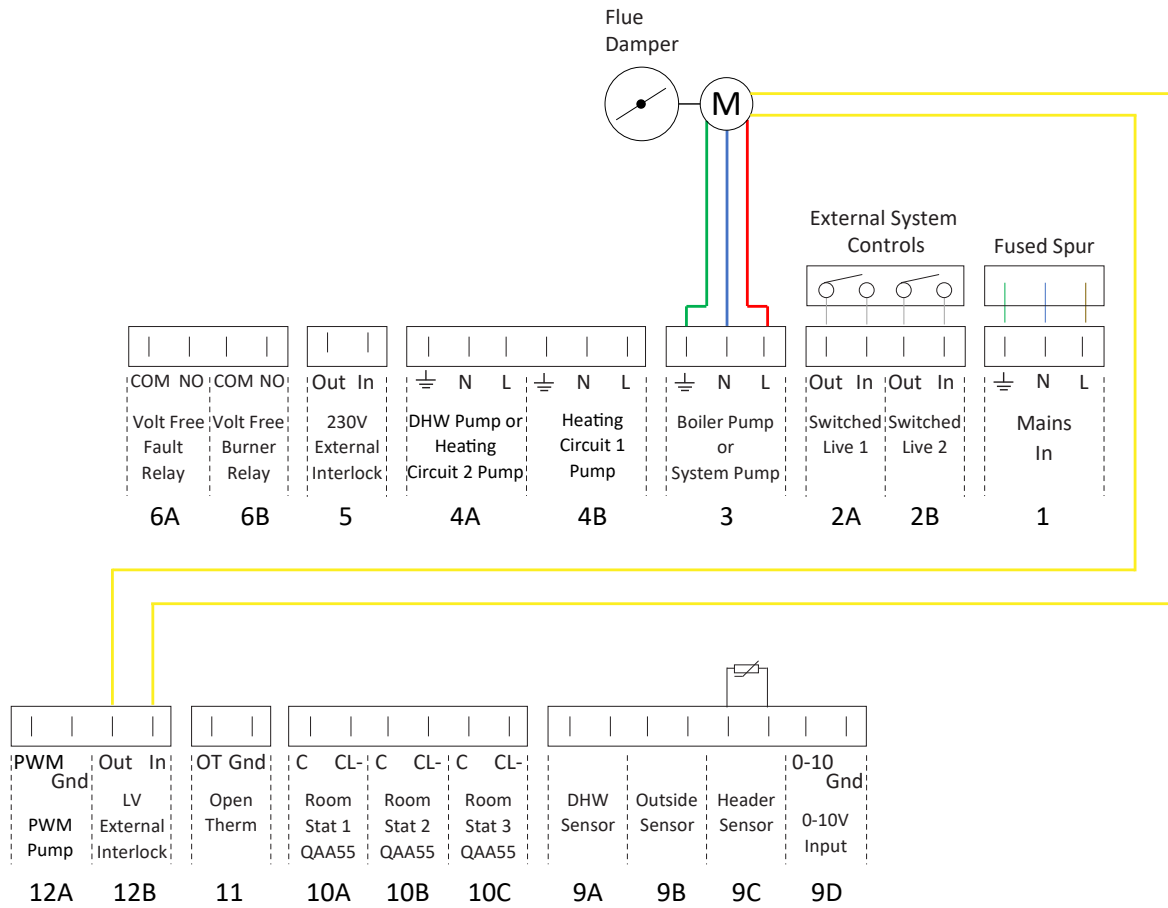


Fig. 2

Turn on the power to the boiler and recommission the boiler to configure the connected motorised flue damper.

Note: If you are adding a Motorised Flue Damper to an Imax Xtra 2 that already has a Boiler Pump controlled directly from the boiler you must observe the following:

- The On/Off Controlled Boiler Pump **MUST** be converted to Modulation Controlled Boiler Pump.
- If the Boiler pump has a PWM Modulation Input available you can use the schematic shown in Figure 3.
- If the Boiler pump only has a 0-10V Modulation Input available you need to order the 0-10V Pump Kit. The schematic showing the wiring is shown in the instructions which are provided with the kit.

Power from main supply
MUST be the same phase
as the boiler supply.

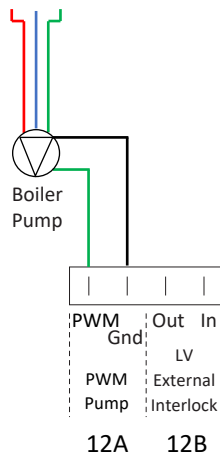


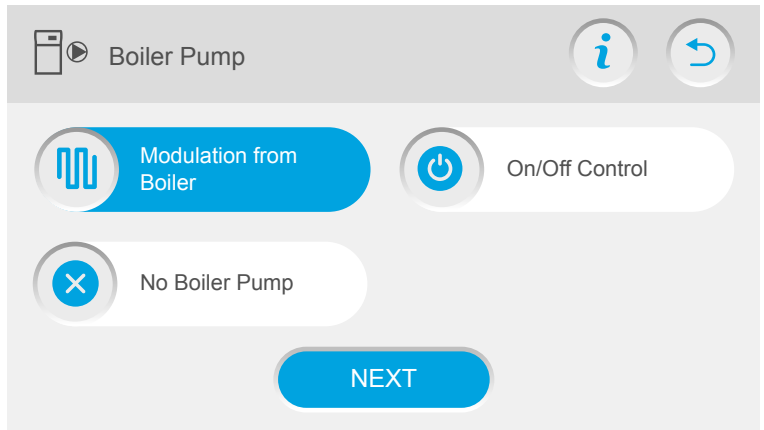
Fig. 3

INSTRUCTIONS

If you are installing an electrically operated flue damper onto a boiler that also requires boiler pump control then you cannot choose an on/off controlled boiler pump.

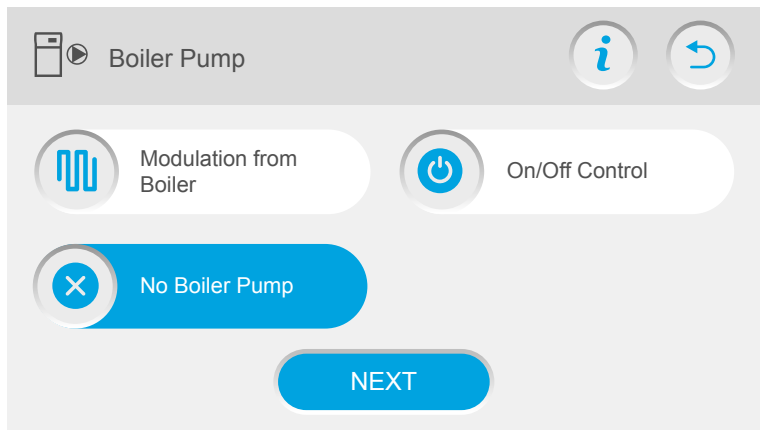
Instead, you MUST choose a modulation controlled boiler pump, where the modulation signal is provided by the boiler but the power supply is provided externally to the boiler, but MUST be on the same phase supply.

This is done at the Boiler Pump page shown by selecting the "Modulation from Boiler" option.



If you are installing an electrically operated flue damper onto a boiler that does not require boiler pump control then you can select No Boiler Pump.

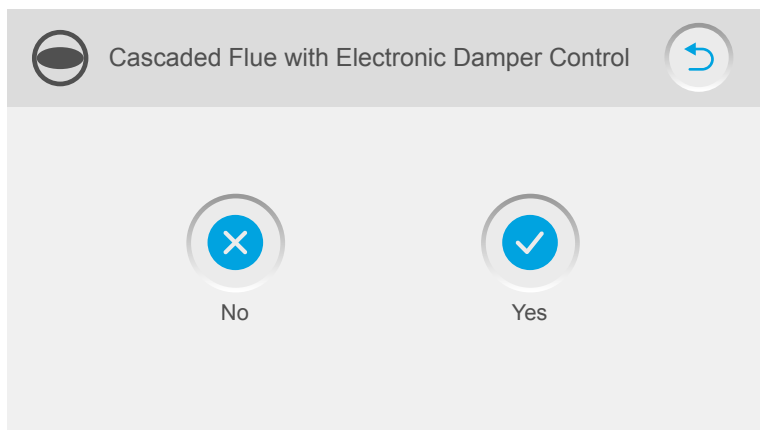
This is done at the Boiler Pump page shown by selecting the "No Boiler Pump" option.




For either of the selections above you can now configure the Flue Damper.

This is done at the Cascade Flue with Electronic Damper Control page shown by selecting the "Yes" option.

The user can now proceed with the configuration of the boiler following the remainder of the commissioning process.



INSTRUCTIONS



WEEE DIRECTIVE 2012/19/EU
Waste Electrical and Electronic Equipment Directive

- At the end of the product life, dispose of the packaging and product in a corresponding recycle centre.
- Do not dispose of the unit with the usual domestic refuse.
- Do not burn the product.
- Remove the batteries.
- Dispose of the batteries according to the local statutory requirements and not with the usual domestic refuse.



Manufactured under
 an ISO 9001
 registered quality
 management system



The code of practice for the installation, commissioning & servicing of central heating systems

At Ideal Heating we take our environmental impact seriously, therefore when installing any Ideal Heating product please make sure to dispose of any previous appliance in an environmentally conscious manner. Households can contact their local authority to find out how. See <https://www.gov.uk/managing-your-waste-an-overview> for guidance on how to efficiently recycle your business waste.

Technical Training

Our Expert Academy offer a range of training options designed and delivered by our experts in heating. For details please contact: expert-academy.co.uk

Ideal Heating Ltd., pursues a policy of continuing improvement in the design and performance of its products. The right is therefore reserved to vary specification without notice.

Ideal is a trademark of Ideal Heating.

Registered Office

Ideal Boilers Ltd., National Avenue, Hull, East Yorkshire, HU5 4JB

Tel 01482 492251 Fax 01482 448858

Registration No. London 322 137

EU Authorised Representative:

Atlantic SFDT

44 Boulevard des Etats-Unis, 85 000 La Roche-Sur-Yon, France

+33 (0)2 51 44 34 34

Ideal Technical Helpline: 01482 498663

Ideal Consumer Helpline: 01482 498660

Ideal Parts: 01482 498665

idealheating.com

