



INSTALLATION AND SERVICING

EVOJET

1750-3000kW

When replacing any part on this appliance, use only spare parts that you can be assured conform to the safety and performance specification that we require. Do not use reconditioned or copy parts that have not been clearly authorised by Ideal.

For the very latest copy of literature for specification and maintenance practices visit our website idealheating.com where you can download the relevant information in PDF format.



CONFORMITY

IDEAL EVOJET boilers conform to the Efficiency Directive 92/42/EEC (★★★★) to Regulation (EU) 2016/426 and applicable sections of the Electromagnetic Compatibility Directive 2014/30/EU and Low Voltage Directive 2014/35/EU.



RANGE

The IDEAL EVOJET is a range of Natural Gas, LPG and Oil commercial condensing pressure-jet boilers conforming to the efficiency directive 92/42/EEC.

MODEL		EVOJET 1750	EVOJET 2100	EVOJET 2600	EVOJET 3000
Output Non - Condensing (Nominal power max 80-60°C)	kW	1,718.5	2,062.2	2,553.2	2,946.0
Output Condensing (valid only for gas) (Nominal power max 50-30°C)	kW	1,863.8	2,236.5	2,769.0	3,195.0

Each boiler is designed to operate with a proprietary pressure jet or premixed burner. Ideals preferred partner is Riello and an additional 1 year parts warranty is provided with an approved Riello burner. Selection of the burner will be made at the time of purchase, the burner type and control will enable 2 stage, fully modulating and Low NOx operation and will enable compliance with the Enhanced Capital Allowance scheme of the Energy Technology Criteria List.

ACCESSORIES

For a complete list of accessories and details of their compatibility, refer to the Catalogue.




At the end of its life, the product should be not be disposed of as solid urban waste, but rather it should be handed over to a differentiated waste collection centre.

CONTENTS

1 GENERAL	4
1.1 Safety	4
1.2 Safe Handling of substances	4
1.3 Gas supply	4
1.3.1 Gas Boosters	4
1.4 Flue installation	4
2 GENERAL INFORMATION	5
2.1 General Safety Information	5
2.2 Precautions	5
2.3 Description of the appliance	6
2.4 Control panels	6
2.5 Identification	6
2.6 System layout	7
2.8 Technical specifications – Gas	9
2.9 Technical specifications – Oil	10
3 SYSTEM MANAGER	11
3.1 Putting into service	11
3.2 Preparing for extended periods of disuse	12
3.3 Cleaning	12
3.4 Maintenance	12
3.5 Useful information	13
4 INSTALLER	14
4.1 Unpacking the product	14
4.2 Overall dimensions and weights	15
4.3 Handling	16
4.4 Installation premises	17
4.5 Positioning of sensor sockets	18
4.5.1 Water-side pressure drop	19
4.6 Water in central heating systems	20
4.6.1 Glycol	21
4.7 Water connections	22
4.8 Schematic diagram	23
4.9 Condensate evacuation	28
4.10 Discharge of combustion products	29
4.11 Door hinges	30
4.12 Changing the direction of door opening	30
4.13 Earth connection	32
4.14 Fitting the casing panels	33
5 TECHNICAL ASSISTANCE SERVICE	36
5.1 Preparing for initial startup	36
5.2 Initial startup	36
5.3 Checks during and after initial start-up	37
5.4 Maintenance	38
5.5 Adjusting the door	38
5.6 Cleaning the boiler	43
5.7 External cleaning	44
5.8 Boiler inspection – water-side	44
5.9 Troubleshooting	45

The following symbols are used in this manual:

 **CAUTION!** = Identifies actions that require caution and adequate preparation.

 **STOP!** = Identifies actions that you MUST NOT do.

1 GENERAL

1.1 Safety

Current Gas Safety (Installation and Use) Regulations or rules in force.

It is law that all gas appliances are installed and serviced by a Gas Safe Registered Engineer in accordance with the regulations below. Failure to install appliances correctly could lead to prosecution. It is in your own interest, and that of safety, to ensure the law is complied with.

The following must be conformed with:

- Current Building Regulations and Clean Air Act
- Water Authority Regulations
- Local Authority Regulations and Regional Bylaws
- Gas Safety Regulations
- Any special regional requirements of local Electricity and Gas undertaking.
- Fire Service and Insurance Company requirements.

In the interests of safety, a competent installer should be employed to effect the installation of the appliance. Manufacturer's notes must NOT, in any way, be taken as overriding statutory obligations.

The installation of the boiler MUST also be in accordance with the latest I.E.E. (BS7671) Wiring Regulations, local buildings regulations, bye-laws of the local water authority, the building regulations and the Building Standards (Scotland) and any relevant requirements of the local authority.

Detailed recommendations are contained in the following Codes of Practice:

BS 799 Pt4 & 7	Oil burning equipment.
BS 799 Pt5	Oil storage tanks.
BS 5410 Pt2	Installation for space heating, hot water and steam supply.
BS 5854	Flues and flue structures in buildings.
BS 5885 Pt1	Gas burners - with inputs 60kW and above.
BS 6644	Installation of gas fired hot water boilers of rated input between 70kW and 1.8MW net (2nd and 3rd family gases).
BS 6880	Low temperature hot water heating systems of output greater than 45kW.
Part 1	Fundamental and design considerations.
Part 2	Selection of equipment.
Part 3	Installation, commissioning and maintenance.
BS 6891	Installation of low pressure gas pipework of up to 28mm (R1) in domestic premises (2nd family gas).
EN 303.1	Heating boilers with forced draught burners. General requirements.
EN 303.2	Heating boilers with forced draught burners with atomizing oil burners.
EN 304	Test code for heating boilers for atomizing oil burners.
2006/95 EEC	Low voltage directive. (Relevant standard is EN60335.1).
2004/108 EEC	Electromagnetic Compatibility Directive. (Relevant standards are EN50081.1, EN50082.1 and EN55014).
92/42 EEC	Boiler Efficiency Directive
2009/142 EEC	Gas Devices Directive. (Relevant standards are EN303.1, EN303.2 and EN304).

IGE/UP/1

Soundness testing and purging of industrial and commercial gas installation.

IGE/UP/2

Gas installation pipework, boosters and compressors on industrial and commercial premises.

IGE/UP/10

Installation of gas appliances in industrial and commercial premises.

BG01

Guidance on Safe Operation of Boilers

BG02

Guidance on Safe Operation of Hot Water Boilers

1.2 Safe Handling of substances

Care should be taken when handling the boiler insulation panels, which can cause irritation to the skin. No asbestos, mercury or CFCs are included in any part of the boiler or its manufacture.

1.3 Gas supply

The local gas supplier should be consulted, at the installation planning stage, in order to establish the availability of an adequate supply of gas. An existing service pipe must NOT be used without prior consultation with the local gas supplier.

A gas meter can only be connected by the local gas supplier or by a Gas Safe Registered Engineer.

An existing meter should be checked, preferably by the gas supplier, to ensure that the meter is adequate to deal with the rate of gas supply required. A minimum working gas pressure of 20.0mbar MUST be available at the boiler inlet for Natural gas and 37mbar for Propane.

Do not use pipes of smaller size than the burner inlet gas connection.

The complete installation MUST be tested for gas soundness and purged in accordance with the appropriate standards listed above.

1.3.1 Gas Boosters

A gas booster is required if the gas pressure available at the burner is lower than that required by the burner manufacturer to attain the flow rate for maximum burner input rating.

Location of the booster requires careful consideration but should preferably be closer to the burner rather than the gas meter. Ventilation should also be considered to ensure ambient temperatures do not exceed designed recommendations. Further guidance is provided in IGE/UP/2 as listed above.

1.4 Flue installation











It is the responsibility of the installer to ensure that products of combustion discharging from the terminal cannot re-enter the building or any other adjacent building.

Fan dilution systems may be incorporated into the flue system. However, ventilation must take into account the additional air requirement of the boiler house and interlocking must be provided to ensure adequate air flow is attained before burner operation proceeds.

The flue must be installed in accordance with the appropriate standards listed.













2 GENERAL INFORMATION

2.1 General Safety Information

-  The boiler is delivered in separate crates. Check that it is complete, undamaged and as ordered as soon as you receive it. Report any discrepancies or damage to the dealer who sold it.
-  This product must be installed by a legally qualified heating engineer. On completion of the installation, the installer must issue the owner with a declaration of conformity confirming that the installation has been completed to the highest standards in compliance with the instructions provided by **IDEAL** in this instruction manual, and that it conforms to all applicable laws and standards.
-  This product must only be used for the purpose for which it is designed and made, as specified by **IDEAL HEATING**. **IDEAL HEATING** declines all responsibility, contractual or other, for damage to property or injury to persons or animals caused by improper installation, adjustment, maintenance or use.
-  If you notice any water leaking from the boiler, disconnect it immediately from the mains electricity supply, shut off the water supply, and notify your local **IDEAL's** Technical Assistance Service or a qualified heating engineer immediately.
-  Periodically check that operating pressure in the water circuit is over 1 bar but below the maximum limit specified for the boiler. If this is not the case, contact Technical Assistance Service **IDEAL HEATING** or a professionally qualified heating engineer.
-  If the boiler is not going to be used for an extended period of time, contact **IDEAL's** Technical Assistance Service or a qualified heating engineer to have it prepared for shut-down as follows
 - Switch the boiler OFF at the control panel
 - Turn the main system switch "off"
 - Close the fuel cock and heating circuit water cock
 - Drain the central heating circuit if there is any risk of freezing.
-  The boiler must be serviced at least once a year.
-  This instruction manual is an integral part of the boiler. It must be kept safe and **MUST** always accompany the boiler, even if it is sold to another owner or transferred to another user or to another installation. If you damage or lose this manual, order a replacement immediately from your local **IDEAL's** Technical Assistance Service.

2.2 Precautions

The operation of any appliance that uses fuel, electrical power and water demands that a number of fundamental safety precautions be respected:

-  It is forbidden to use electrical devices or equipment, such as switches, appliances, etc. if there is a smell of gas or unburnt products. If so:
 - Ventilate the room, opening doors and windows
 - Close the fuel shut-off cock
 - Report the fault immediately to the **IDEAL's** Technical Assistance Service or a professionally qualified heating engineer.
-  Do not touch the boiler if wet.
-  Never clean or service the boiler without first disconnecting it from the mains electricity supply by turning the main power switch and the control panel switch OFF.
-  Do not tamper with or adjust the safety or control devices without prior authorisation and instructions from the manufacturer.
-  Do not plug or block the condensate drain outlet.
-  Never pull, disconnect, or twist the electrical cables coming from the appliance even if it is disconnected from the mains electricity supply.
-  Do not obstruct or restrict the vents in the room where the boiler is installed. Adequate ventilation is essential for correct combustion.
-  Do not expose the boiler to the elements. It is designed to work indoors.
-  Do not switch the boiler off if outdoor temperature drops below ZERO (risk of freezing).
-  Do not store containers of flammable substances in the room where the boiler is installed.
-  Do not allow children or persons with reduced physical, sensorial or mental abilities or with insufficient experience and knowledge to operate this system without proper supervision from the person responsible for its safe use.
-  Do not dispose of packaging material into the environment, or leave it within the reach of children, since it can become a potential hazard. Dispose of packaging material in compliance with applicable legislation.

2.3 Description of the appliance

EVOJET IDEAL steel boilers are triple flue pass, condensing boilers for installation in a boiler room on a sealed system. While they are designed primarily for sealed central heating purposes, in conjunction with a suitable indirect storage cylinder they can also be used to produce domestic hot water.

The parts of the boiler that are in contact with combustion products are made of Titanium stabilized stainless steel, capable of providing the best possible resistance to corrosion caused by acid condensate.

The boiler has been designed with the combustion chamber at the top and the smooth pipe tube bundle at the bottom to optimise heat exchange and energy efficiency and to maximise the condensing effect.

The boiler has a high total water content which is differentially distributed between its top and bottom sections. This allows outgoing water to reach the set temperature quickly while maintaining the condensing effect and the water heating time around the tube bundle for as long as possible.

EVOJET boilers feature lightly pressurised combustion chambers for a smoother burner action, and high temperature resistant, stainless steel turbulators inside the tube bundle for maximum burner efficiency.

The boiler body is thoroughly insulated with a layer of high density glass wool.

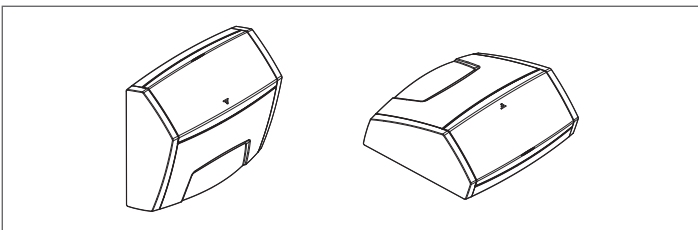
The paint finished external panelling is also internally insulated with a layer of high density glass wool.

The boiler's front door and the flue gas chamber can be opened completely to facilitate the inspection, maintenance and cleaning of internal parts and to speed up servicing in general.

The front door can open in either direction and can be opened without removing the burner. The door is factory fitted with hinges on the left, but these can be reversed if necessary to suit individual installations.

2.4 Control panels

The steel boilers **IDEAL EVOJET** can be combined with the control panels of the **PRIMEtech** range which take into account the different operating functions, the needs of the heating system and the various devices used on them.



Note: for additional information, see the control panel installation instruction.

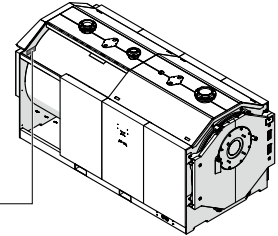
2.5 Identification

The products are identified by:

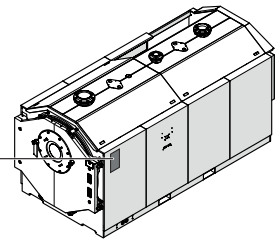
Serial number plate

This is located on the boiler body and specifies the serial number, model, and furnace power.

ideal Ideal Boilers Ltd, PO Box 183, National Avenue, Kingston upon Hull, HU2 4JH		CE	UK
Serial no.	Max. operating pressure	PSIB	bar
Model	Max. heat input	Ch (H)	kW
Fuel	Year of manufacture	Trisax (C)	



ideal Ideal Boilers Ltd, PO Box 183, National Avenue, Kingston upon Hull, HU2 4JH		UK	CE
CONDENSING BOILER			
Model	Serial number		
Code	PIN number		
Year of manufacture	Category		
Max. heat input	Q _{max} (H)	Min. heat input	Q _{min} (H)
Max. useful heat output	GAS (H)	Min. useful heat output	GAS (H)
Max. useful heat output	Oil (H)	Min. useful heat output	Oil (H)
Max. useful heat output	Oil (H)	Useful heat output	Oil (H)
Furnace pressure	bar	Useful heat output	Oil (H)
Max. operating pressure	PSIB	Water capacity	l
Max. permitted T ⁺	°C	OBIGATORY GROUND CONNECTION	
Fuel			
Equipment category			
Device type			
Country of destination			



Data plate

This lists the technical specifications and performance of the product. It comes inside the documentation envelope. On completion of the installation you **MUST** apply it in a clearly visible position at the top of one of the side panels. If you damage or lose this label, order a replacement immediately from **IDEAL**'s Technical Assistance Service.

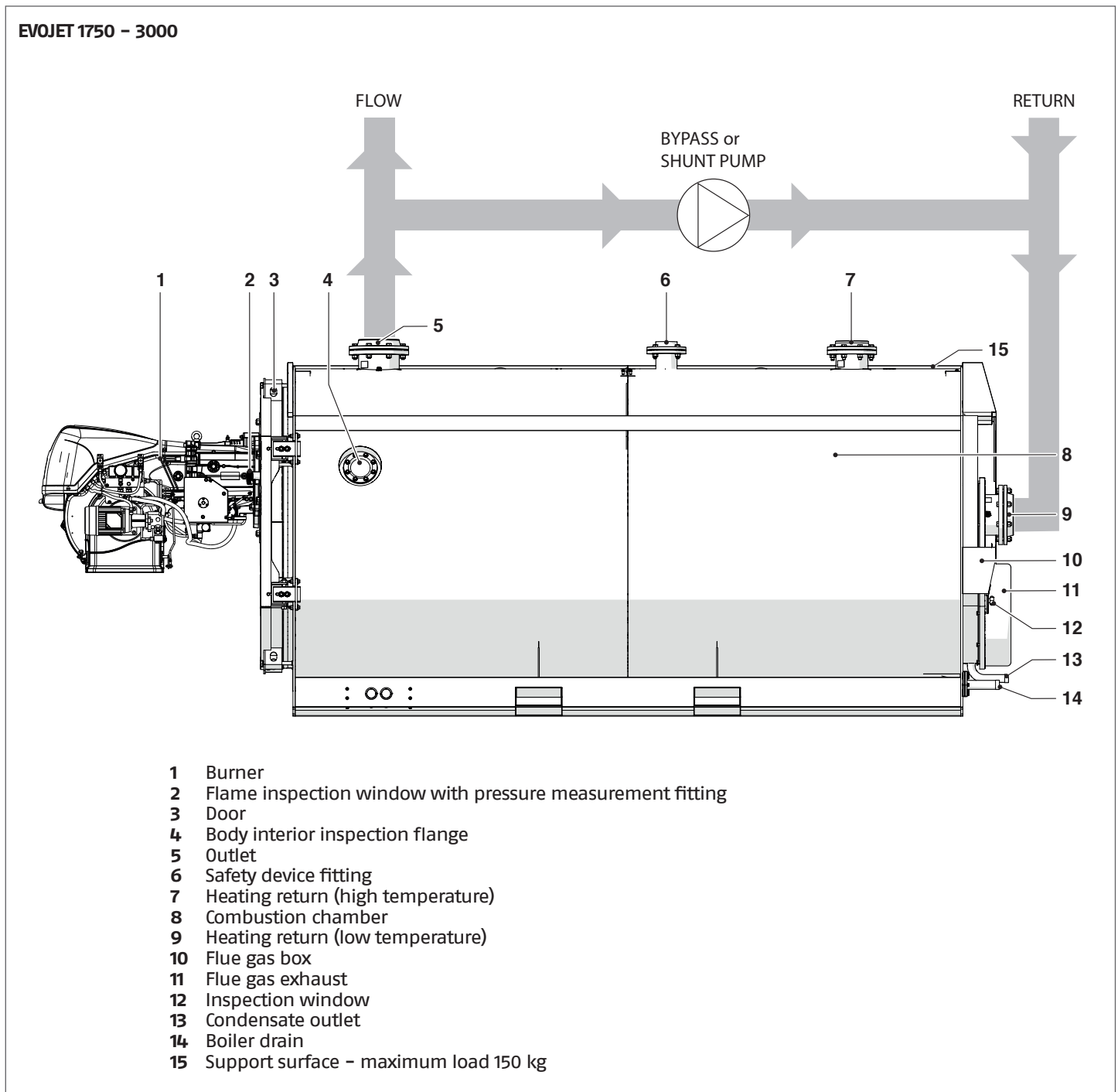
! If these plates or any other means of clearly identifying the product are defaced, removed or lost, proper installation and servicing may be rendered difficult.

2.6 System layout

For operation of the boiler with oil the following **MUST** be observed.

- The boiler should be applied on a system that is designed for low temperature hot water (70°C-80°C Flow, >60°C Return) operation.
- The return water **MUST** be connected to inlet 8, NOT inlet 7. Inlet 7 should be blanked off.
- The temperature at sensor position 9 must not be less than 60°C.
- The temperature can be maintained above 60°C by using a bypass or shunt pump (to be supplied by installer) to mix some of the hot flow water with the return water.

Hydraulic System to Maintain Minimum Water Temperature at Return Entry to Boiler



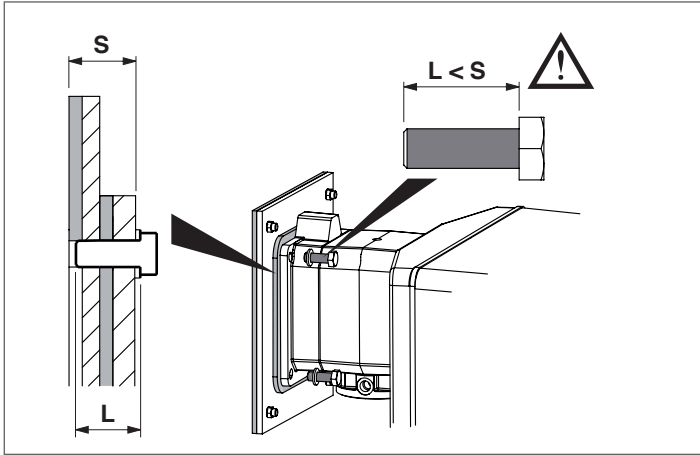
2.7 Burner installation

IMPORTANT NOTES FOR BURNER INSTALLATION

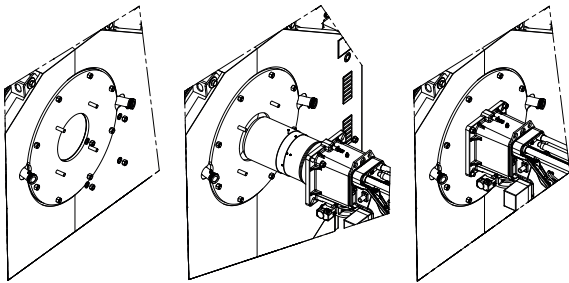
Before fixing the burner to the boiler, make sure that:

- The door opens the right way (see the relevant sections for details on how to reverse the door)
- The length (L) of the burner fixing bolts is less than (S), i.e. the total depth of the seal, plates and washer. **Longer bolts can cause the door to warp, compromising its ability to seal the boiler hermetically and permitting the release of combustion fumes.**

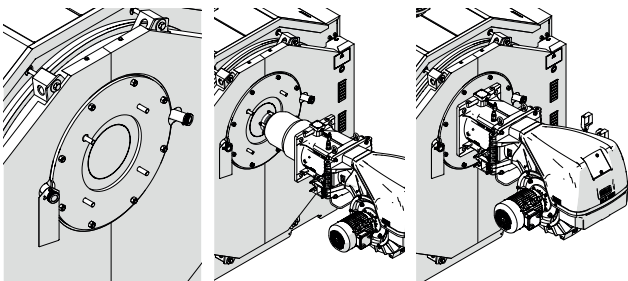
To ensure correct burner installation, also refer to the burner's own manual.



RS gas - RLS gas/Light oil burner



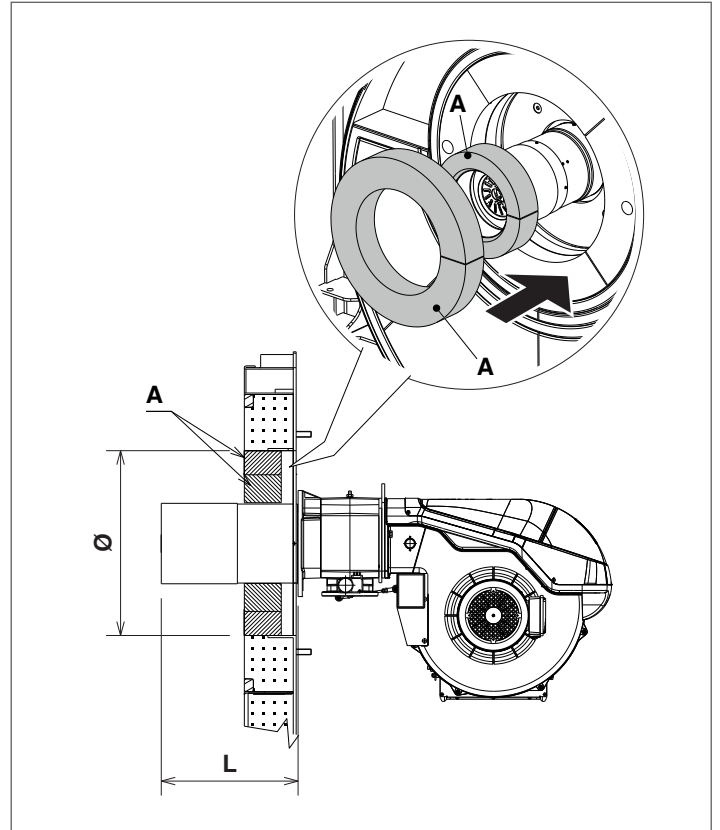
RX premix burner



If you are installing a new boiler but re-using an old burner, always perform the following checks:

- Make sure that the performance of the old burner is adequate for the requirements of the boiler
- Make sure that the length and diameter of the burner nozzle are as specified in the following table.

⚠ When you finish installing the burner in the boiler, fill the gap between the burner's blast tube and the refractory material in the door with the ceramic insulation (A) supplied with the boiler.



	EVOJET			
	1750	2100	2600	3000
Burner head L min. (mm)	350	350	350	500
Hole in door Ø (mm)	520	520	520	520

⊖ Do not re-use old burners if their blast tube lengths are below those specified in the table.


2.8 Technical specifications - Gas

DESCRIPTION	EVOJET				
	1750	2100	2600	3000	
Device type	Condensing boiler for central heating B23 – B23P (*)				
Fuel	All GASES				
Device category	See Burner				
Rated heat input (Q max) GCV (NCV)	1,943.0 (1,750)	2,331.0 (2,100)	2,886.0 (2,600)	3,330.0 (3,000)	kW max
Rated heat input (Q min) GCV (NCV)	1,611.5 (1,451)	1,943.6 (1,751)	2,332.1 (2,101)	2,887.1 (2,601)	kW min
Max Output Power (80/60°C)	1,718.5	2,062.2	2,553.2	2,946.0	kW max
Output Non – Condensing (Nominal power max 80-60°C)	1,718.5	2,062.2	2,553.2	2,946.0	kW
Minimum nominal useful output (80/60°C) (Pn min)	1,424.0	1,721.2	2,065.3	2,556.8	kW min
Output Condensing (valid only for gas) (Nominal power max 50-30°C)	1,863.8	2,236.5	2,769.0	3,195.0	kW
Max Output Power (50/30°C)	1,863.8	2,236.5	2,769.0	3,195.0	kW max
30% heat output with return at 30°C (P1)	570.7	684.8	847.9	978.3	kW max
Efficiency at rated heat input and in High temperature mode n4 (80/60°C) GCV NCV	88.5 (98.2)	88.5 (98.2)	88.5 (98.2)	88.5 (98.2)	%
Useful efficiency at Pn min (80/60°C) HCV (LCV)	88.6 (98.3)	88.6 (98.3)	88.6 (98.3)	88.6 (98.3)	%
Useful efficiency at Pn Max (40/30°C) GCV (NCV)	96.9 (107.5)	96.9 (107.5)	96.9 (107.5)	96.9 (107.5)	%
Efficiency at 30% rated heat input and in Low temperature mode n1 with return 30°C GCV (NCV)	97.9 (108.7)	97.9 (108.7)	97.9 (108.7)	97.9 (108.7)	%
Losses from stack for sensible heat (Qmax)	1.5				%
Losses from casing with burner on	0.3				%
Constant pressure drop (P.max)	< 0.2				%
Flue gas temperature	< 45-75 (**)				°C
Mass flue gas flow rate (Qmax) (***)	0.75	0.93	1.14	1.32	kg/sec
Furnace pressure	8.4	9.6	11.5	11.6	mbar
Furnace volume	1,593.0	1,810.0	2,270.0	2,632.5	dm3
Tot. volume of flue gas side	2,525.0	3,040.0	3,830.0	4,440.0	dm3
Total surface area for heat exchange	77.7	93.2	115.7	136.0	m2
Volumetric thermal load (Q.max)	1,098.6	1,160.2	1,145.4	1,139.6	kW/m3
Specific heat load	22.5	22.5	22.5	22.1	kW/m2
Max. condensate production Full load 30/50 °C	173.0	203.0	256.0	301.0	l/h
Max. operating pressure	6				bar
Maximum permitted temperature	100				°C
Maximum operating temperature	90				°C
Pressure drop ΔT 10°C	40	78	56	75	mbar
Pressure drop ΔT 20°C	16	31	21	20	mbar
Water capacity	3,060	3,330	4,700	5,560	liters
Turbulators n.	158	175	194	224	No.

(*) The B23P configuration may only be adopted with premix gas burners.

(**) Depends on return temperature (30-60°C)

(***) At Pn max and Tm = 80°C, Tr = 60°C e CO2 = 10.3%

 The stack must guarantee the minimum draught specified by applicable technical standards, assuming zero pressure at the connection to the flue.

2.9 Technical specifications - Oil

DESCRIPTION	EVOJET				
	1750	2100	2600	3000	
Device type	Condensing boiler for central heating B23 - B23P (*)				
Fuel	low sulfur oil (<15 ppm)				
Device category	See Burner				
Rated heat input (Q max) GCV (NCV)	1,943 (1,750)	2,331 (2,100)	2,886 (2,600)	3,330 (3,000)	kW max
Rated heat input (Q min) GCV (NCV)	1,611.5 (1,451)	1,943.6 (1,751)	2,332.1 (2,101)	2,887.1 (2,601)	kW min
Useful (rated) heat output	1,718.5	2,062.0	2,553.0	2,946.0	kW max
Maximum nominal useful output (80/60°C)	1,718.5	2,062.2	2,553.2	2,946.0	kW max
Minimum nominal useful output (80/60°C) (Pn min)	1,424.8	1,721.2	2,065.3	2,556.8	kW min
Efficiency at rated heat input and in High temperature mode n4 (80/60°C) GCV NCV	92.6 (98.2)	92.6 (98.2)	92.6 (98.2)	92.6 (98.2)	%
Useful efficiency at Pn min (80/60°C) HCV (LCV)	92.7 (98.3)	92.7 (98.3)	92.7 (98.3)	92.7 (98.3)	%
Losses from stack for sensible heat (Qmax)	1.5				%
Losses from casing with burner on	0.3				%
Constant pressure drop (P.max)	< 0.2				%
Flue gas temperature	< 75				°C
Mass flue gas flow rate (Qmax) (**)	0.75	0.93	1.14	1.32	kg/sec
Furnace pressure	8.4	9.6	11.5	11.6	mbar
Furnace volume	1,593.0	1,810.0	2,270.0	2,632.5	dm3
Tot. volume of flue gas side	2,525.0	3,040.0	3,830.0	4,440.0	dm3
Total surface area for heat exchange	77.7	93.2	115.7	136	m2
Volumetric thermal load (Q.max)	1,098.6	1,160.2	1,145.4	1,139.6	kW/m3
Specific heat load	22.5	22.5	22.5	22.1	kW/m2
Max. operating pressure	6				bar
Maximum permitted temperature	100				°C
Maximum operating temperature	90				°C
Pressure drop $\Delta T 10^\circ C$	40	78	56	70	mbar
Pressure drop $\Delta T 20^\circ C$	16	31	21	18	mbar
Water capacity	3,060	3,330	4,700	5,560	liters
Turbulators n.	158	175	194	224	No.

(*) The B23P configuration may only be adopted with premix gas burners.

(**) At Pn max and Tm = 80°C, Tr = 60°C e CO2 = 12.5%

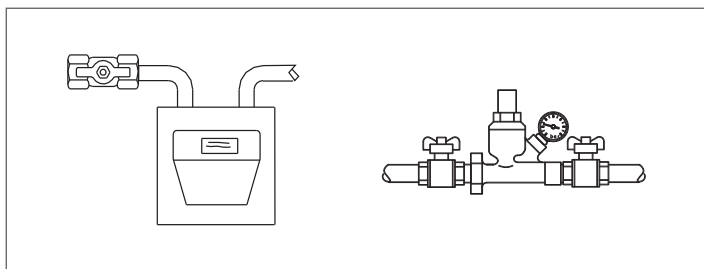
3 SYSTEM MANAGER

3.1 Putting into service

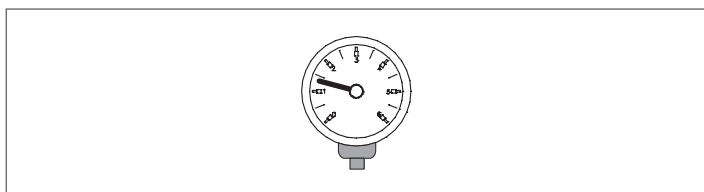
First commissioning must be undertaken by a combustion specialist appointed by the burner supplier. Installation, commissioning and maintenance should be in compliance with BS6644. Once this has been done, the boiler can be left to function automatically.

Under certain circumstances, such as after long periods of disuse, the service engineer responsible for the boiler may need to re-start it without involving the Technical Assistance Service. To do so, perform the following checks and operations:

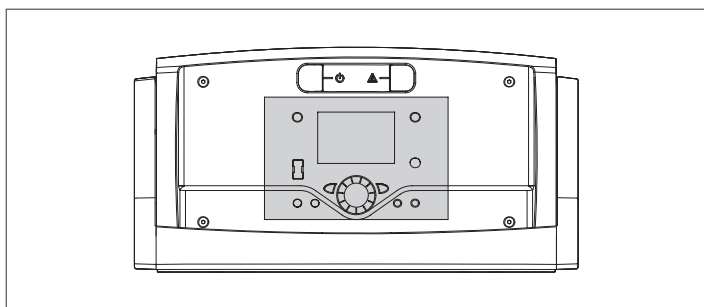
- Check that the gas cock and heating water cock are open



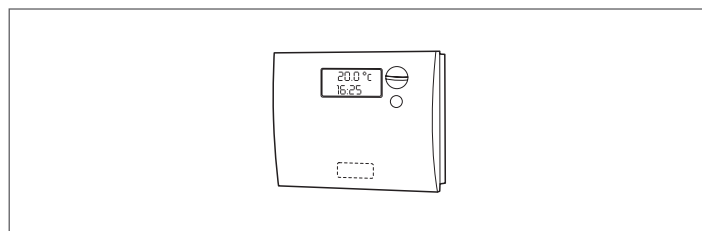
- While the system is still cold, check that working pressure in the central heating circuit is over 1 bar but below the maximum limit specified for the boiler



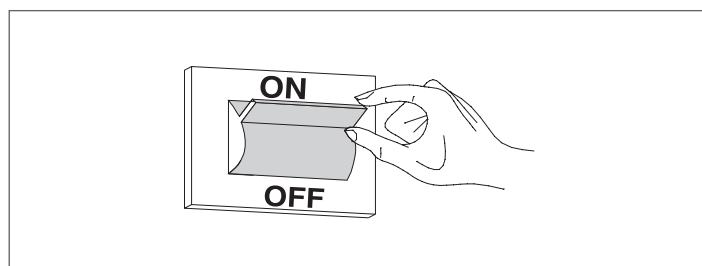
- Since the control panel incorporates a temperature control function, make sure that the control panel is switched on



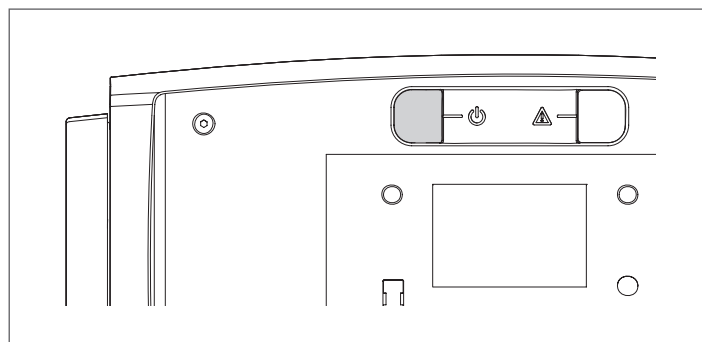
- Adjust the timer thermostat (if installed) or the temperature control to the desired temperature (~20° C)



- Turn the boiler's mains power switch ON



- Turn the control panel power switch ON and make sure that the green power indicator lights
- Make the settings as instructed in the instruction manual for your control panel.



The burner should now ignite and remain in operation until the set temperature is reached. The burner will then switch off and on automatically to maintain the set temperature without further operator action.

If any ignition faults or malfunctions occur, the burner performs a "LOCKOUT SHUTDOWN". This is shown by the red button light on the burner and by the warning light on the control panel.

⚠ If a "LOCKOUT SHUTDOWN" occurs, wait about 30 seconds before resetting the burner.

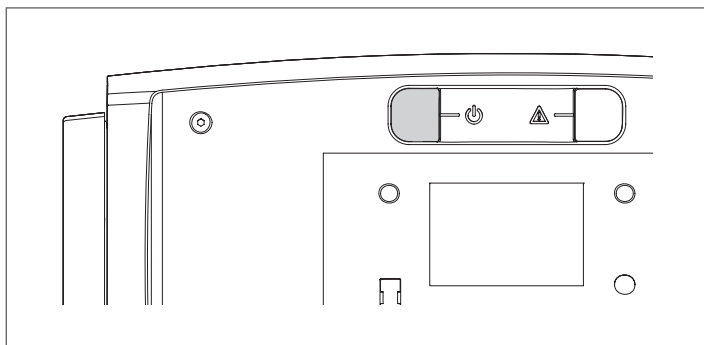
To reset the burner, press the red button light on the burner and wait until the flame ignites.

Repeat this operation 2-3 times at the most. If the problem persists after that, call IDEAL's Technical Assistance Service.

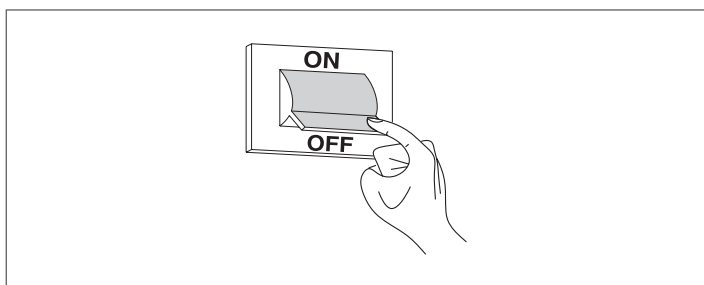
3.2 Preparing for extended periods of disuse

If the boiler is not going to be used for an extended period of time, perform the following operations:

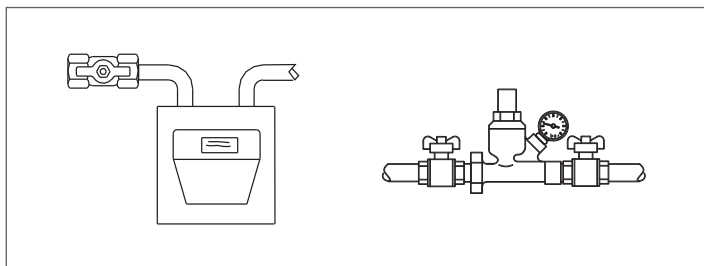
- Turn the control panel power switch OFF and make sure that the green power indicator goes out



- Turn the main system switch "off"



- Close the fuel cock and heating circuit water cock



- Drain the central heating circuit if there is any risk of freezing.

! Contact your local **IDEAL HEATING** Technical Assistance Service if you encounter any problems in completing the above procedure.

3.3 Cleaning

Use a cloth damped in soapy water to clean the boiler's external casing.

To remove stubborn marks, use a cloth damped in a 50% mix of water and denatured alcohol or a suitable cleaning product. Carefully dry after cleaning.

- !** Do not use abrasive cleaning pads or powder detergents.
- !** Never clean the boiler without first disconnecting it from the mains electricity supply by turning the mains power switch and the control panel switch OFF.
- !** The combustion chamber and flue pipes must be cleaned periodically by the manufacturer's Technical Assistance Service or by a qualified heating engineer.

3.4 Maintenance

Please remember that THE PERSON RESPONSIBLE FOR SYSTEM MANAGEMENT MUST ENSURE THAT PROFESSIONALLY QUALIFIED HEATING ENGINEERS UNDERTAKE PERIODIC MAINTENANCE AND COMBUSTION EFFICIENCY MEASUREMENTS.

IDEAL's Technical Assistance Service is qualified to satisfy these legal requirements and can also provide useful information on MAINTENANCE PROGRAMMES designed to guarantee:

- Greater safety
- Compliance with applicable legislation
- Freedom from the risk of fines in the event of spot checks.

Regular maintenance is essential for the safety, efficiency and durability of the boiler.

Servicing is a legal requirement and must be performed at least once a year by a professionally qualified heating engineer.

3.5 Useful information

Seller:.....
 Mr.:
 Address:
 Tel.:.....

Installer:.....
 Mr.:
 Address:
 Tel.:.....

Technical Assistance Service:
 Mr.:
 Address:
 Tel.:.....

Date	Work done
.....
.....
.....
.....
.....
.....
.....
.....
.....
.....
.....
.....
.....
.....
.....
.....
.....
.....
.....

Fuel oil supplier:
 Mr.:
 Address:
 Tel.:.....

Date	Quantity supplied	Date	Quantity supplied	Date	Quantity supplied	Date	Quantity supplied
.....
.....
.....
.....
.....
.....
.....
.....
.....
.....
.....
.....
.....
.....
.....
.....
.....
.....
.....
.....

4 INSTALLER

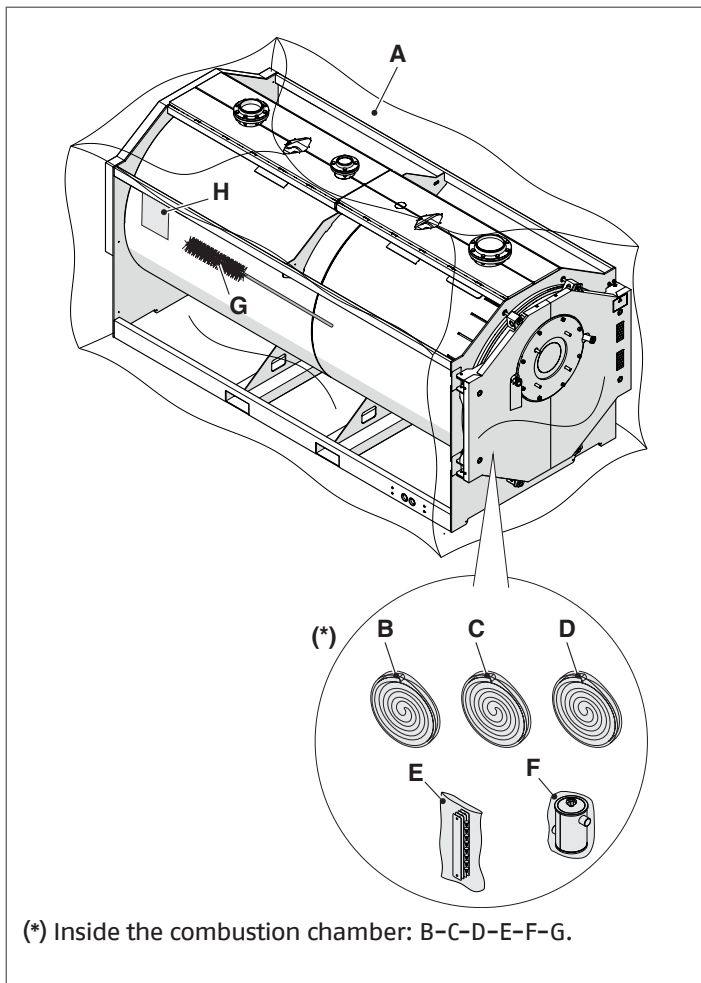
4.1 Unpacking the product

The **EVOJET** boiler is supplied in two separate packages.

The first contains:

- Boiler body inside a protective cover (A);
- Burner blast tube protection jacket kit (2500x50 mm) (B) (*)
- Burner blast tube protection jacket kit (2500x80 mm) (C) (*)
- Special glass fibre braid gasket (35x25 mm) (D) (*)
- Blanking plates kit (E) (*)
- Condensate drain syphon (F) (*)
- Exchange pipes cleaning group (brush) (G)
- Document envelope (H) containing:
 - Instruction manual
 - Technical data plate adhesive (to be applied to the panelling when installing the boiler)
 - Hydraulic test certificate
 - Conventional warranty conditions

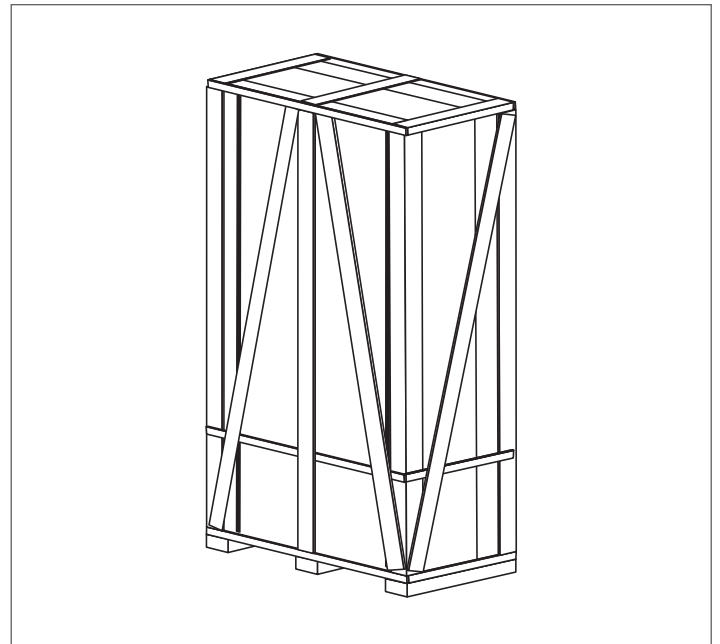
! The instruction manuals are an integral part of the boiler, therefore we recommend to read and keep them with care.



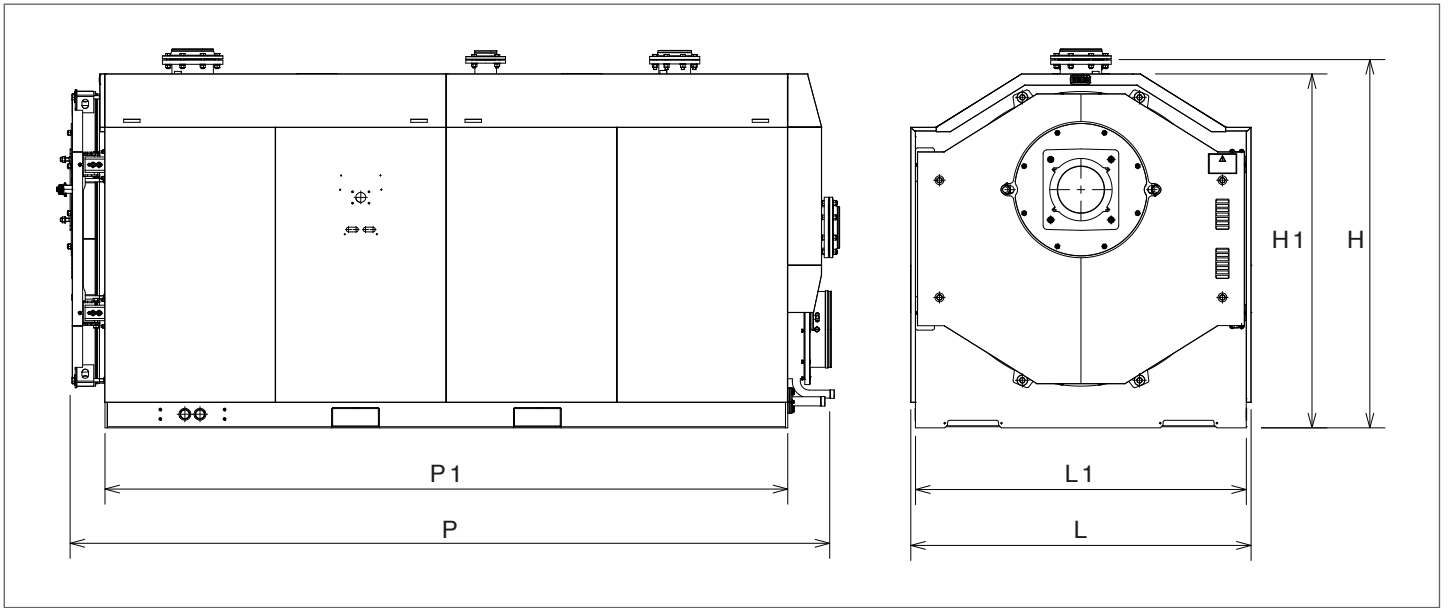
(*) Inside the combustion chamber: B-C-D-E-F-G.

The second package contains the panelling, complete with the assembly accessories, inside a protective cardboard box and a wooden crate.

! For the boiler to function correctly, it must be connected to a **IDEAL** control panel and dedicated control accessories.



4.2 Overall dimensions and weights



DESCRIPTION	EVOJET				
	1750	2100	2600	3000	
L	1,800	1,800	1,900	2,000	mm
L1	1,750	1,750	1,850	1,950	mm
P	3,620	4,020	4,425	4,640	mm
P1	3,212	3,612	4,024	4,206	mm
H	1,945	1,945	2,070	2,170	mm
H1	1,870	1,870	1,997	2,097	mm
Net weight	4,365	4,750	5,820	6,750	kg

4.3 Handling

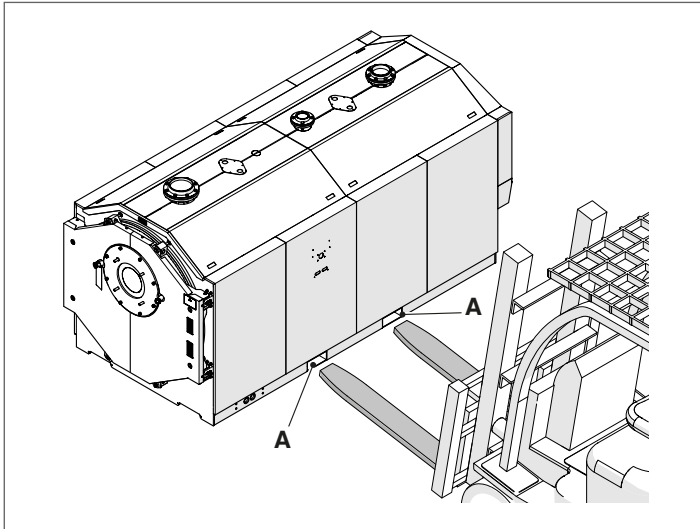
⚠ Before handling the appliance and removing the packaging, wear PPE and use tools suitable for the appliance's size and weight.

The product can be moved in two ways:

- Using a forklift truck with adequate lifting capacity.
- Using a hoist with adequate lifting capacity;

HANDLING WITH A FORKLIFT

Two pockets (A) for handling with a forklift are positioned in the lower part and accessible from both sides of the boiler.

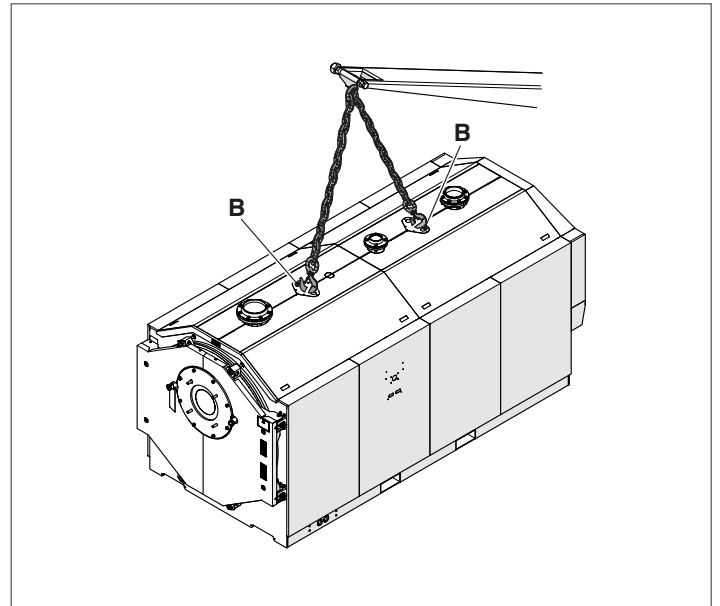


MOVING WITH A HOIST

Two lifting points (B) are provided for lifting with crane on the upper part of the boiler. Proceed as follows to move the boiler and remove the packaging:

- Remove the protective film;
- Move the boiler to the place of installation, use a crane for lifting and using only the lifting accessories provided with it.
- If chains are used to lift the boiler, make sure that at least two of the chains are load-bearing.
- Lift with the utmost care.
- Maintain an angle less than 45 degrees from the vertical when lifting the boiler with chains or ropes.
- The crane must be operated by trained personnel.

⚠ The packaging material must be disposed of carefully and must not be abandoned, as it is a source of potential danger.



⚠ Risk of injury resulting from the transport of heavy loads and inadequate fastening of loads for transport.

4.4 Installation premises

IDEAL EVOJET steel boilers must be installed in a dedicated boiler room, with adequately sized vents, in compliance with applicable laws and standards.

If at all possible, the boiler should be installed on a raised base to stop the burner fan sucking up dust and to facilitate installation of a condensate drain system.

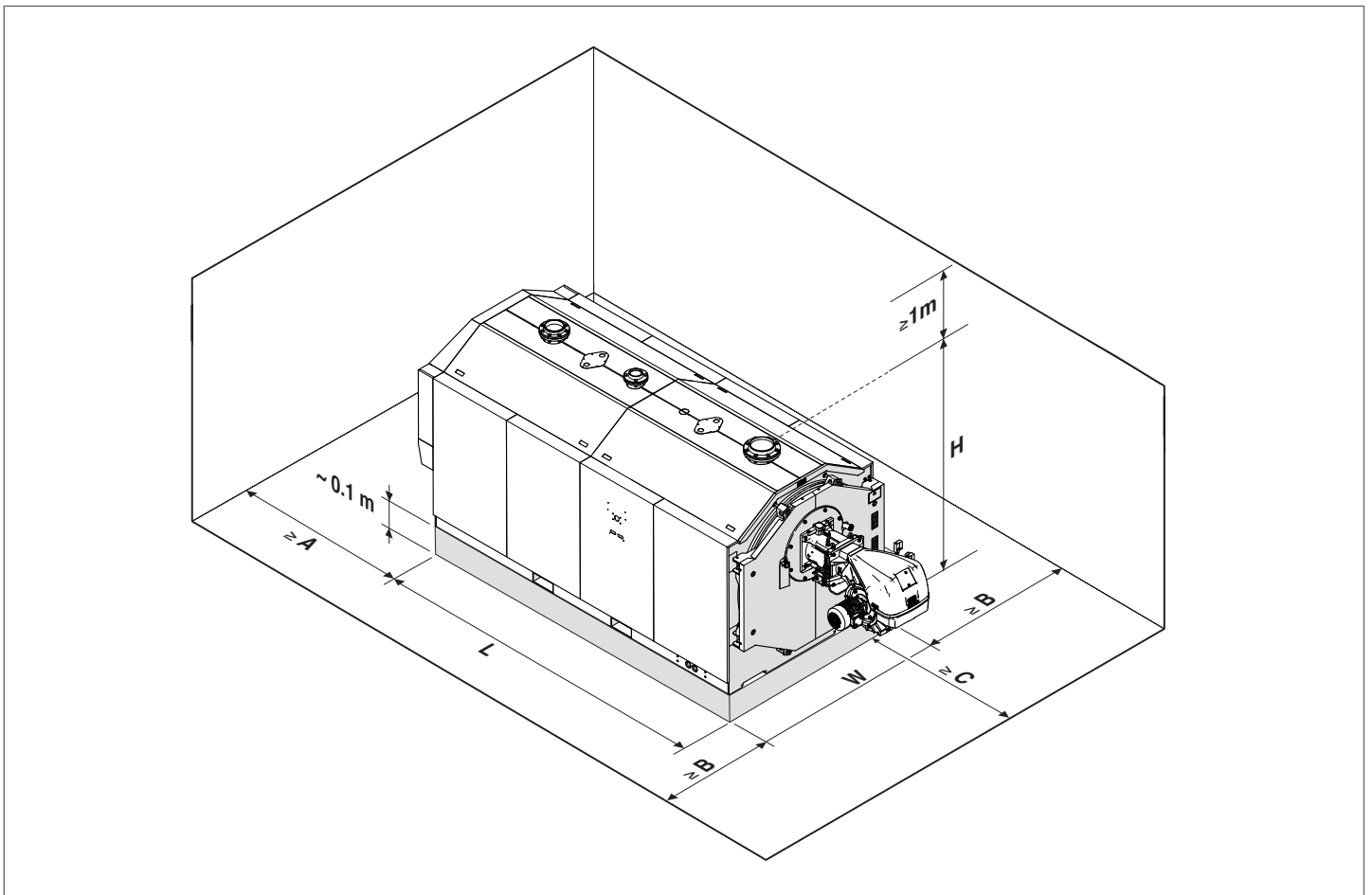
The boiler condensate drain must be located above the height of the lid of the system's condensate neutraliser.

The gas supply pipe must be installed in such away that the boiler's panelling can be removed and the front door opened without having to remove the burner.

⚠ When installing the boiler, allow sufficient space around it to access all safety and control devices and to permit easy maintenance.

⚠ If the specific weight of the gas supply to the burner is greater than the specific weight of air, install all electrical parts at least 500 mm above floor level.

⊖ Do not install the boiler outdoors. It is not designed to work outdoors and is not fitted with the necessary automatic anti-frost systems to do so.



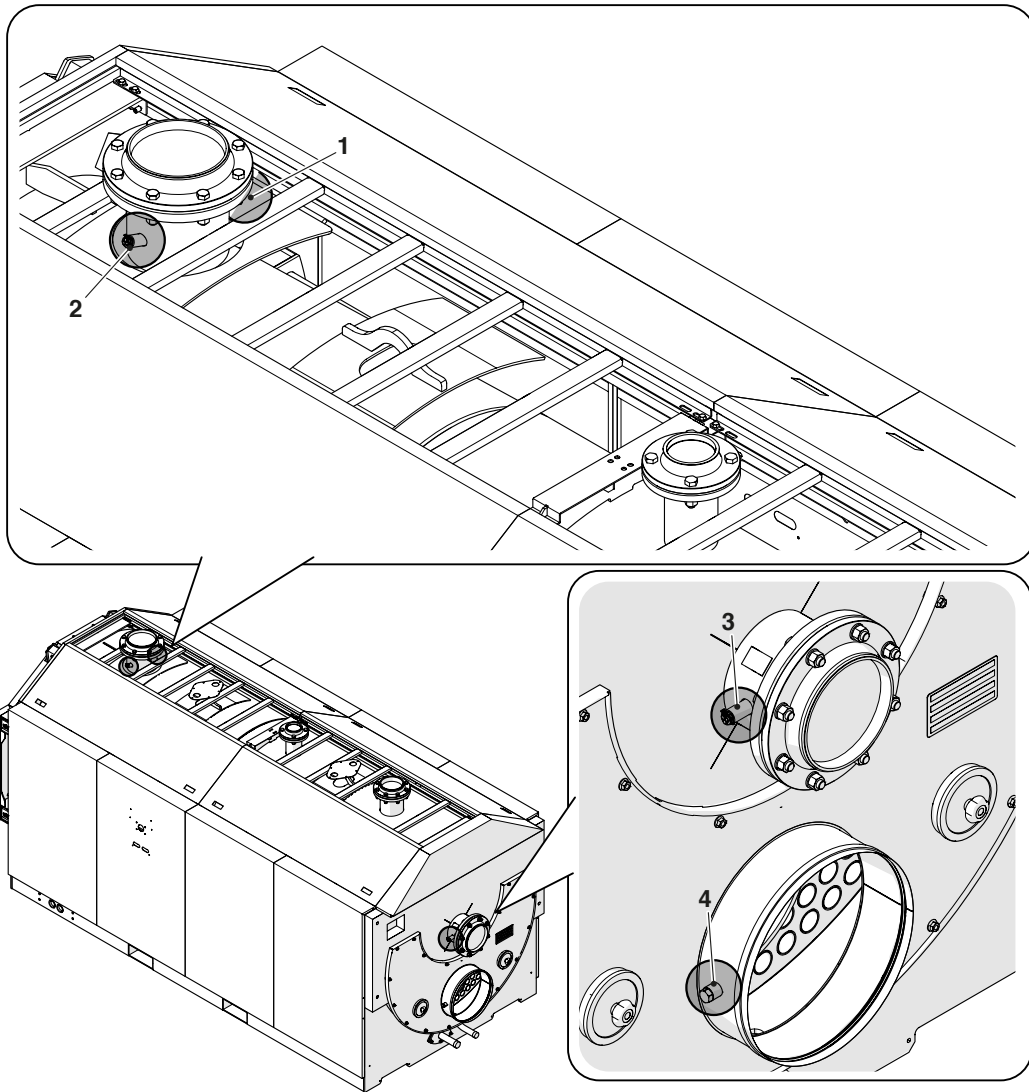
DESCRIPTION	EVOJET				
	1750	2100	2600	3000	
W - Width	1,750	1,750	1,850	1,950	mm
L - Length	3,212	3,612	4,024	4,206	mm
H - Overall height (boiler + base)	2,045	2,045	2,170	2,270	mm

DESCRIPTION	CLEARANCES	
	Minimum	Recommended
A - Rear (mm)	1,000	1,000
B - Side (mm)	1,500*	1,500
C - Front	Burner Length	≥ L

(*) Side panel may need fitting prior to placing boilers in cascade.

4.5 Positioning of sensor sockets

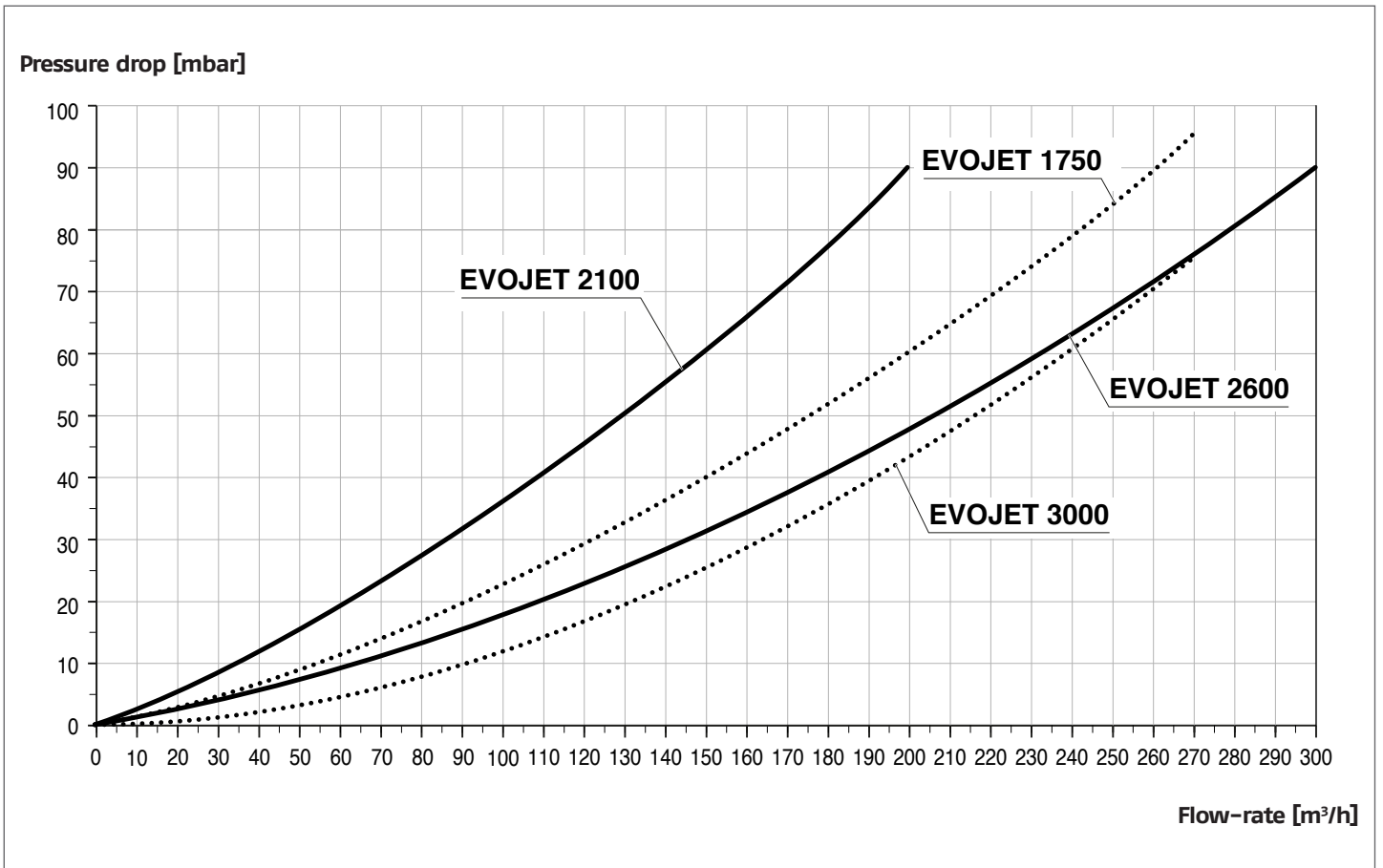
EVOJET 2100-2600



EVOJET	1750		2100		2600		3000	
Length of the socket	min.	max.	min.	max.	min.	max.	min.	max.
1 - Flow sensor socket connector (1/2")	70mm	150mm	70mm	150mm	70mm	150mm	70mm	150mm
2 - Overtemperature protection (1/2")	120mm	190mm	120mm	190mm	120mm	190mm	120mm	190mm
3 - Return sensor socket connector (1/2")	120mm	150mm	120mm	150mm	120mm	150mm	120mm	150mm
4 - Flue gases sensor socket connector (1/2" NPT)	120mm	190mm	120mm	190mm	120mm	190mm	120mm	190mm

⚠ Thermometric sockets are not provided. The socket connections are closed with metal plugs.

4.5.1 Water-side pressure drop



4.6 Water in central heating systems

INTRODUCTION

Water used in central heating systems MUST be suitably treated to ensure the correct functioning of those systems and to guarantee an extended working life for boilers and all other system components. This applies not only to existing systems but to newly installed systems too.

Sludge, lime-scale and pollutants present in the water can cause permanent damage to the heating unit, also within a short time and regardless of the quality standards of the materials used. Contact the Technical Assistance Service for any further information on type and use of additives.

! Always conform to the standards and legislation applicable in the country of installation.

WATER IN CENTRAL HEATING SYSTEMS. INSTRUCTIONS FOR THE DESIGN, INSTALLATION AND MANAGEMENT OF CENTRAL HEATING SYSTEMS.

1. Chemical and physical characteristics of water

The chemical and physical characteristics of water used in central heating systems must conform to the requirements of EN 14868 standard and to the following tables:

STEEL BOILERS with furnace power > 150 kW			
		Initial filling water	Regular service water (*)
ph		6-8	7.5-9.5
Hardness	°fH	< 5°	< 5°
Electrical conductivity	µs/cm		< 100
Chlorides	mg/l		< 10
Sulphides	mg/l		< 10
Nitrides	mg/l		< 10
Iron	mg/l		< 0.5

(*) values for water in system after 8 weeks of functioning

General note on water used to top up systems:

- If softened water is used to top up a system, 8 weeks of functioning after topping up, verify that the water in the system respects the above limits, in particular for electrical conductivity
- This check is not necessary if demineralised water is used to top up the system.

2. Central heating systems

! Do not use automatic filling devices to add water to central heating systems. Use a manual device instead and record top-ups in the system service book.

! If there are more than one boiler, they must all be put into service either contemporarily or with a very low rotation time during the initial period of service, so as to evenly distribute the limited quantity of initial lime-scale.

! A flushing cycle must be programmed after the plant has been installed to flush out any installation debris.

! Water used to fill a system for the first time and water used to top it up must always be filtered (using synthetic or metal mesh filters with a filtration rating of no less than 50 microns) to prevent sludge from forming and triggering deposit corrosion.

! The heating system must be flushed out and cleaned with good workmanship before filling up the existing systems. The boiler may not be filled until after the heating system has been flushed out.

2.1 New central heating systems

The system must be filled up slowly the first time; once it is filled and the air expelled it should never need to be topped up again. Systems should also be operated at maximum working temperature the first time they are started up, in order to facilitate de-aeration. (Gas is not released from the water at low temperatures).

2.2 Reconditioning old central heating systems

If a boiler has to be replaced, do not refill the entire central heating circuit if the quality of water in it conforms to requirements. If the quality of water fails to conform to requirements, either recondition the old water or separate the water circuits (water in the boiler circuit must conform to requirements).

3. Corrosion

3.1 Deposit corrosion

Under-deposit corrosion is an electrochemical process, due to the presence of sand, rust, etc., inside the mass of water. These solid substances generally deposit on the bottom of the boiler (sludge), on tube and pipe heads or in the gaps between pipes and tubes.

Micro-corrosion phenomena may be triggered off owing to the difference in electrochemical potential coming to be created between the material in contact with the impurity and the surrounding one.

3.2 Stray current corrosion

Corrosion from stray currents can occur due to the differing electrical potentials between water in the boiler and the metallic mass of the boiler or piping. This process leaves unmistakable traces i.e. small regular conical holes.

⚠ All metallic parts should be grounded by an efficient earth cable for this reason.

4. Eliminating air and gas from central heating systems

If oxygen enters a circuit continuously or even intermittently (e.g. in under-floor heating systems whose pipes are not protected by impermeable synthetic sheaths, in circuits with open expansion vessels, or in circuits that require frequent top-ups) always separate the boiler's water circuit from the central heating circuit.

Mistakes to avoid and precautions.

From what we have seen it is therefore important to avoid two factors possibly leading to the above mentioned processes i.e. contact between air and water in the installation and regular topping up with fresh water.

To eliminate contact between air and water (and to prevent the latter from becoming oxidized), it is necessary:

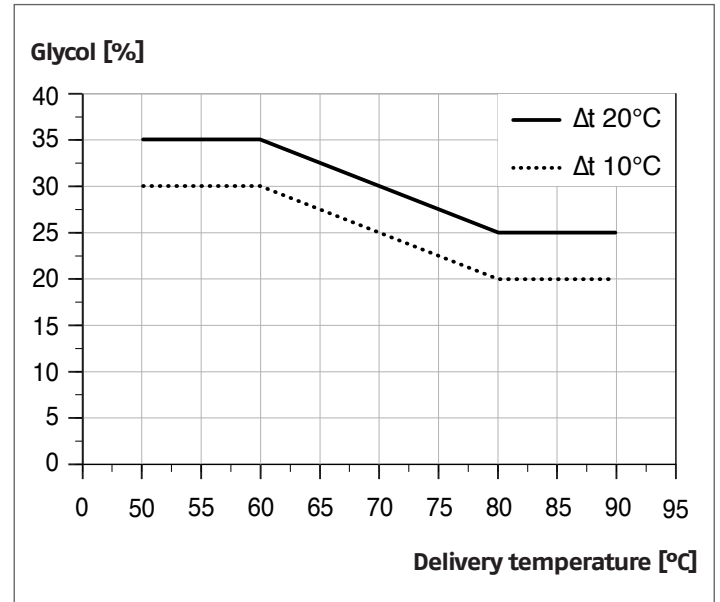
- For the expansion system to be a closed vessel type, correctly scaled and with the correct pre-loading pressure (to be regularly checked)
- For the installation to always be at a higher pressure than that of the atmosphere at any point (comprising the pump suction side) and under all running conditions (all the water sealing and couplings in the installation are designed to resist pressure towards outside, but not for depression)
- That the installation will not be made with materials permeable to gas (e.g. plastic pipes for floor systems without anti-oxygen barrier).

⚠ Lastly we would remind you that the warranty does not cover breakdowns incurred by the boiler due to deposits and corrosion.

4.6.1 Glycol

The percentage of propylene glycol which can be used is dependent on the maximum delivery temperature and the project ΔT as defined by the generator.

To calculate the maximum percentage, use the graph below.



To calculate the freezing temperature associated with the mix, please see the technical datasheet for the product used.

IMPORTANT INFORMATION REGARDING HEAT-TRANSFER FLUIDS

Heat-transfer fluids are particularly important for protecting the system: efficient heat exchange, thanks to a good specific heat capacity; anti-freeze properties, important for the life of the system in the winter; and anti-corrosion properties to preserve the heating system components.

When choosing a heat-transfer fluid, consider the following:

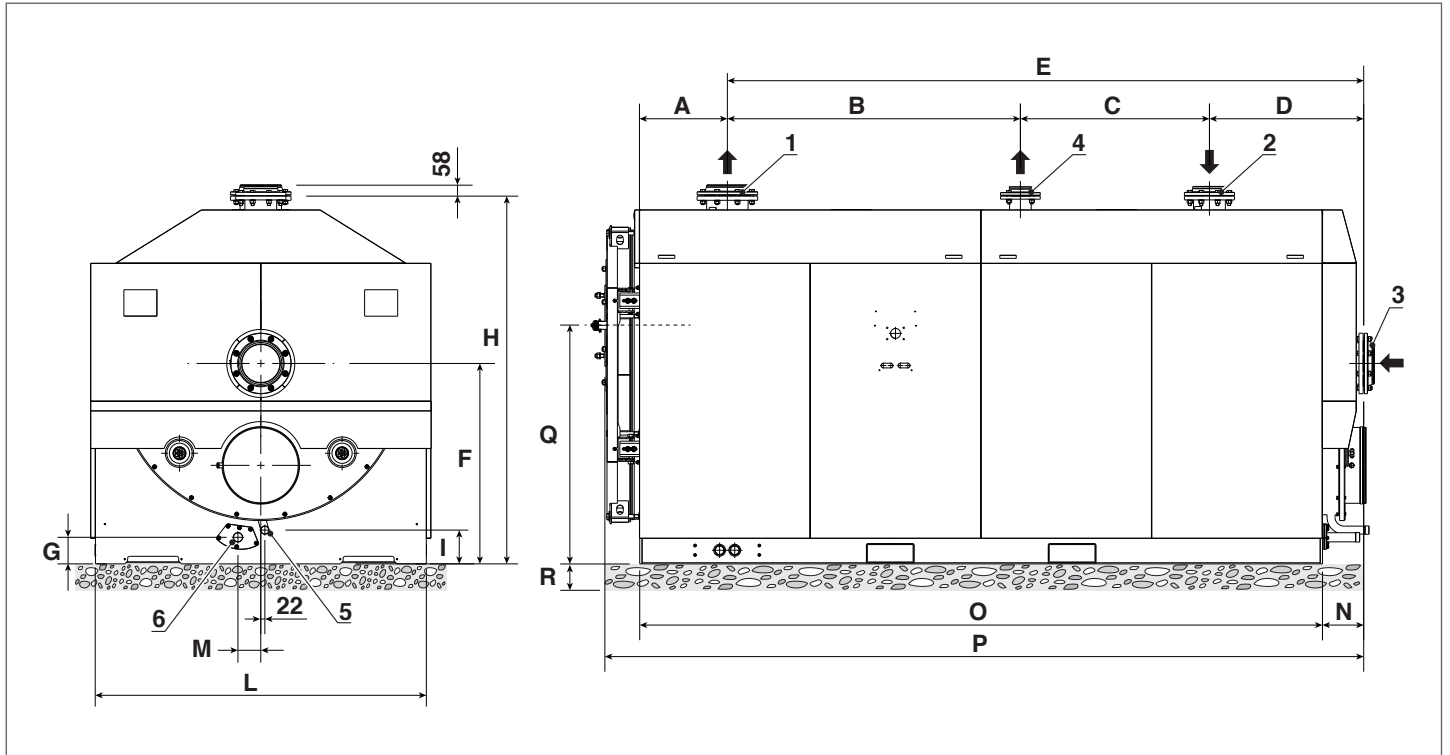
- **toxicity** in the event of leakage, contaminating domestic water or water for animal/human use/contact
- **biodegradability** in the event of leakage into the environment

All heat-transfer fluids recommended by Ideal are non-toxic and in large part biodegradable.

⚠ Choose the liquid carefully and manage the heating system correctly to keep monitoring and maintenance work to a minimum, and reduce fluid changes.

4.7 Water connections

Steel boilers **IDEAL EVOJET** are designed and built to be installed on heating systems and also for the production of domestic hot water if connected to suitable systems.
The characteristics of the water fittings are shown in the table.



⚠ The choice of system components and the method of their installation are left up to the installer. Installers must use their expertise to ensure proper installation and functioning in compliance with all applicable legislation.

⚠ Circuits filled with anti-freeze must be fitted with water disconnectors.

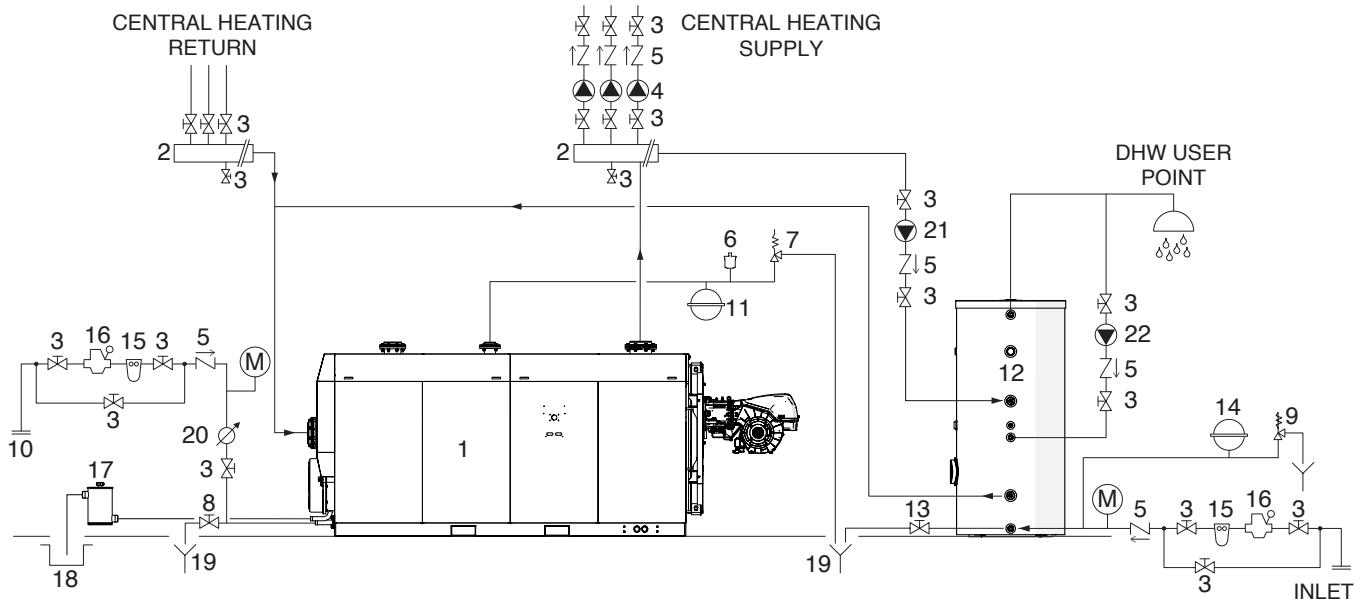
DESCRIPTION	EVOJET				
	1750	2100	2600	3000	
1 - System delivery (*)	150	200	200	200	DN - PN6
2 - 2nd return (High temperature) (*)	100	150	150	150	DN - PN6
3 - 1st return (Low temperature) (*)	150	200	200	200	DN - PN6
4 - Safety valve drain	80	100	100	100	DN - PN6
5 - Condensate drain	1 1/4"	1 1/4"	1 1/4"	1 1/4"	∅
6 - Boiler drain	1 1/2"	1 1/2"	1 1/2"	1 1/2"	∅
A	465	465	465	465	mm
B	1,348	1,550	1,850	1,850	mm
C	950	1,000	1,050	1,250	mm
D	665	815	880	860	mm
E	2,963	3,365	3,780	3,960	mm
F	1,060	1,060	1,150	1,210	mm
G	140	140	114	111	mm
H	1,945	1,945	2,070	2,170	mm
I	180	180	170	163	mm
L	1,750	1,750	1,850	1,950	mm
M	120	120	115	115	mm
N	215	215	220	220	mm
O	3,212	3,612	4,024	4,206	mm
P	3,620	4,020	4,425	4,605	mm
Q - Burner Axis	1,060	1,060	1,150	1,210	mm
R	100	100	100	100	mm

(*) All flanged connections are PN6 according to EN 1092-1.





NOTE: The vertical positions do not include the thickness of the plinth

4.8 Schematic diagram

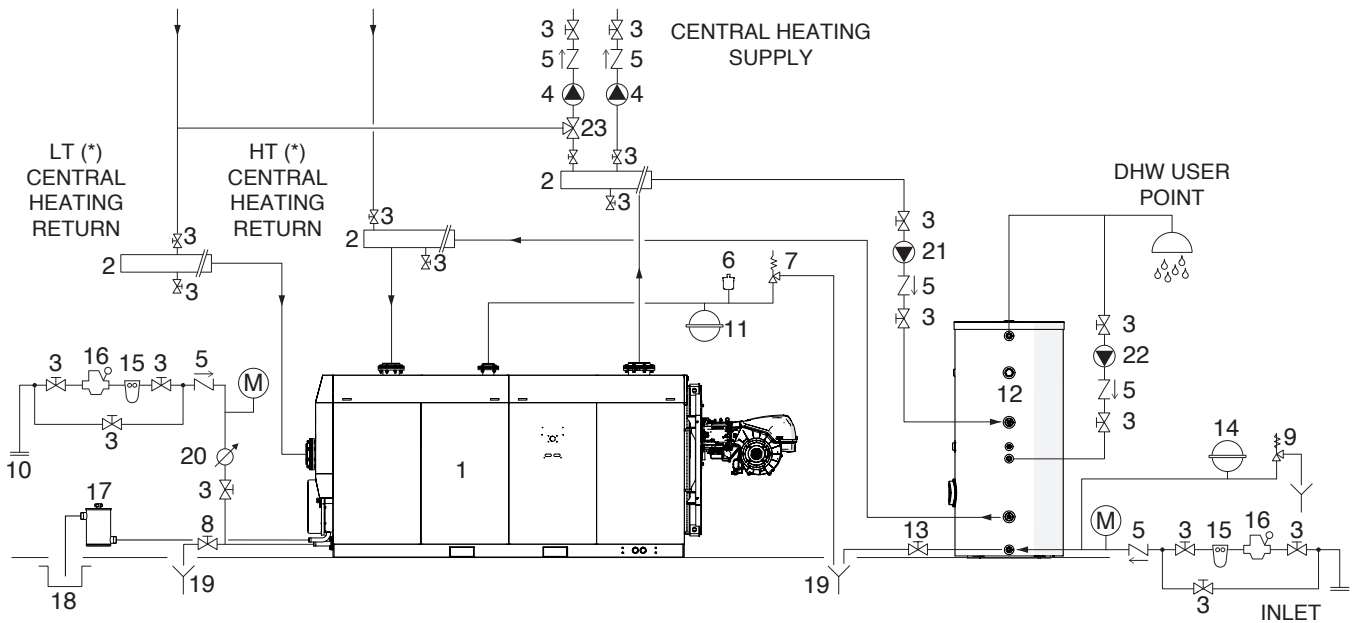
Direct systems







- | | |
|--|--------------------------------|
| 1 Boiler IDEAL EVOJET | 13 Storage cylinder drain cock |
| 2 Central heating system manifolds | 14 DHW expansion vessel |
| 3 Disconnect valves | 15 Water softener filter |
| 4 System pumps | 16 Pressure reducer |
| 5 Non-return valves | 17 Siphon |
| 6 Automatic vent valve | 18 Condensate outlet |
| 7 Boiler safety valve | 19 Boiler drain |
| 8 Gate valve | 20 Water supply/top-up counter |
| 9 Storage cylinder safety valve | 21 DHW circulator |
| 10 System filling cock | 22 DHW circulation pump |
| 11 CH expansion vessel | M Pressure gauge |
| 12 Remote controlled water tank IDEAL | |

-  Domestic hot water and central heating circuits must be completed with expansion vessels of adequate capacity and suitable, correctly-sized safety valves. The discharge of safety valves and appliances must be connected to a suitable collection and disposal system (see Catalogue for compatible accessories).
-  The choice of system components and the method of their installation are left up to the heating engineer installing the system. Installers must use their expertise to ensure proper installation and functioning in conformity to all applicable legislation.
-  Special supply/refill water must be conditioned using suitable treatment systems.
-  It is prohibited to operate the thermal module without water.

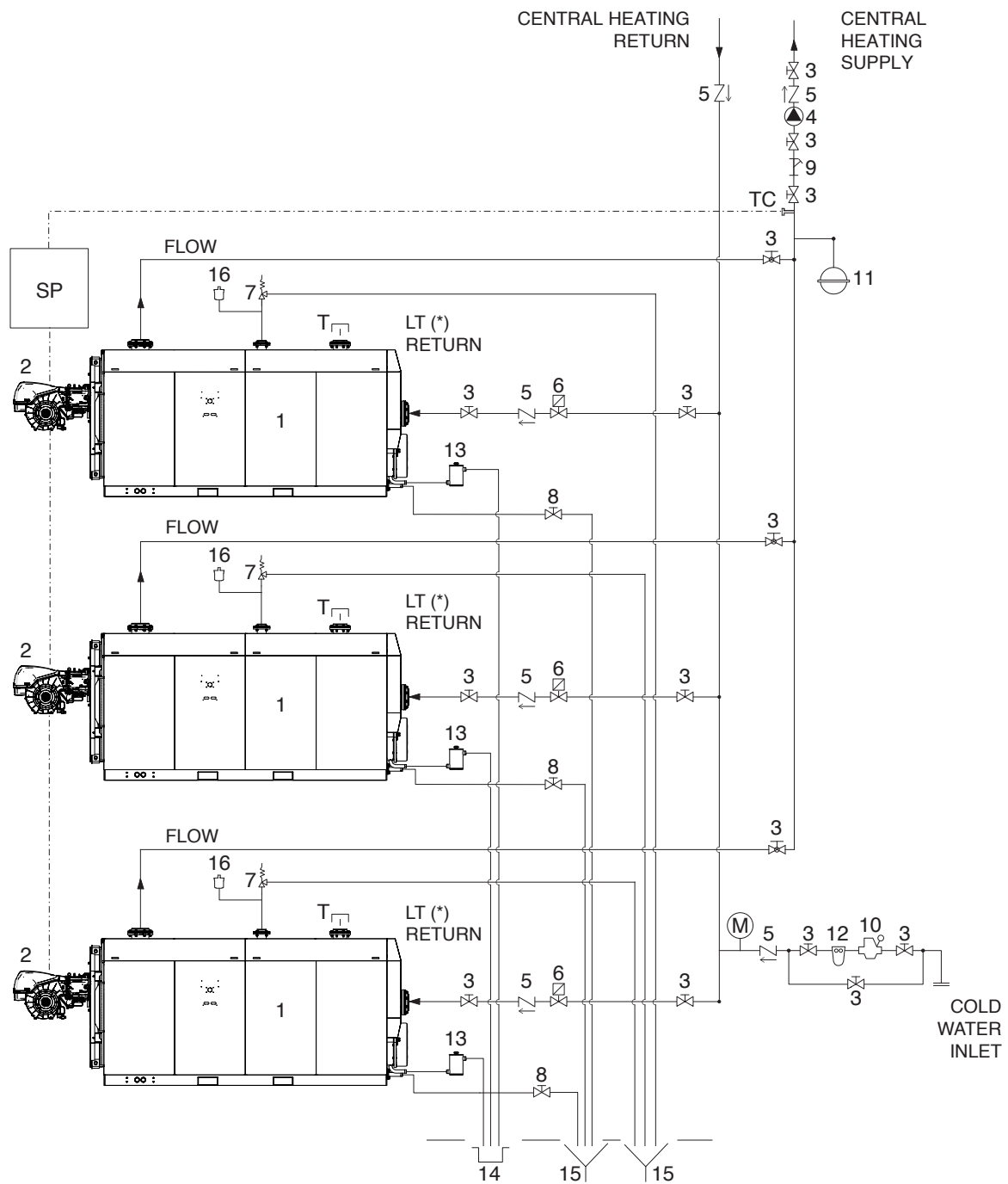
Direct and mixed systems



- | | |
|--|--------------------------------|
| 1 Boiler IDEAL EVOJET | 13 Storage cylinder drain cock |
| 2 Central heating system manifolds | 14 DHW expansion vessel |
| 3 Disconnect valves | 15 Water softener filter |
| 4 System pumps | 16 Pressure reducer |
| 5 Non-return valves | 17 Siphon |
| 6 Automatic vent valve | 18 Condensate outlet |
| 7 Boiler safety valve | 19 Boiler drain |
| 8 Gate valve | 20 Water supply/top-up counter |
| 9 Storage cylinder safety valve | 21 DHW circulator |
| 10 System filling cock | 22 DHW circulation |
| 11 CH expansion vessel | 23 Mixer valve |
| 12 Remote controlled water tank IDEAL | M Pressure gauge |

-  Domestic hot water and central heating circuits must be completed with expansion vessels of adequate capacity and suitable, correctly-sized safety valves. The discharge of safety valves and appliances must be connected to a suitable collection and disposal system (see Catalogue for compatible accessories).
-  The choice of system components and the method of their installation are left up to the heating engineer installing the system. Installers must use their expertise to ensure proper installation and functioning in conformity to all applicable legislation.
-  Special supply/refill water must be conditioned using suitable treatment systems.
-  It is prohibited to operate the thermal module without water.

Combination with multiple condensing boilers

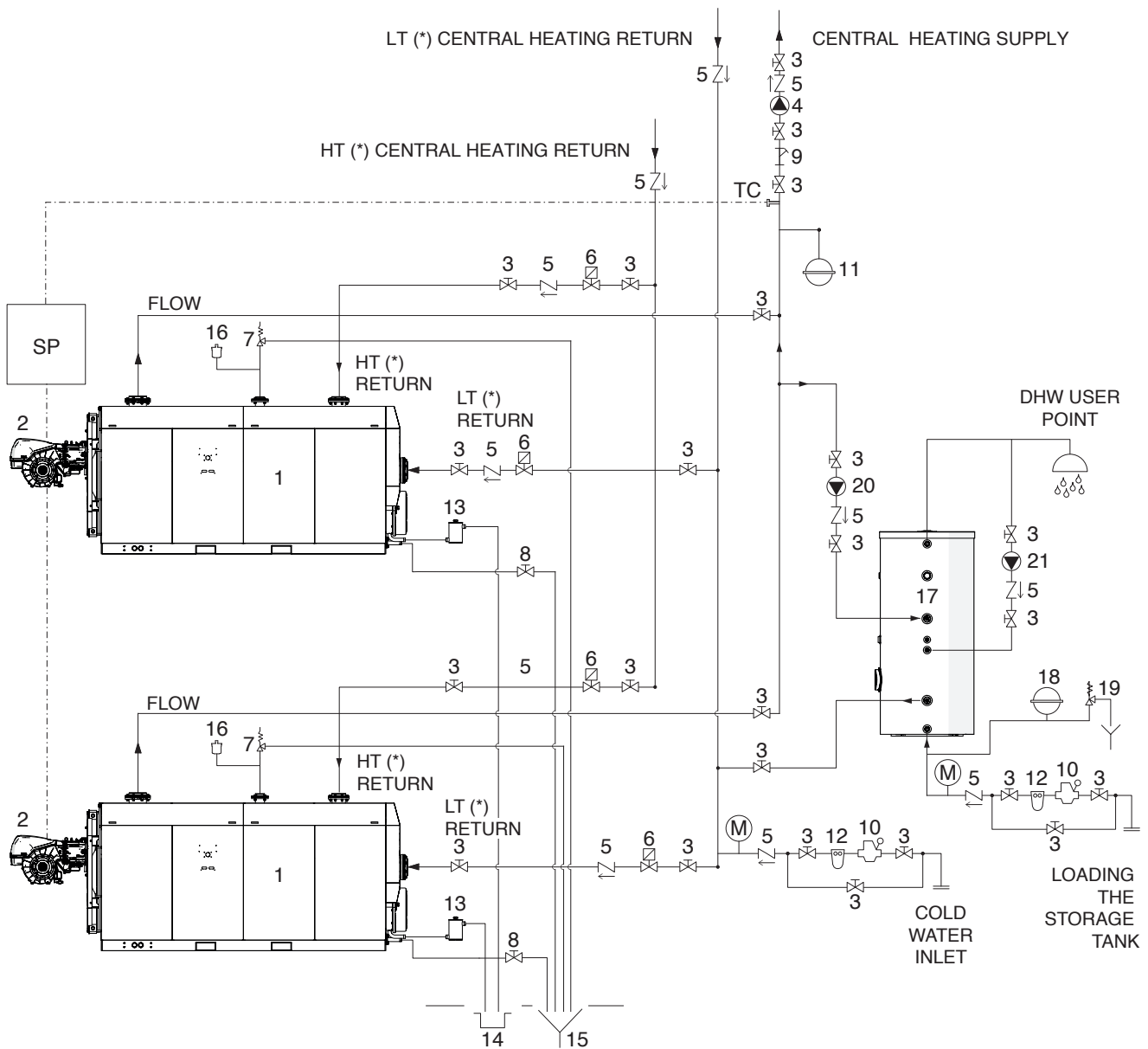


- 1 Boiler
- 2 Burner
- 3 Disconnect valves
- 4 Central heating system pump
- 5 Non-return valves
- 6 Motorised two-way valve
- 7 Boiler safety valve
- 8 Gate valve
- 9 Y filter
- 10 Pressure reducer
- 11 CH expansion vessel
- 12 Water softener filter
- 13 Siphon
- 14 Condensate outlet

- 15 Boiler drain
- 16 Automatic vent valve
- M Pressure gauge
- T Plug
- SP Cascade control panel
- TC Temperature control
- (*) LT = Low temperature

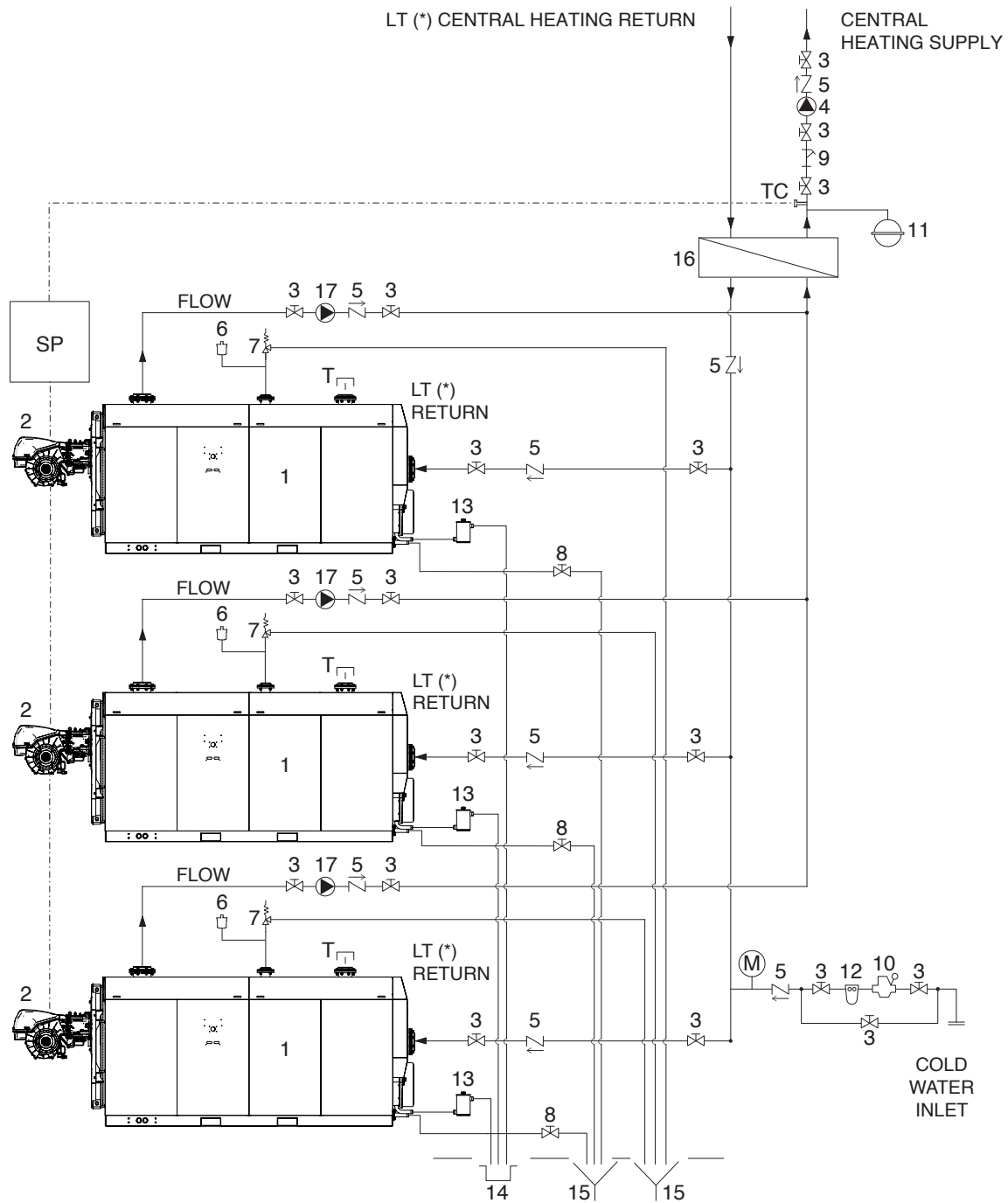
! It is the plumbing designer's role to evaluate application of the reverse return principle, according to the diameter of the delivery and return manifolds.

Two boilers for heating and domestic hot water production with high and low temperature input



- | | | | |
|----|-----------------------------|-----|---|
| 1 | Boiler | 19 | Storage cylinder safety valve |
| 2 | Burner | 20 | DHW circulator |
| 3 | Disconnect valves | 21 | DHW circulation pump |
| 4 | Central heating system pump | M | Pressure gauge |
| 5 | Non-return valves | SP | Cascade control panel |
| 6 | Motorised two-way valve | TC | Temperature control |
| 7 | Boiler safety valve | (*) | HT = High temperature / LT = Low temperature |
| 8 | Gate valve | ⚠ | It is the plumbing designer's role to evaluate application of the reverse return principle, according to the diameter of the delivery and return manifolds. |
| 9 | Y filter | | |
| 10 | Pressure reducer | | |
| 11 | CH expansion vessel | | |
| 12 | Water softener filter | | |
| 13 | Siphon | | |
| 14 | Condensate outlet | | |
| 15 | Boiler drain | | |
| 16 | Automatic bleed valve | | |
| 17 | Storage cylinder | | |
| 18 | DHW expansion vessel | | |

Combination with multiple boilers with primary and secondary circuit



- | | | | |
|----|-----------------------------|-----|-----------------------|
| 1 | Boiler | 15 | Boiler drain |
| 2 | Burner | 16 | Plate heat exchanger |
| 3 | Disconnect valves | 17 | Boiler pump |
| 4 | Central heating system pump | M | Pressure gauge |
| 5 | Non-return valves | T | Plug |
| 6 | Automatic bleed valve | SP | Cascade control panel |
| 7 | Boiler safety valve | TC | Temperature control |
| 8 | Boiler drain cock | (*) | LT = Low temperature |
| 9 | Y filter | | |
| 10 | Pressure reducer | | |
| 11 | Expansion tank | | |
| 12 | Water softener filter | | |
| 13 | Siphon | | |
| 14 | Condensate outlet | | |

! It is the plumbing designer's role to evaluate application of the reverse return principle, according to the diameter of the delivery and return manifolds.

4.9 Condensate evacuation

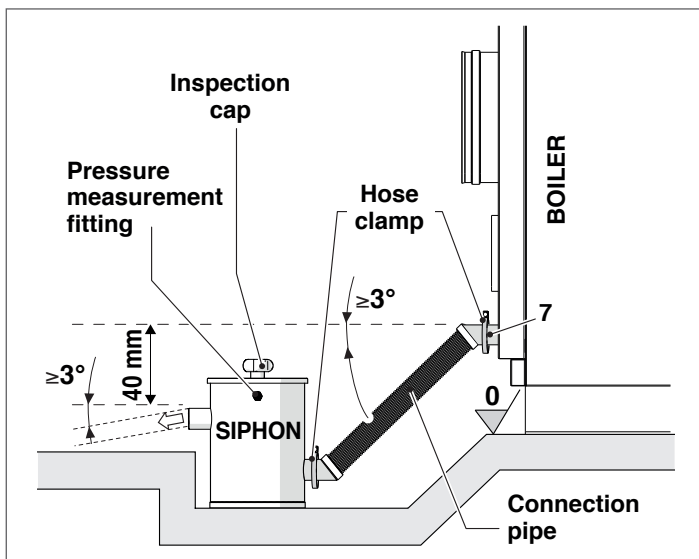
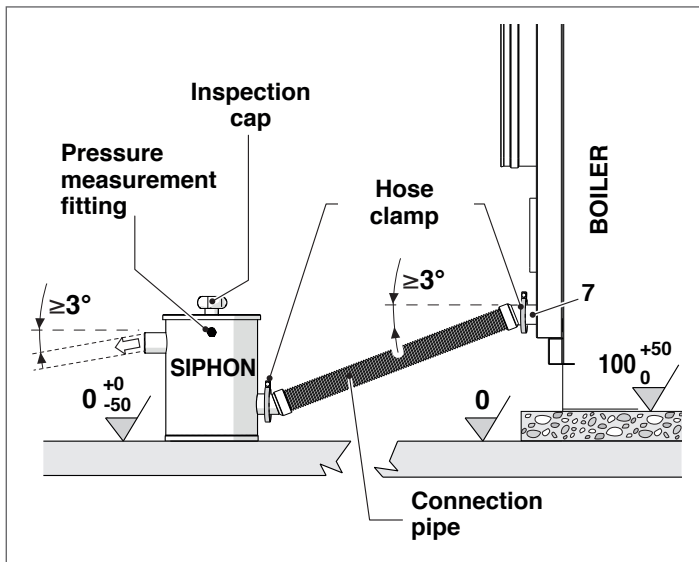
VOJET condensing boilers produce a flow of condensate that varies according to operating conditions. The maximum hourly production of condensate is shown in the technical specifications table for each individual model. The condensate outlet must be sized according to this value and at no point must the diameter be less than the diameter of the boiler condensate discharge (7).

In order to avoid the release of combustion products in the thermal room, it is necessary to insert the trap supplied with the boiler in the condensation drain path. The connecting pipes between the boiler, siphon and waste water drain pit must be laid at a minimum down slope of 3° and must be installed in such a way as to prevent any build-up of.

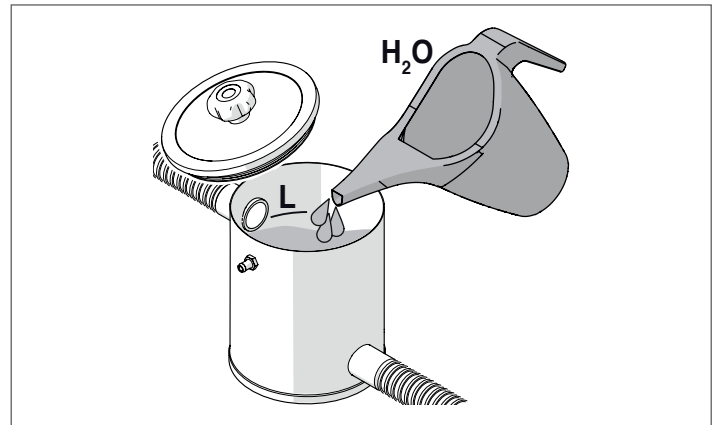
The siphon is equipped with a tapping point (G 1/8") which a pipe can be connected to, to equalise the pressure between the siphon and the exhaust flue.

⚠ Check and clean the condensation drain line on a yearly basis.

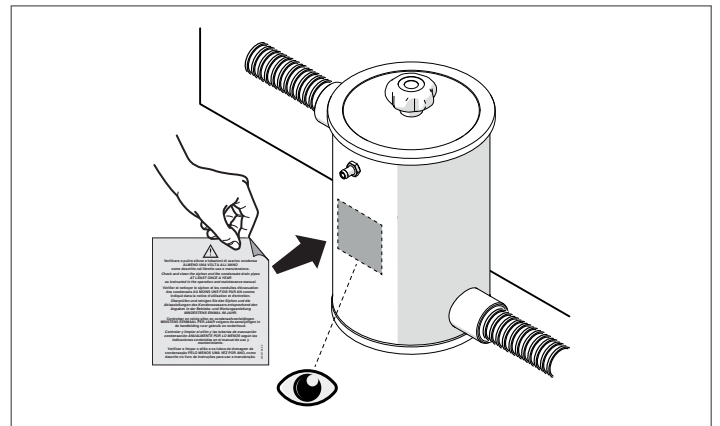
⚠ The connection to the waste water drain pit must be made in compliance with national and local legislation and standards.



⚠ Before commissioning, fill the siphon with water up to level "L" in line with the top fitting.



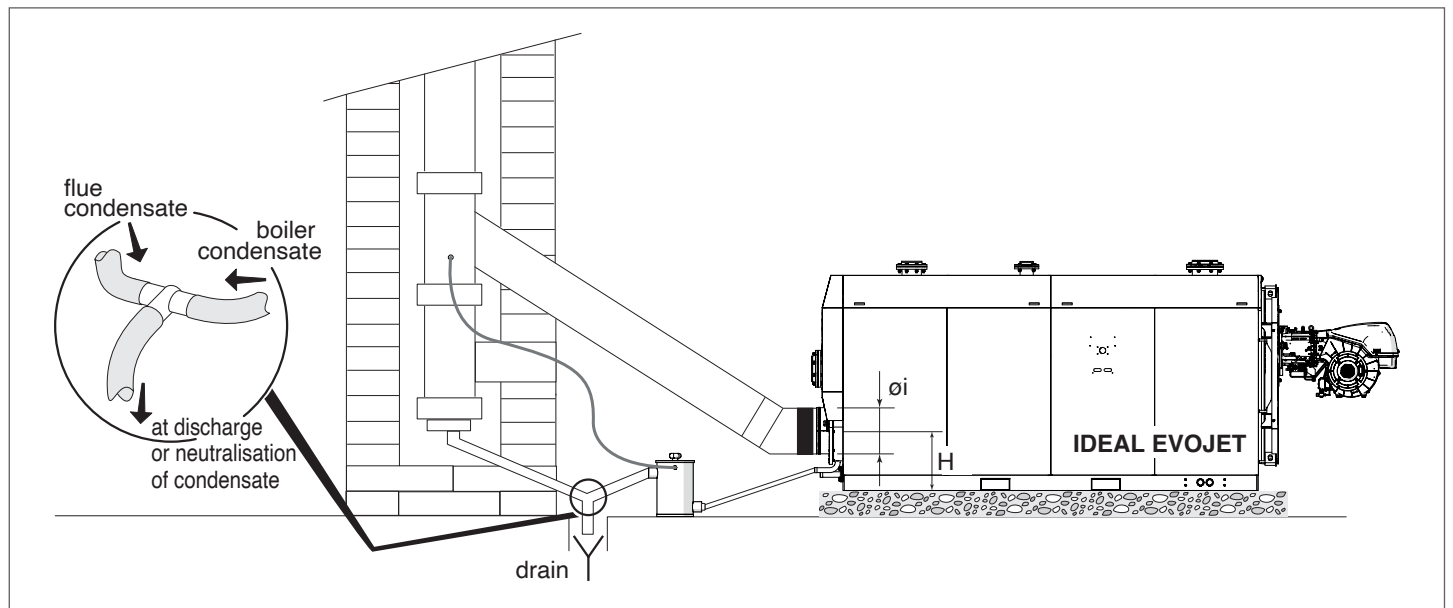
Apply the label supplied with the siphon so that it is visible and legible.



4.10 Discharge of combustion products

The flue gas exhaust and stack connection must be made in compliance with applicable laws and standards, using heat resistant, condensate resistant and stress resistant rigid pipe and sealed joints. The stack must be fitted with a condensate trap and drain and the flue gas exhaust pipe must be installed at a slope of at least 3° towards the boiler.

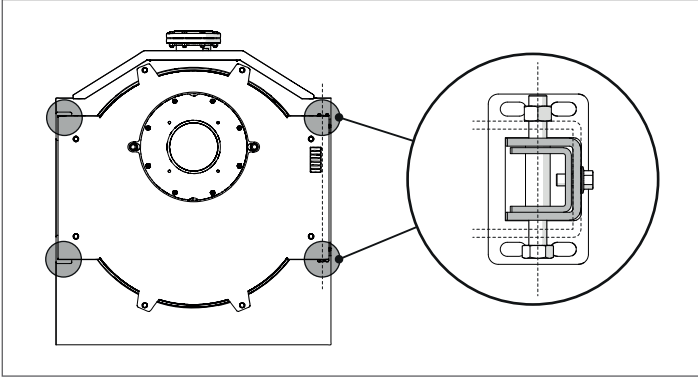
DIMENSIONS (mm)	EVOJET				
	1750	2100	2600	3000	
H - Height of flue gas outlet	521	521	550	600	mm
Ø i Diameter of flue gas fitting	400	400	450	450	mm



- ⚠** The stack must guarantee the minimum draught specified by applicable technical standards, assuming zero pressure at the connection to the flue gas exhaust.
- ⚠** Inadequate or badly dimensioned stacks and flues can increase combustion noise and affect combustion parameters
- ⚠** Joints must be sealed using suitable materials (e.g. filler, mastic or silicon based sealant).
- ⚠** Uninsulated flues are potentially dangerous and can cause burns.
- ⚠** If plastic flue gas outlet ducts are used, install an O-ring safety thermostat set to 90°C. Install the thermostat on the flue gas outlet, with the distance from the boiler body outlet equal to the diameter of the flue gas outlet itself.

4.11 Door hinges

The boilers are equipped with 4 hinge points to allow a rapid reversal of the door opening direction. Check that the opening direction foreseen in the factory is the desired one or modify it according to that indicated in chapter "Variation of the door opening direction".

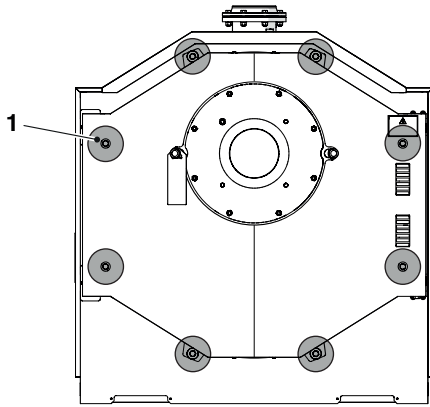


4.12 Changing the direction of door opening

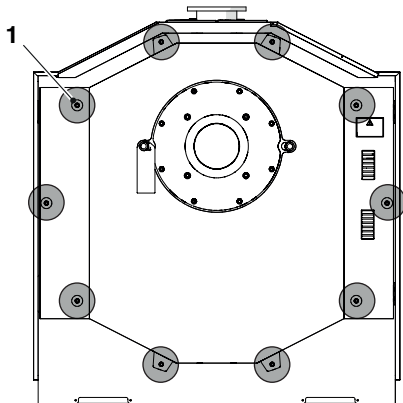
The boiler door hinges are fitted on the right of the door in the factory. If you need to reverse the direction of opening, remove the boiler's side panel and proceed as follows.

⚠ Check that the main locking screws (1) are fully tightened.

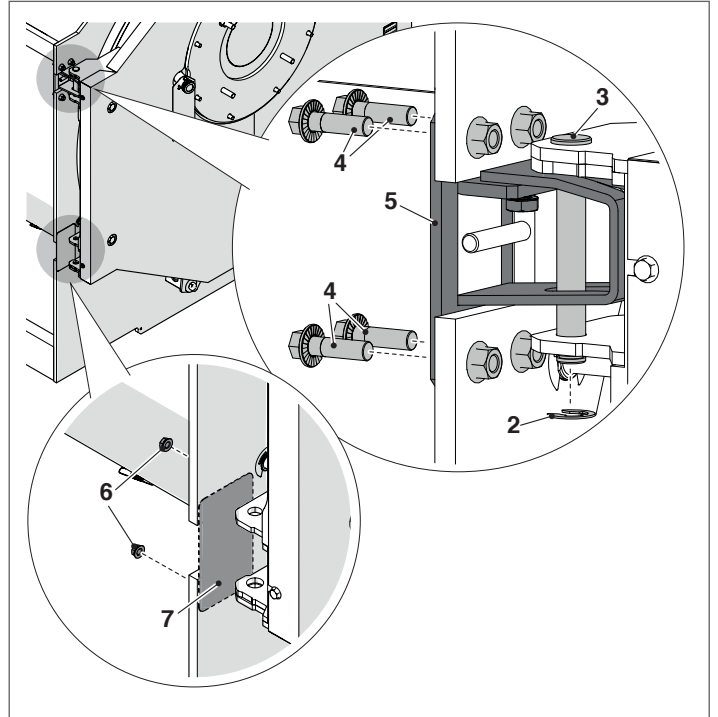
EVOJET 1750-2600



EVOJET 3000



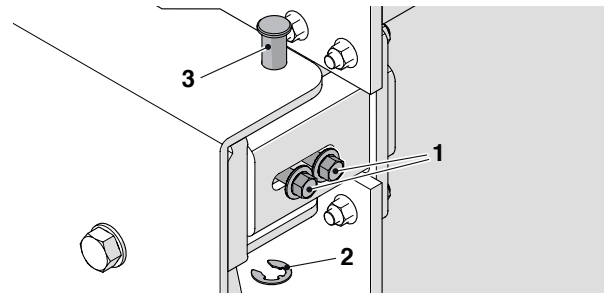
- Remove the snap ring (2) and the through pin (3).
- Unscrew the screws (4) and remove the support/centring bracket (5).
- Unscrew the nuts (6) and remove the plate (7).



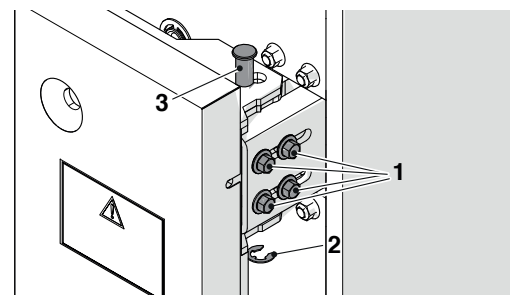
Top hinge

- Loosen the bolts (1) and remove the snap ring (2).
- Remove the through bolt (3).

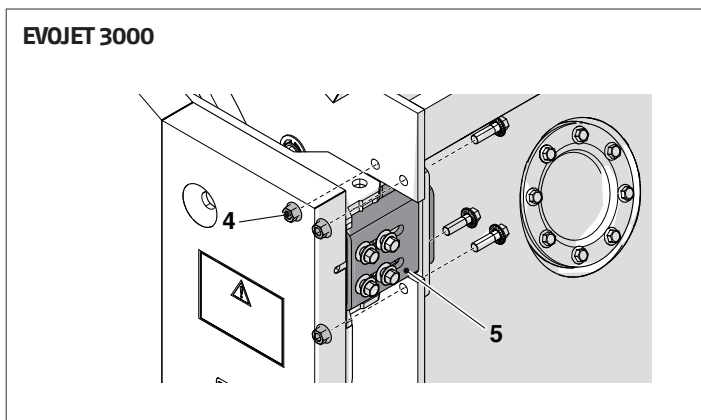
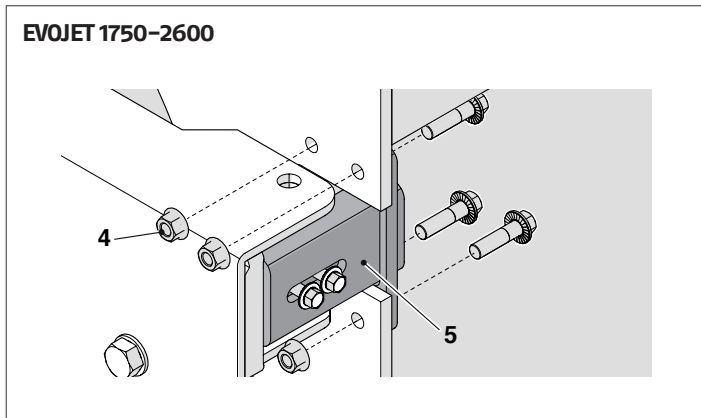
EVOJET 1750-2600



EVOJET 3000



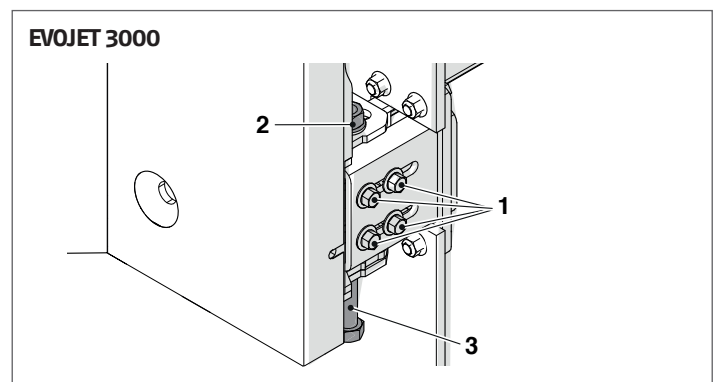
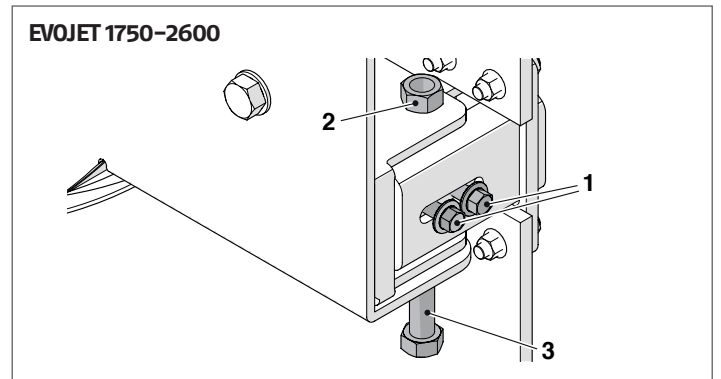
- Unscrew the four nuts (4), remove the bracket (5) and re-fit it on the opposite side by reversing the sequence of actions.



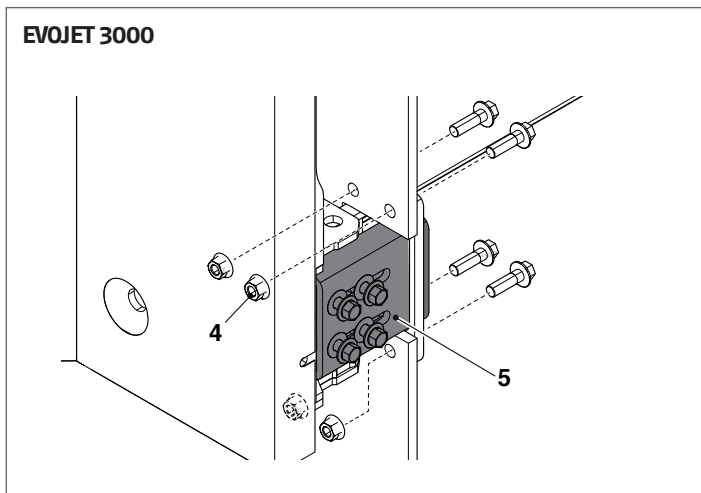
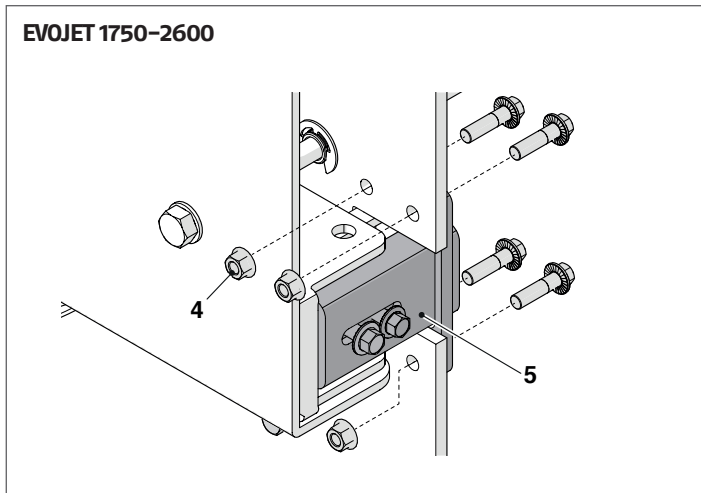
- From this side, fit the support/centring bracket and relative pin previously removed.

Bottom hinge

- Loosen the nuts (1).
- Loosen the nut (2), unscrew and remove the through bolt (3).



- Remove the four nuts (4), remove the bracket (5) and re-fit it on the opposite side by reversing the sequence of actions.



- From this side fit the plate using the nuts previously removed.

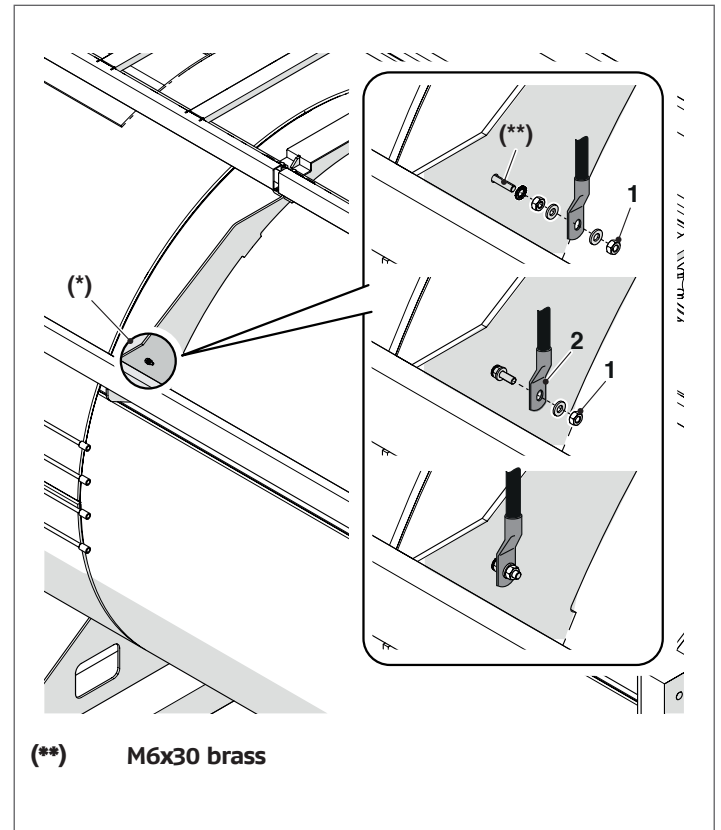
⚠ To avoid dangerous leaks of combustion gases, the door must be constantly and uniformly resting on the double gaskets. For adjustment, follow the instructions in paragraph "Adjusting the door".

4.13 Earth connection

For the earthing of the boiler body, a connection point is provided in the centre of the frame to be connected to an effective earthing system.

Proceed as follows.

- Unscrew the nut and washer (1) from the earth terminal
- Attach the earth cable's eye connector (2) to the terminal. (Make sure that the cable is of adequate size and complies with legislation in the country of installation)
- Fit the nut and washer (1) to the earth terminal and tighten the nut
- Connect the other end of the cable to the system's earth bar.

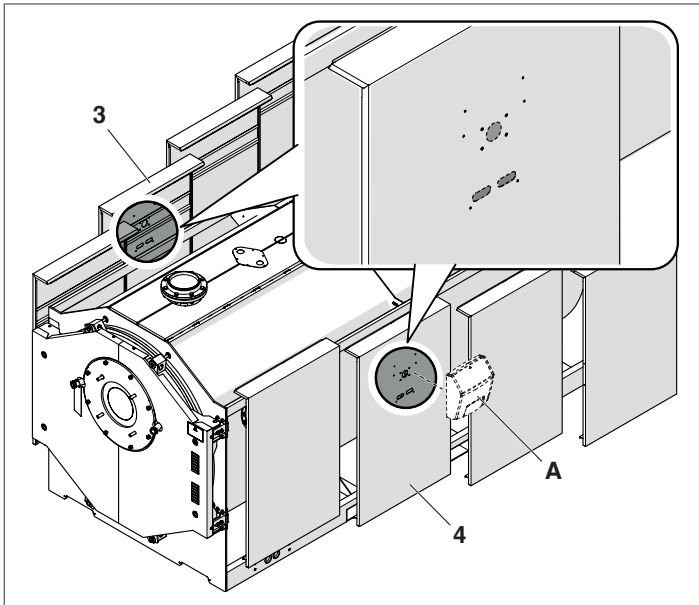


There is another hole (*) on the left side where the earthing connection can be made. If you decide to use the hole on the left side for the earthing connection, it is necessary to remove the hardware on the right side of the hole and apply it to the left side.

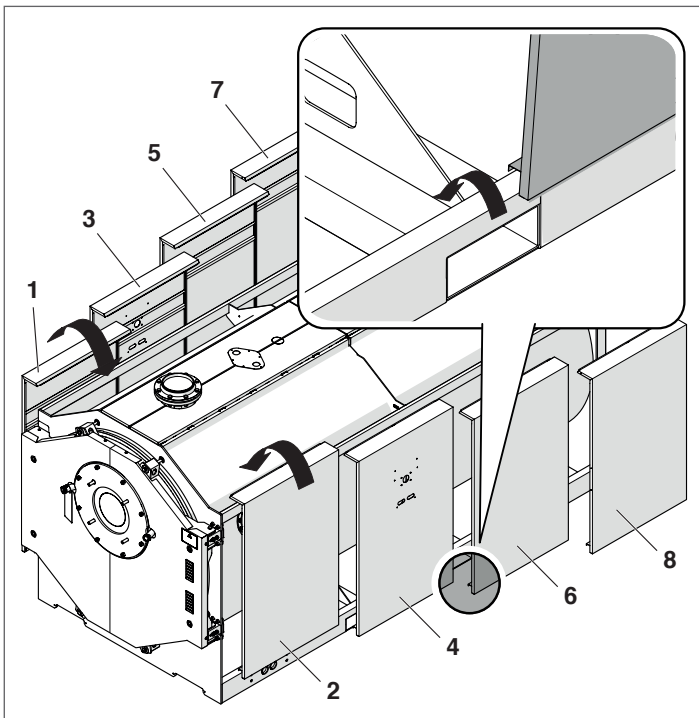
4.14 Fitting the casing panels

To mount the panelling, proceed as follows:

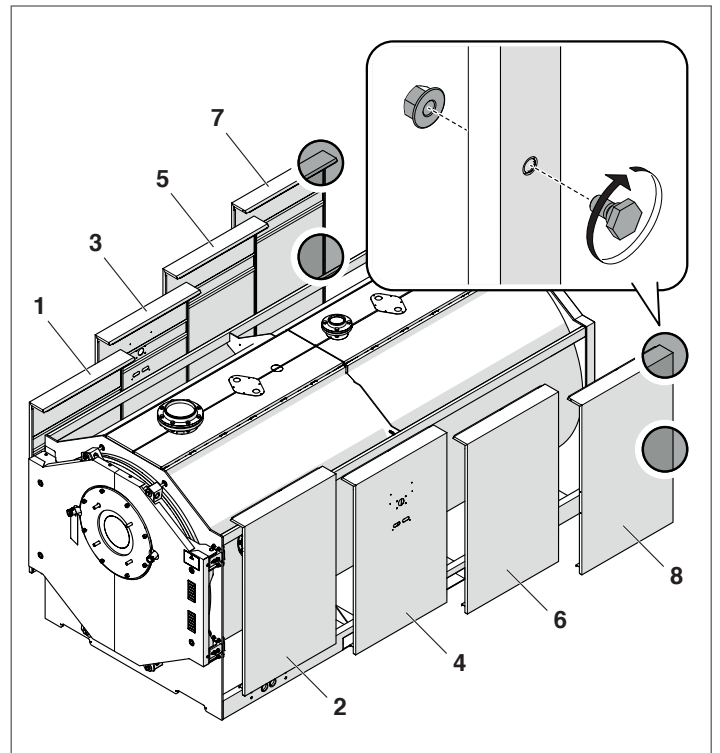
- Open the pre-cut slots on the side panel (3) or (4) (depending on which side you want to install the control panel), in correspondence with the "oval" cable glands of the control panel.
- Perforate the membranes of the control panel cable grommets. Route the electrical cables through them and insert the sensors in their sockets.
- Fasten the control panel (A) to the panelling using the screws supplied.



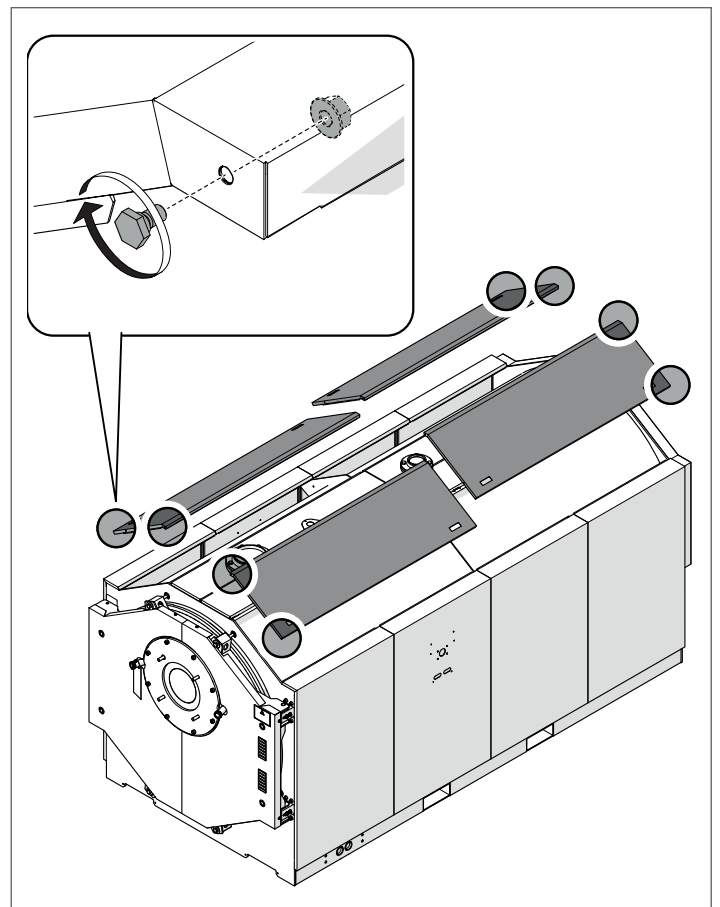
- Fit the side panels (1, 2, 3, 4, 5, 6, 7 and 8) over the boiler's top profiles.



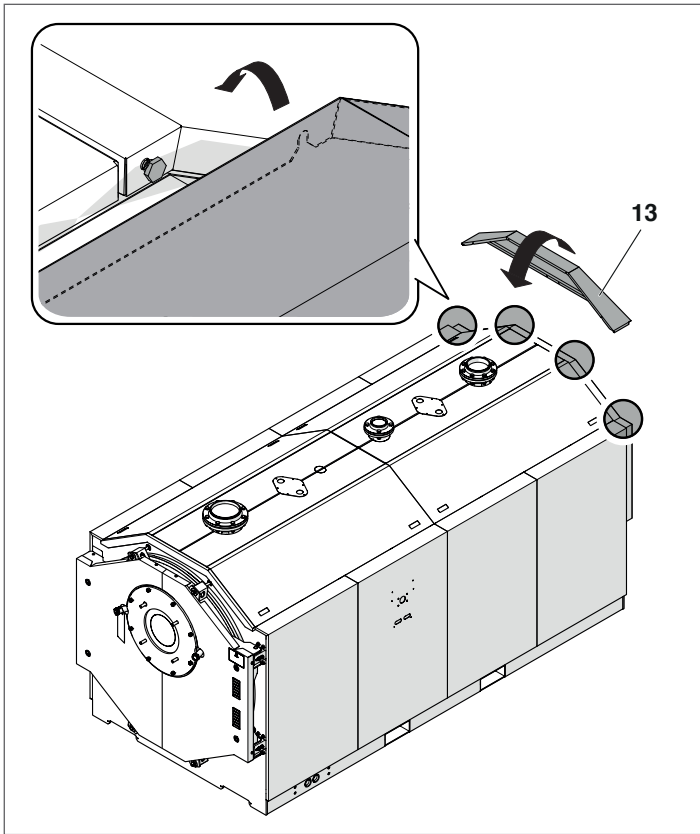
- Screw the four screws (used as fixing points) into the holes on the back of panels (7) and (8) (two per panel).



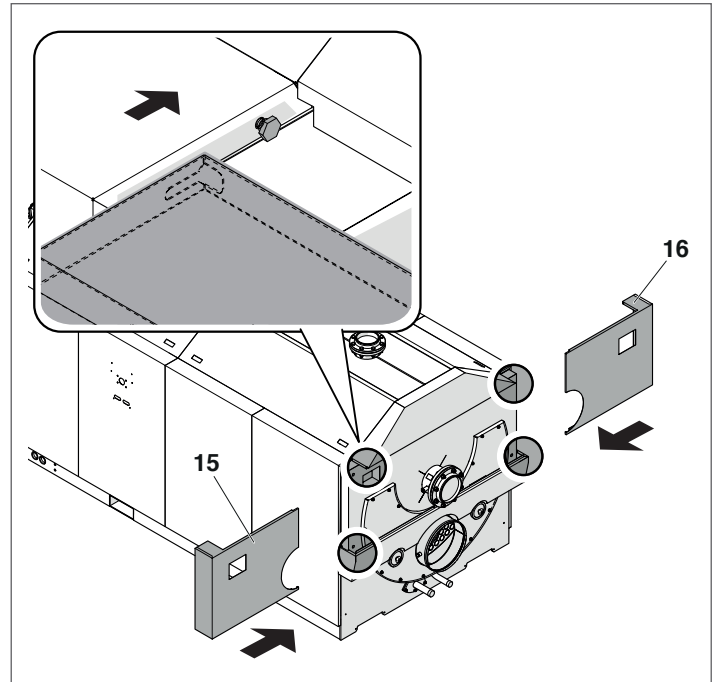
- Fit the upper panels (9, 10, 11, 12) and tighten eight screws (used as fixing points) in the front part of the panels (two per panel).



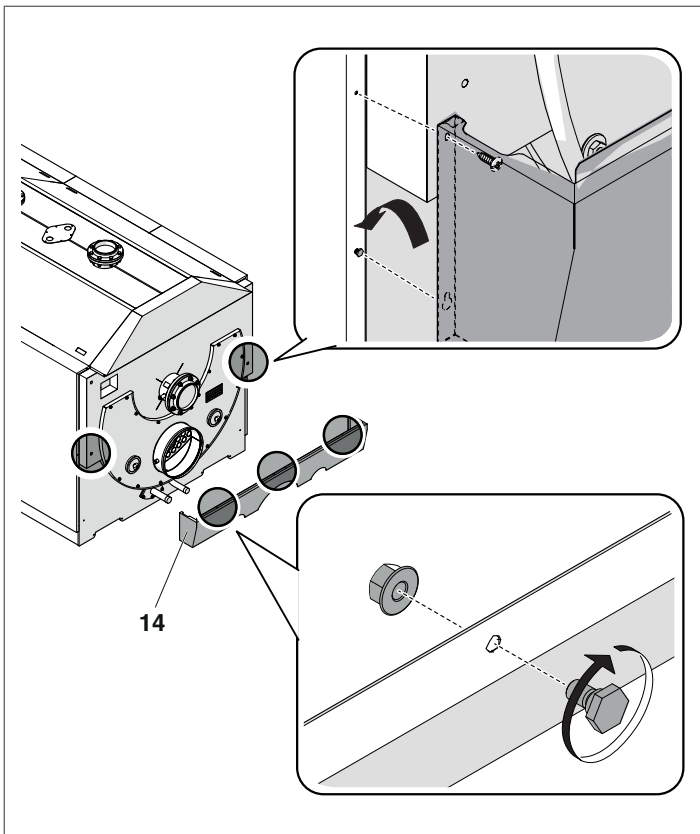
- Hook the upper rear panel (13) to the provided pins.



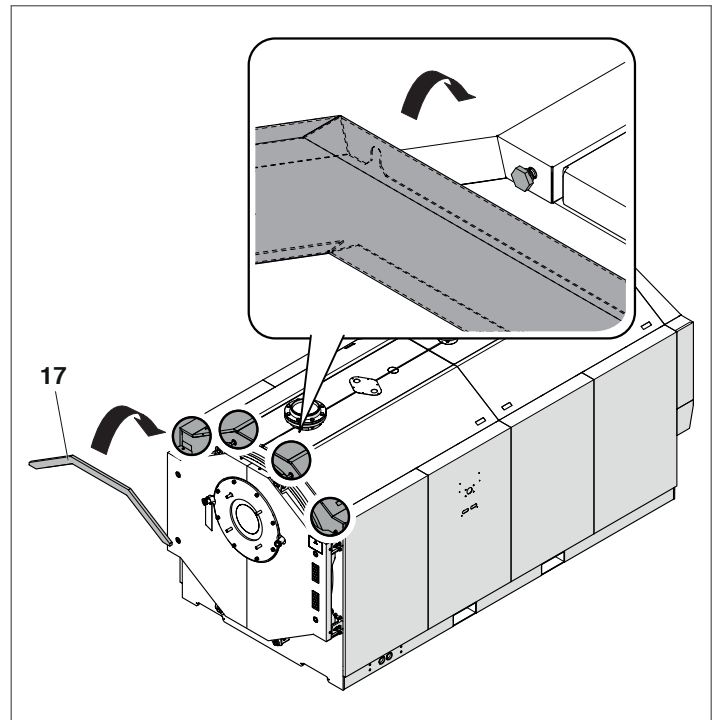
- Fit the central rear panels (15, 16), inserting them from the sides to hook them to the upper and lower pins of the side panels.



- Screw the four screws (used as fixing points) on the lower profile of the rear panel (14), hook the profile to the provided pins and fix it with two self-threading screws.



- Fit the front profile (17) by hooking it to the pins of the upper panels.



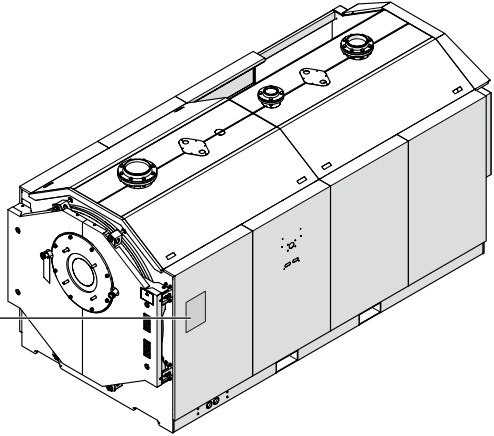
Once the panelling has been fitted, attach the follow adhesive labels:

- 1 Data plate:** this lists the technical specifications and performance of the product. It comes inside the documentation envelope.
- 2 Siphon cleaning label:** this label serves as a reminder to clean the siphon and the connecting pipes.


The labels can be found in the document pouch. The appliance installer MUST apply these labels, as shown in the figure below, once installation is complete. They must be visible. If the labels are lost, please request new ones from the **IDEAL** Technical Assistance Service.

1

ideal <small>HEATING</small>		<small>Ideal Boilers Ltd, PO Box 103, National Avenue, Kingston Upon Hull, HU5 4JN</small>		CE
<small>066940IE</small>				
CALDAIA IN ACCIAIO STEEL BOILER				
Modello Model	<input type="text"/>	Matricola Serial number	<input type="text"/>	
Codice Code	<input type="text"/>	Codice PIN PIN number	<input type="text"/>	
Anno fabbricazione Year of manufacture	<input type="text"/>	Tipo Type	<input type="text"/>	
Portata term. Max. heat input	<input type="text"/> kW	Pot. utile Max. useful heat output	<input type="text"/> kW	<input type="text"/> kW
Portata term. Min. heat input	<input type="text"/> kW	Pot. utile Min. useful heat output	<input type="text"/> kW	<input type="text"/> kW
Pressione focolare Furnace pressure	<input type="text"/> mbar	Contenuto acqua Water capacity	<input type="text"/> l	
Pres. Max esercizio Max operating pressure	<input type="text"/> kPa	Superficie di scambio Heat exchange surface area	<input type="text"/> m ²	
T [*] Max ammessa Max permitted T [*]	<input type="text"/> °C			
Aliment. elettrica Power supply	<input type="text"/>			
<small>VEDI QUADRO ELETTRICO - SEE ELECTRIC CONTROL PANEL</small>				
<small>Collegamento di terra obbligatorio - Obligatory ground connection</small>				
<small>Combustibile utilizzato : TUTTI I GAS / GASOLIO Fuel : GAS / OIL</small>				
<small>PER CATEGORIA COMBUSTIBILE E PAESI DI DESTINAZIONE</small>		<small>VEDI ETICHETTA BRUCIATORE SEE BURNER DATA PLATE</small>		
<small>FOR FUEL TYPE COUNTRY OF DESTINATION</small>				



2



**Verificare e pulire sifone e tubazioni di scarico condensa
ALMENO UNA VOLTA ALL'ANNO
come descritto nel libretto uso e manutenzione.**

**Check and clean the siphon and the condensate drain pipes
AT LEAST ONCE A YEAR
as instructed in the operation and maintenance manual.**

**Vérifier et nettoyer le siphon et les conduites d'évacuation
des condensats AU MOINS UNE FOIS PAR AN comme
indiqué dans la notice d'utilisation et d'entretien.**

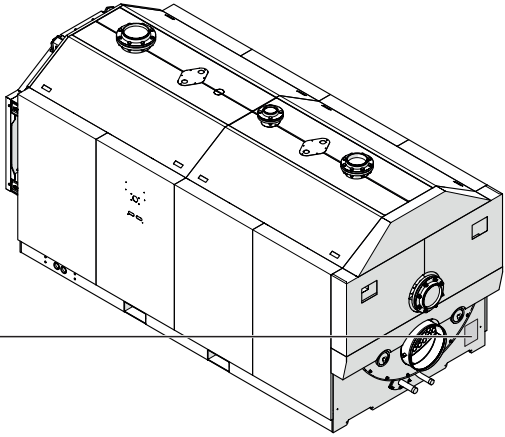
**Überprüfen und reinigen Sie den Siphon und die
Ablassleitungen des Kondenswassers entsprechend den
Angaben in der Betriebs- und Wartungsanleitung
MINDESTENS EINMAL IM JAHR.**

**Controleer en reinig sifon en condensafvoerleidingen
MINSTENS EENMAAL PER JAAR volgens de aanwijzingen in
de handleiding voor gebruik en onderhoud.**

**Controlar y limpiar el sifón y las tuberías de evacuación
condensación ANUALMENTE POR LO MENOS según las
indicaciones contenidas en el manual de uso y
mantenimiento.**

**Verificar e limpar o sifão e os tubos de drenagem de
condensação PELO MENOS UMA VEZ POR ANO, como
descrito no livro de instruções para uso e manutenção.**

2004/2796.1.FD

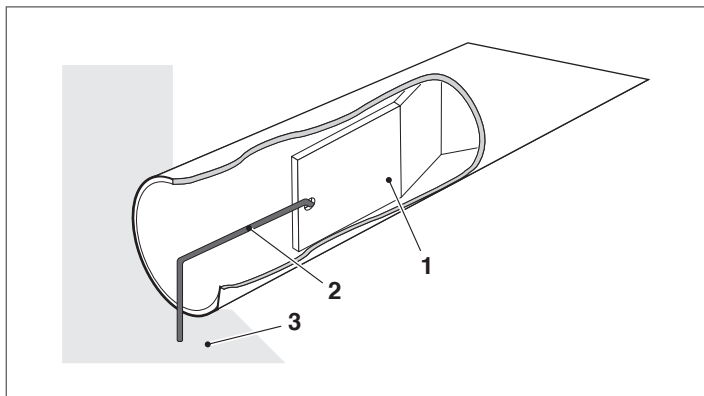


5 TECHNICAL ASSISTANCE SERVICE

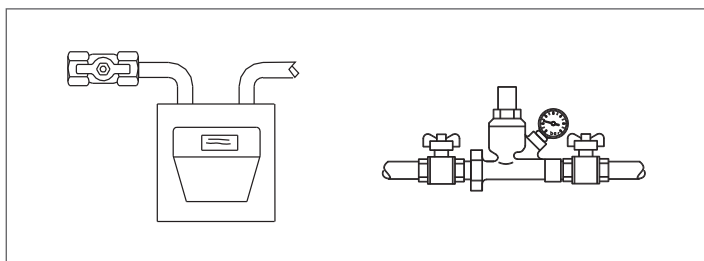
5.1 Preparing for initial startup

It is essential to perform the following checks before starting up or testing the functioning of your **IDEAL EVOJET** boiler. In particular, check that:

- The turbulators (1) are correctly positioned (vertical position) inside the heat exchanger tubes and the clips (2) are resting against the wall (3) of the heat exchanger



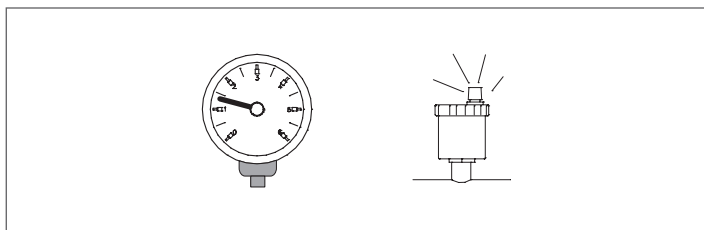
- The water and gas cocks are open



- The expansion vessel is properly charged

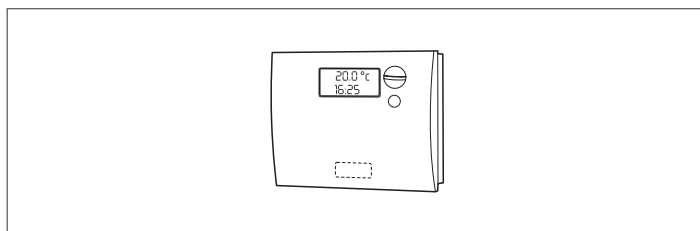


- The working pressure in the heating circuit is over 1 bar but below the maximum limit specified for the boiler
- The water circuits have been properly bled



- The condensate discharge siphon has been filled with water

- The mains power connections to the boiler and its accessories (burner, pump, control panel, thermostats, etc.) have been properly made.



! The phase-neutral polarity has been respected.

! A ground (earth) connection is obligatory.

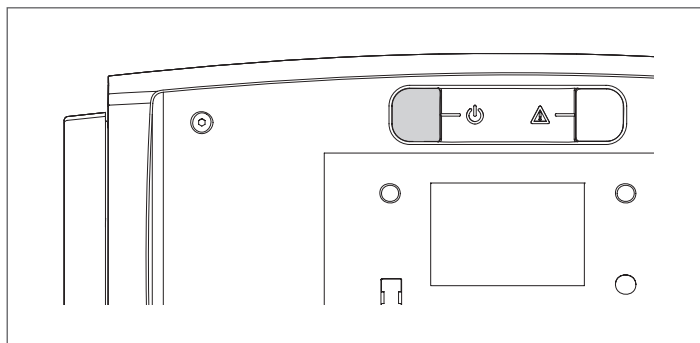
5.2 Initial startup

Once you have completed all the preparatory steps, proceed as follows to start up the boiler for the first time:

- Turn the boiler's mains power switch ON
- If the system is equipped with a temperature controller or timer thermostat, make sure that it is switched on



- Turn the control panel power switch ON and make sure that the green power indicator lights
- Make the settings as instructed in the instruction manual for your control panel



- Adjust the timer thermostat/s or temperature controller to the desired temperature (~20°C);

The burner should now ignite and remain in operation until the set temperature is reached.

If any ignition faults or malfunctions occur, the burner performs a "LOCKOUT SHUTDOWN". This is shown by the red button light on the burner and by the warning light on the control panel.

⚠ If a "LOCKOUT SHUTDOWN" occurs, wait about 30 seconds before resetting the burner.

To reset the burner, press the red button light on the burner and wait until the flame ignites.

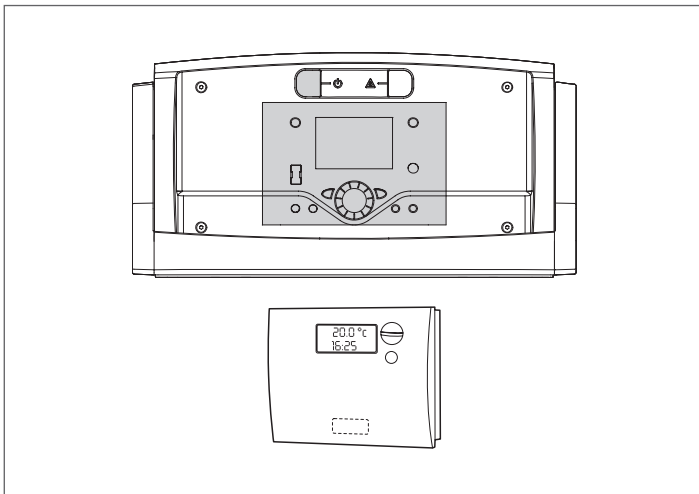
This operation can be repeated 2 or 3 times at the most. If the problem still persists after that, check:

- Check that all the instructions in the burner manual have been performed properly
- Check that the instructions in the 'Preparing for Initial Startup' section have been performed properly
- Check that all the electrical connections shown on the control panel wiring diagrams have been performed properly.

5.3 Checks during and after initial start-up

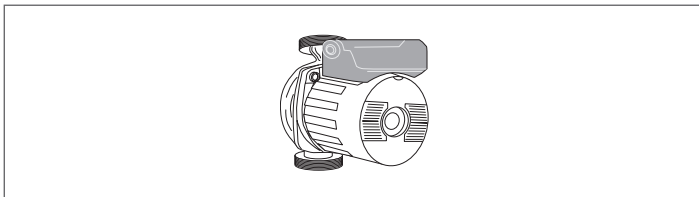
Once the boiler has started up, make sure that it shuts down and re-starts properly when the following actions are taken:

- Set the boiler thermostat to the required setting (making sure that the temperature control is in manual mode)
- The control panel is switched OFF
- Set the room thermostat or timer to the required temperature.

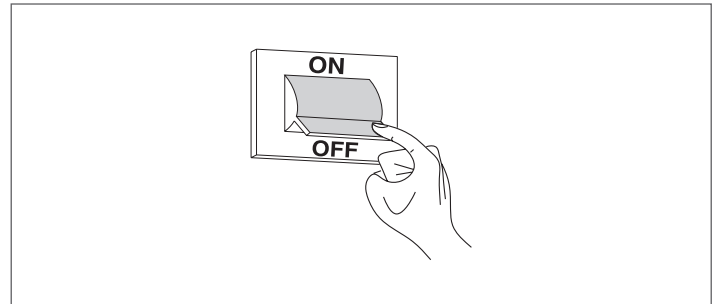


Make sure that there are no leaks around the boiler door seal. If you detect any leakage of fumes, increase the tightening of the door fixing bolts.

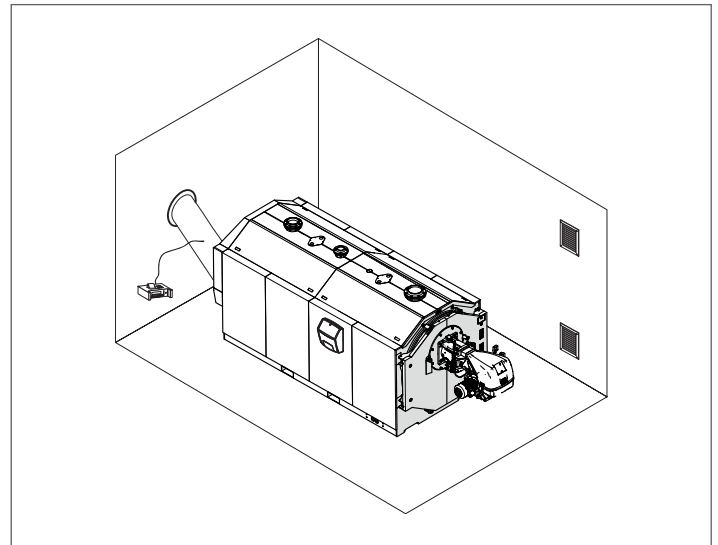
Make sure that all the pumps in the system are free and rotate in the right direction.



Turn off the main power switch to the boiler and make sure that the boiler shuts down properly.



Provided all the above conditions are satisfied, start the boiler up again, then analyse the combustion fumes, measure fuel flow and re-check the door seal.

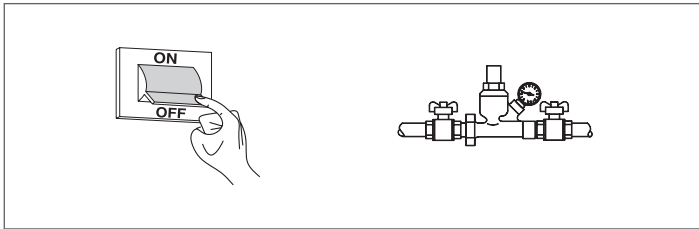


5.4 Maintenance

Regular maintenance is a legal requirement. It is also essential for the safety, efficiency and durability of the boiler. Proper maintenance keeps consumption and emissions down, and ensures that the boiler continues to operate reliably over time. Have your boiler serviced either by **IDEAL's** Technical Assistance Service or by a qualified heating engineer.

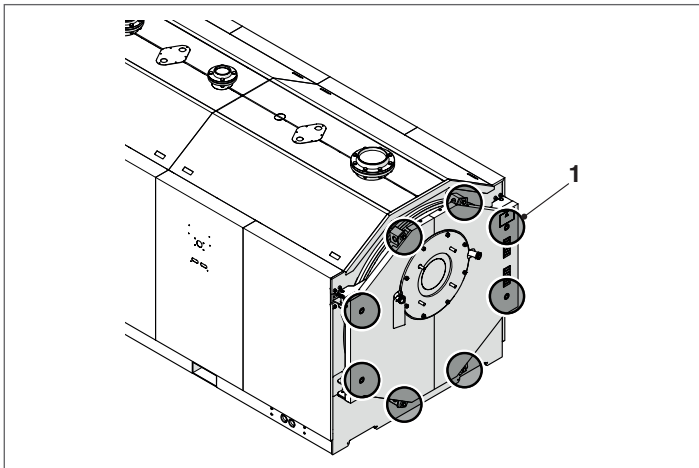
Analyse the combustion fumes before commencing any maintenance. The results of fume analysis can give a clear idea of what servicing or repairs are needed.

- Turn the system's main power switch OFF
- Close all the gas cocks.



Door opening

To open the door simply completely unscrew the main locking nuts (1) that support themselves on the structure.

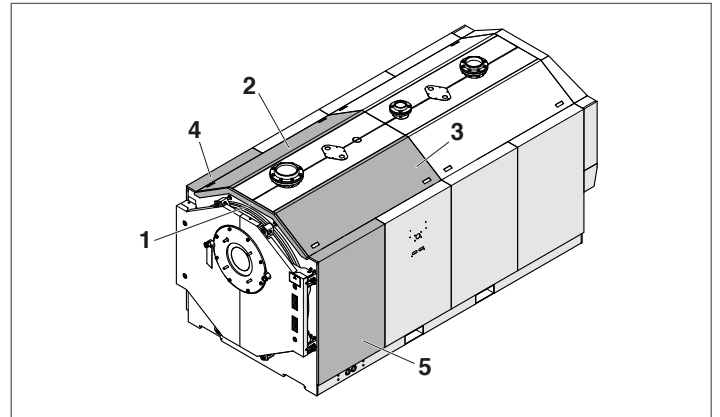


To avoid dangerous leaks of combustion gases, the door must be constantly and uniformly resting on the double gaskets. For adjustment, follow the instructions in paragraph "Adjusting the door".

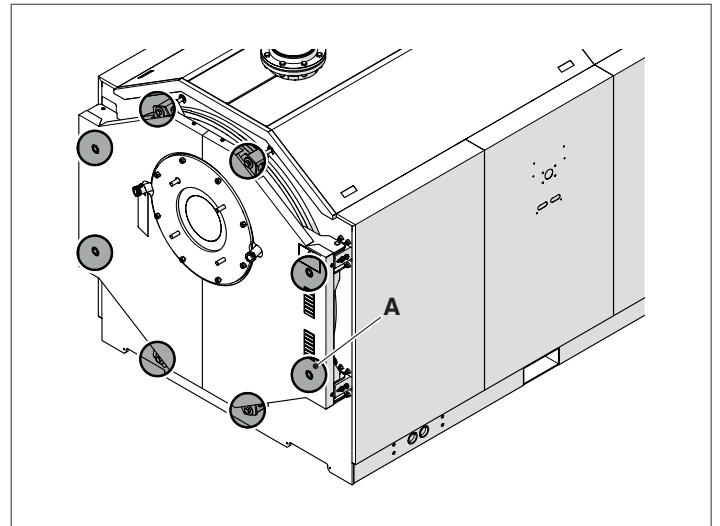
5.5 Adjusting the door

Make quite sure that the door presses uniformly all around the double seal to prevent dangerous fumes escaping into the air from the pressurized furnace. Proceed as follows to adjust the door seals:

- Remove the upper profile (1), the upper panels (2) or (3) and side panels (4) or (5) depending on the opening direction of the door.



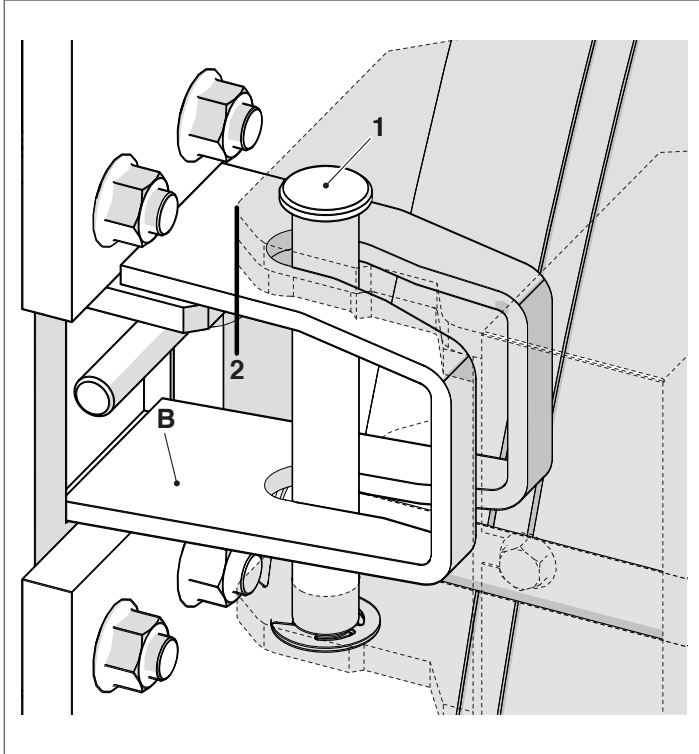
- All door adjustment operations must be carried out by loosening all the screws (A), using a 27 mm hexagonal socket wrench.



Before proceeding with the adjustment of the door:

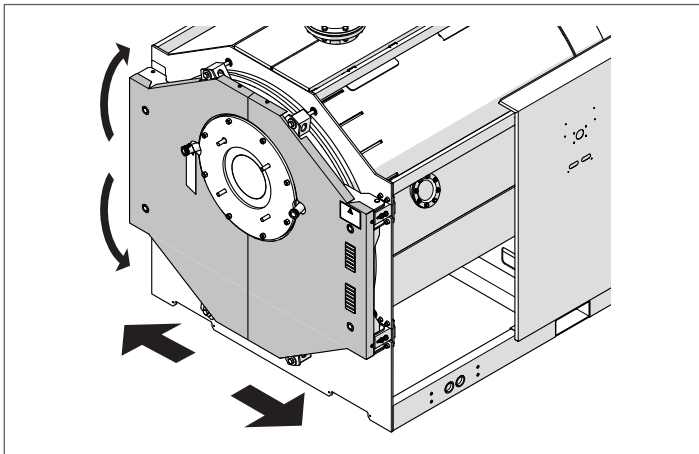
- Check that the pin (1) on the door slides freely in the centre of the slot on the support/centring bracket (B).
- Check that the door profile (2) rests on the support/centring bracket (B),

If one of these two conditions is not met, proceed with the adjustment operations described on the following pages.



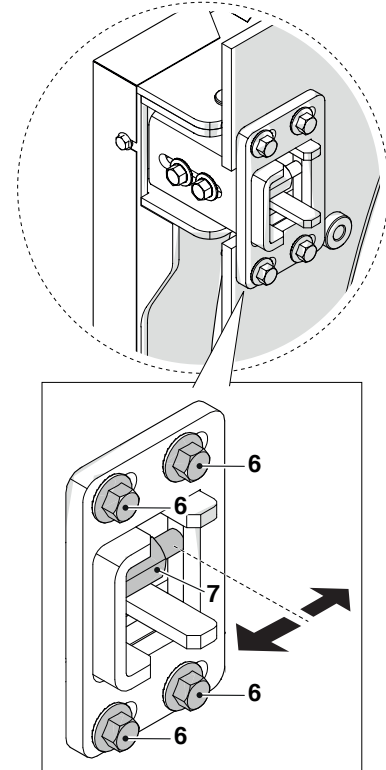
⚠ The pin (1) must not be used as a handle to close the door.

Door balancing

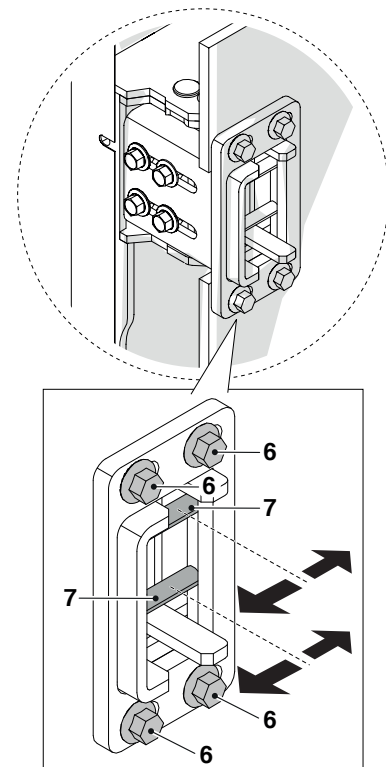


- Loosen the screws (6) of the upper hinge and act on the adjustment screw (7) to correct the horizontal alignment of the door opening/closing.
- Once the operation is completed, completely tighten the screws (6) of the upper hinge.
- Check the correct opening/closing of the door.

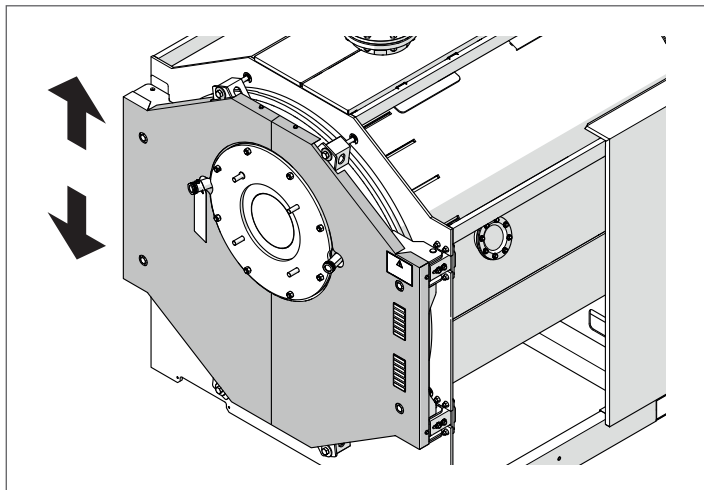
EVOJET 1750-2600



EVOJET 3000

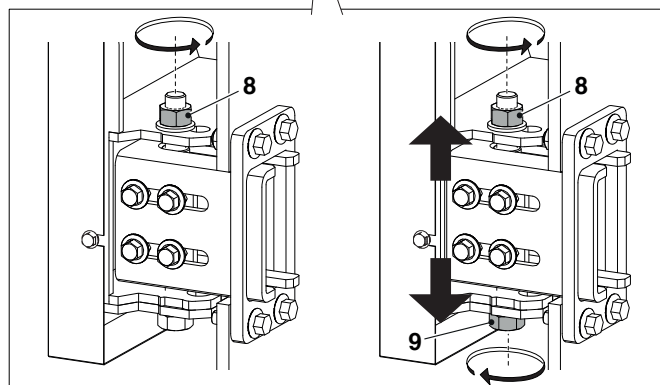
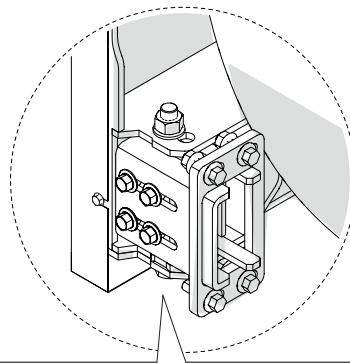


Door height adjustment

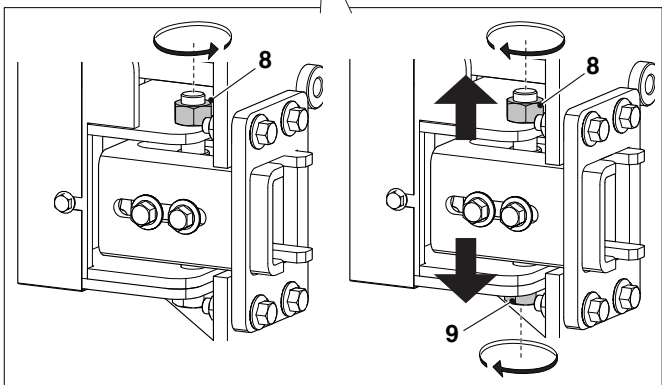
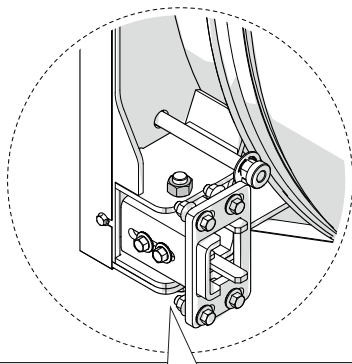


- Loosen the nut (8) of the lower hinge and adjust the vertical alignment of the door opening/closing by turning the screw (9).
- Once the operation is completed, tighten the nut (8) completely.
- Check the correct opening/closing of the door.

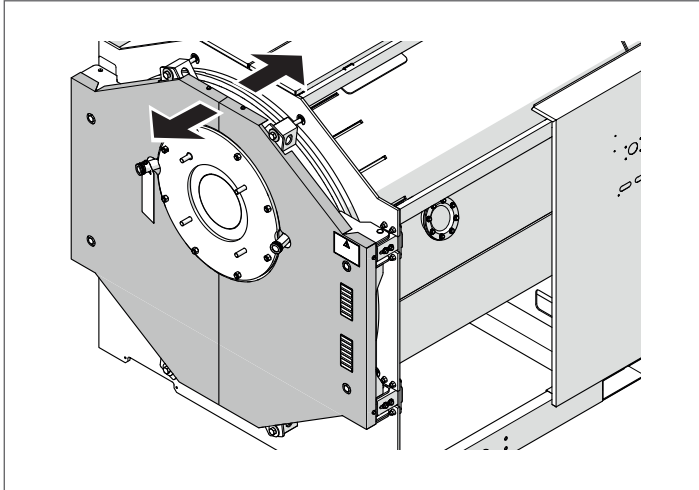
EVOJET 3000



EVOJET 1750-2600

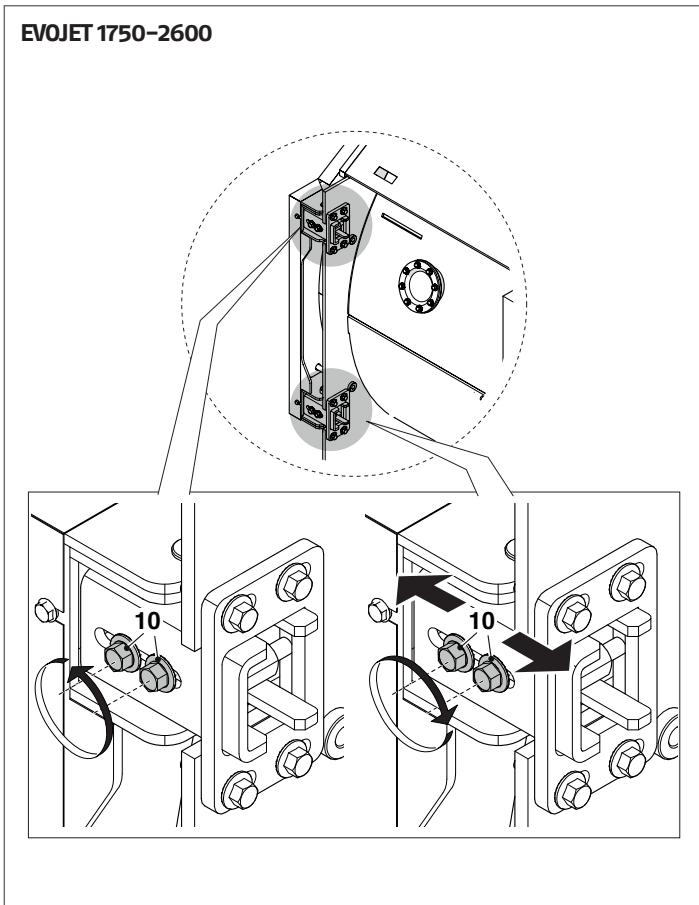


Door seal adjustment

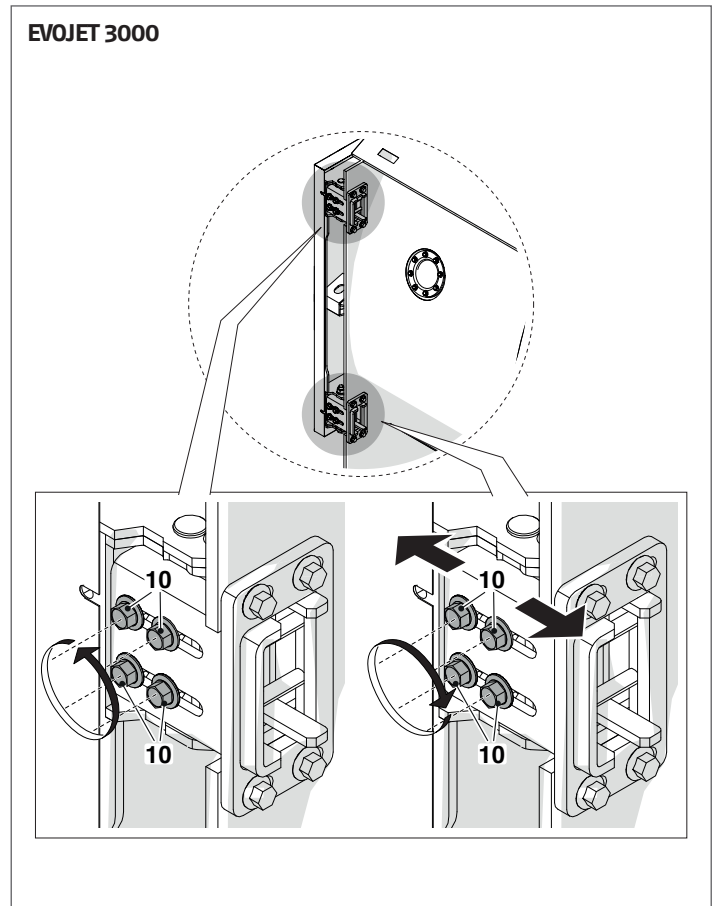


- Loosen the screws (10) of the upper and lower hinge and adjust the position of the door until the gaskets start to squash.
- Check that the door is resting evenly on the double gaskets.
- Once the operation is completed, completely tighten the screws (10) of the upper and lower hinge.
- Check the correct opening/closing of the door.

EVOJET 1750-2600

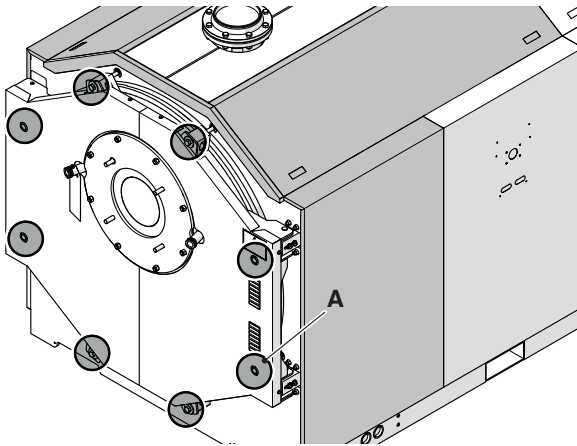


EVOJET 3000

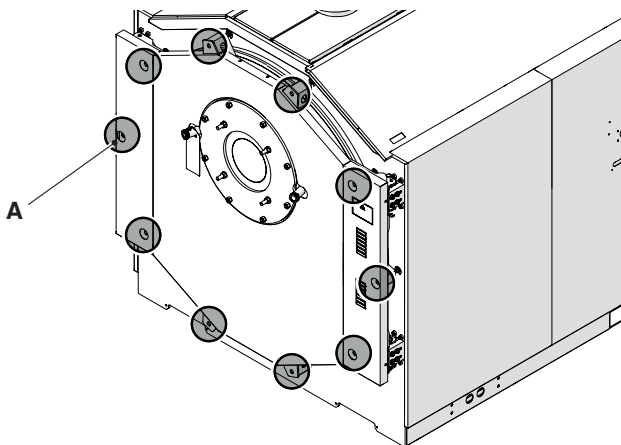





- Fully tighten the door locking bolts (A), using a 27 mm hexagonal socket wrench.

EVOJET 1750-2600



EVOJET 3000



-  Make sure that there are no leaks around the boiler door seal. If you detect any leakage of fumes, increase the tightening of the door fixing bolts.
-  Make sure that the door is properly adjusted after every maintenance operation.
-  Make sure that the door is properly adjusted after every maintenance operation.

5.6 Cleaning the boiler

⚠ DANGER: Risk of death due to electric shock!
 - Prior to opening the unit: disconnect the power supply and block it to prevent accidental reactivation.

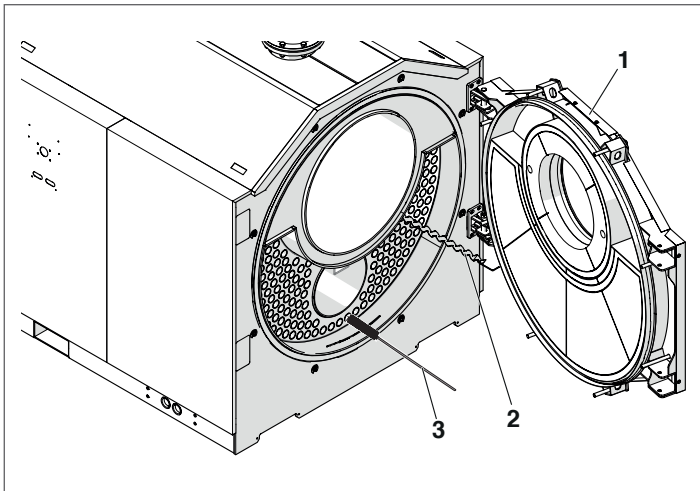
⚠ WARNING: Damage to the system!
 - Do not use abrasive cleaners or powder detergents.

⚠ WARNING: The combustion chamber and flues must be cleaned periodically - at least once a year - by a qualified technician.

The cleaning of the boiler and the removal of carbon deposits from the exchange surfaces must be carried out at least once a year.

This is an essential condition for the life of the boiler and to maintain the thermotechnical performance (economy of consumption).

- Open the front door (1);
- Remove the turbulators (2), check their state of wear and the opening of the fins (replace if necessary);
- Clean the internal surfaces of the combustion chamber and the flue gases using a brush (3) or other suitable tools.



- Remove the residues removed from the flue gases chamber through the inspection openings (4).

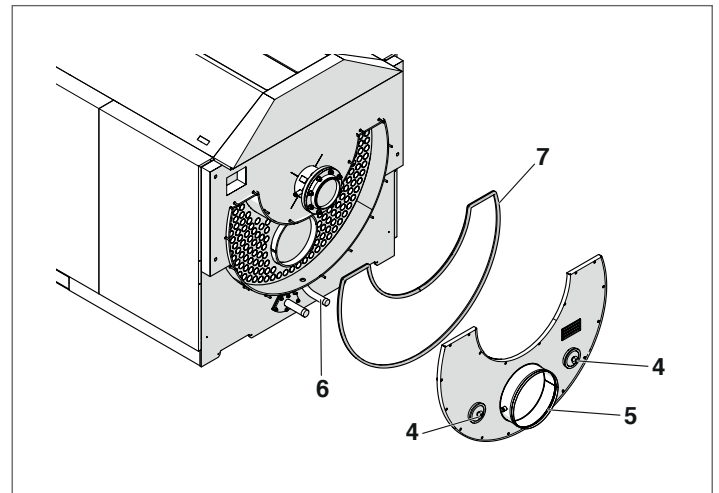
If more thorough cleaning is needed:

- Remove the external panels.
- Unscrew the fixing bolts and pull energetically to remove the flue gases chamber closure (5).
- Check at regular intervals that the condensate drain outlet (6) is not blocked.
- If necessary, replace the sealing gasket (7).

Proceed as follows on completion of cleaning:

- Reposition the turbulators in the smoke pipes, checking that the stop is in contact;
- Reassemble the components operating in the reverse order to that described.

Apply a tightening force of 8 Nm to the retaining nuts.



5.7 External cleaning

The external panels of the boiler and control panel must be cleaned using cloths moistened with soap and water. To remove marks from the boiler casing, use a cloth damped in a 50% mix of water and denatured alcohol or a suitable cleaning product. Carefully dry after cleaning.

⊖ Do not use abrasive products, petrol or triethylene.

5.8 Boiler inspection – water-side

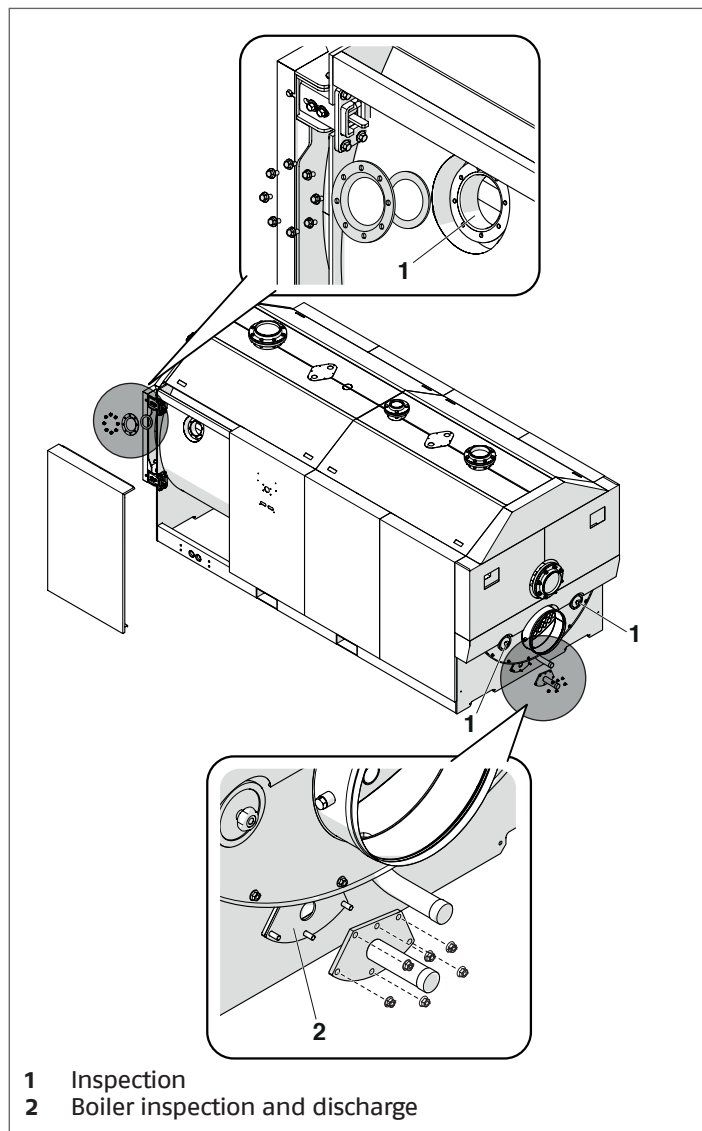
Carrying out the inspection is important in order to check the condition of thermal exchange surfaces and the presence of sludge or lime scale.

To make the inspection, maintenance and cleaning operations of the internal parts easier and to reduce intervention times, the front door and the closure of the flue gases chamber are completely openable.

⚠ All the operations indicated MUST be carried out with:

- The appliance cold
- The appliance electrically disconnected
- Suitable personal protection equipment
- The water and fuel shut-off valves closed

In order to inspect the upper part of the boiler, partially empty the boiler before opening inspection openings. The inspection openings are as follows:



The boiler must be completely emptied if the rear inspection door (2) has to be opened.

Check the state of wear of the gaskets and replace them if necessary.

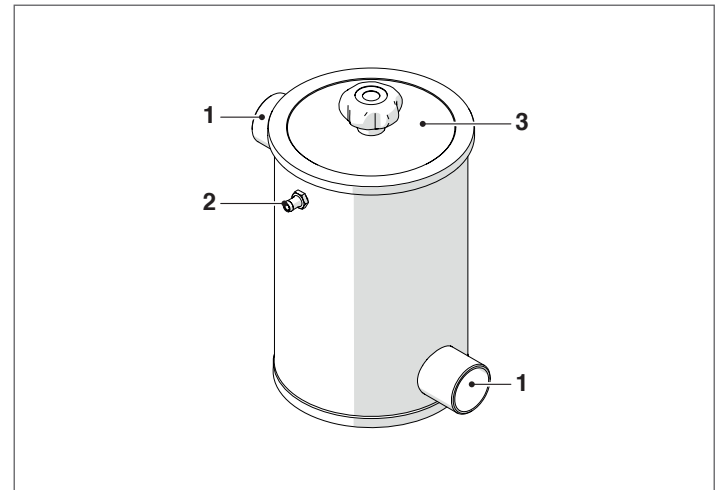
Once the maintenance operations are complete, refit the components working in the opposite direction of what was described.

Slowly fill the boiler up to a minimum pressure value of 1 bar.

⚠ Check that the boiler drain cock is closed prior to filling.

Clean condensation trap

- Disconnect the corrugated condensate outlet pipes (1) and the tapping point pipe (2), and remove the inspection cover (3).



⚠ It is mandatory to check and clean the condensation trap and pipes, up to the collection/drain point, at least once a year.

On completion of cleaning, follow the above steps in the reverse order to refit all removed parts.

5.9 Troubleshooting

FAULT	CAUSE	SOLUTION
The boiler does not reach its temperature setpoint	Boiler dirty	– Clean the flue gas pipes
	Heat exchanger and burner mismatched	– Check specifications and settings
	Burner capacity insufficient	– Check and adjust the burner
	Control thermostat faulty	– Check correct functioning – Check the temperature setting
The boiler keeps shutting down, and the control panel warning light comes on	Control thermostat faulty	– Check correct functioning – Check the temperature setting – Check the electrical wiring – Check the sensors
	No water supply Air in the circuit	– Check the circuit pressure – Check the vent valve
The generator is at temperature but the heating system is cold	Air in the circuit	– Bleed the circuit
	Pump malfunctioning	– Check/unseize the pump
	Problem with minimum temperature thermostat (if present)	– Check the temperature setting
There is a smell of fumes	Fumes escaping into the air	– Clean the boiler body – Clean the flue gas pipes – Check that the boiler, flue pipes and flue gas exhaust stack are all properly sealed
The safety valve keeps opening	Incorrect circuit pressure	– Check the circuit pressure – Check pressure reducer functioning – Check pressure reducer setting
	CH expansion vessel	– Check the efficiency of the expansion vessel
There are traces of condensate on the rear head	Flue gas box seals	– Check the seals between the rear head and the flue gas box



At Ideal Heating we take our environmental impact seriously, therefore when installing any Ideal Heating product please make sure to dispose of any previous appliance in an environmentally conscious manner. Households can contact their local authority to find out how. See <https://www.gov.uk/managing-your-waste-an-overview> for guidance on how to efficiently recycle your business waste.

Technical Training

Our Expert Academy offer a range of training options designed and delivered by our experts in heating. For details please visit: expert-academy.co.uk

Ideal Boilers Ltd., pursues a policy of continuing improvement in the design and performance of its products. The right is therefore reserved to vary specification without notice.

Ideal is a trademark of Ideal Boilers.

Registered Office

Ideal Boilers Ltd., National Avenue, Hull, East Yorkshire, HU5 4JB

Tel 01482 492251 Fax 01482 448858

Registration No. London 322 137

EU Authorised Representative:

Atlantic SFDT

44 Boulevard des Etats-Unis, 85 000 La Roche-Sur-Yon, France

+33 (0)2 51 44 34 34

Ideal Technical Helpline: 01482 498663

Ideal Consumer Helpline: 01482 498660

Ideal Parts: 01482 498665

idealheating.com

ideal
HEATING